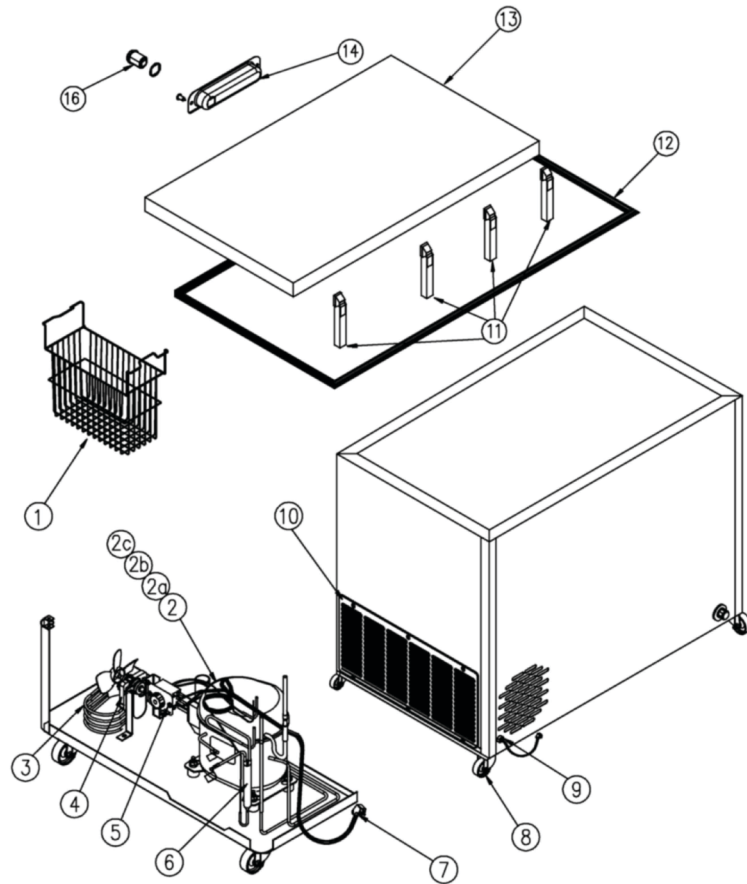


NCFH-68 Parts and Descriptions



ITEM #	PART #	DESCRIPTION
1	100589083	Wire Basket, NCFH
2	100397139	Compressor, Embraco EM2X1125U
2a	100523026	Overload, Embraco EM2X1125U
2b	100524022	Start Relay, Embraco EM2X1125U
2c	100517074	Start Capacitor, Embraco EM2X1125U
3	101093012	Precondenser, NCFH
4	100478016	Motor, Condenser
5	100398024	Temperature Control, Mechanical
6	100773000	Drier, Refrigerant
7	100388010	Power cord, NBH
8	100476016	Caster, NBH/NCFH
9	100495001	Strain Relief
10	101141013	Vent Cover, Side Grill, NCFH
11	300178002	Hinge, Chest Freezer, NCFH
12	300484035	Magnetic Door Gasket, NCFH-68
13	181471018	Lid Assembly, NCFH-68, with handle, lock and gasket w/o hinges
14	103225001	Plastic Door Handle, NCFH
16	100581004	Lock Set, NCFH



460 Southport Commerce Blvd.
 Spartanburg SC 29306
 Phone: 864-574-6004
 Fax: 864-574-6005
 www.ojedausa.com
 sales@ojedausa.com