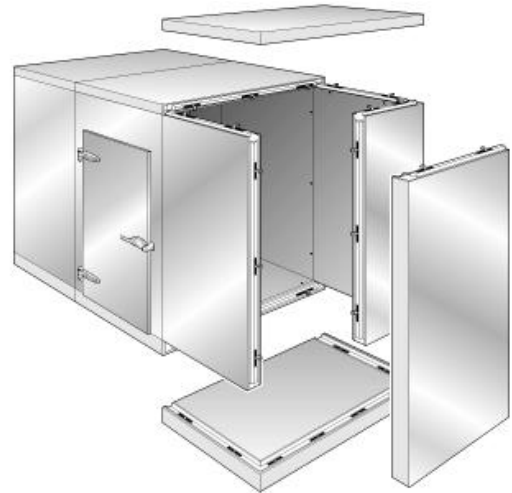


Walk-in Cold Storage Rooms

- Prefabricated modular construction, designed for nominal size, easy field installation and future disassembly, enlargement or relocation
- Low density "soft-nose" panels in 4" thickness
- Panels are NSF listed
- Panels are UL listed, Class 1 fire rated using a non-HCFC propellant

Panel Insulation

- CFC free Class 1 fire rated polyurethane foam core, UL-723, ≤ 25 flame spread and smoke developed ≤ 450 , in accordance with ASTM E84
- Urethane, as specified, shall be foamed in place and cured to a solid rigid state between metal panel skins at an average density of 2lbs per cubic feet
- K factor of foam is .125
- Insulation contains 97% closed cell structure with an average two pounds per cubic foot density and conforms to international standards for ozone depletion contribution



Standard Finishes

- The interior and exterior of the panels shall be stucco galvalume steel

Swing Doors

- Cooler and freezer door sizes are 30" x 75", flush G3 construction with PVC frame and jamb assembly with magnetic gaskets
- Freezer doors include frame and threshold heaters
- Door finishes match panel finishes inside & out
- Doors are self closing with two W59, spring assisted, field adjustable hinges and Kason 1094 hydraulic door closers
- Door handles are cylinder locking with deadbolt capability with inside safety release
- Door frames include toggle switches with pilot light & 2" flush mount thermometers
- Freezer door frames include heated air vent
- Doors include LED vapor proof light fixture, mounted

Floors (if floor is specified)

- Pre-fabricated floors are rated to withhold foot traffic, hand trucks, and rolling carts
- Floors are NSF approved and include NSF cove formed and foamed in place in the floor panel
- Wear surface includes .080" smooth aluminum
- Underlayment is 1/2" for additional support
- Perimeter of floor is high density

Refrigeration (Split System)

- Refrigeration is sized for holding only standards
- Coolers to be designed for 35° operating temp
- Freezers to be designed for -10° operating temp
- Coolers to include air defrost timer, freezers to include electric defrost timer
- R404a refrigerant, 208/1 outdoor condensing units
- Factory mounted parts

Refrigeration (Self Contained)

- Refrigeration is sized for holding only standards
- Coolers to be designed for 35° operating temp
- Freezers to be designed for -10° operating temp
- Coolers to include air defrost timer, freezers to include electric defrost timer
- R404a refrigerant, 208/1 outdoor condensing units

Warranty

- Panels include 15 year performance warranty
- Parts include a 1 year replacement warranty
- Door plugs include a 5 year performance warranty
- Refrigeration includes 1yr parts and labor warranty
- Compressor(self contained) includes 3yr extended warranty
- Compressor(split system) includes 4yr extended warranty