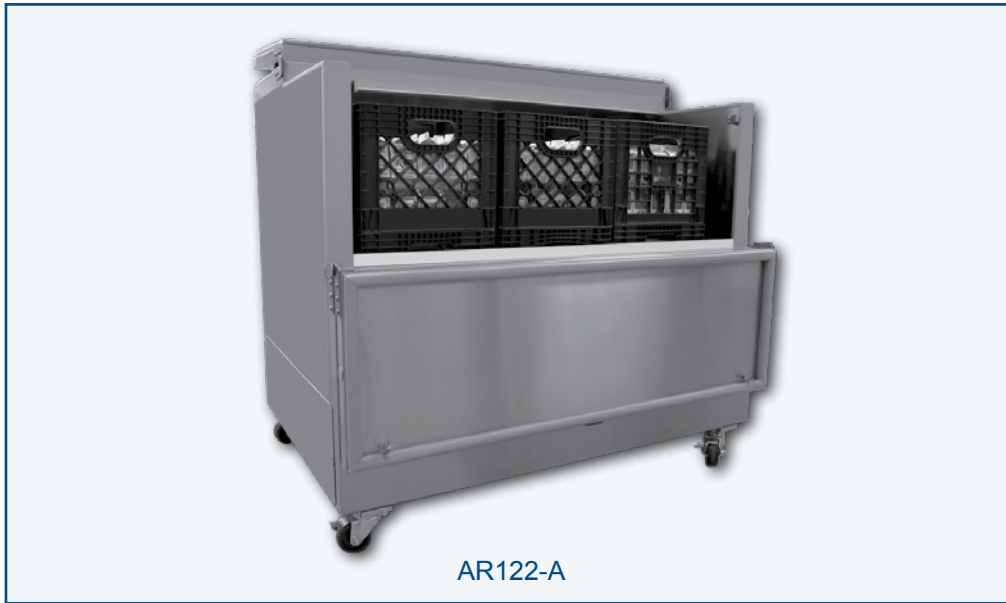




NOR-LAKE, INCORPORATED
727 Second Street
Hudson, Wisconsin 54016

800-955-5253
715-386-2323
866-961-5253 Parts
800-388-5253 Service
715-386-6149 FAX
www.norlake.com

OPEN FRONT MILK COOLERS



PROJECT:
.....
ITEM NUMBER:
.....
MODEL NUMBER:
.....

OPEN FRONT MILK COOLERS

SPECIFICATIONS FOR: AR082-A, AR122-A & AR162-A

- **Exterior Finish:** The self-service doors are stainless steel, the remaining exterior is white enamel over smooth steel. The remaining exterior is available in stainless steel (shown). There are no exposed raw edges since all exterior joints and seams fold in without lap joints.
- **Interior Finish:** The self-service doors and the remaining interior is galvanized steel. Stainless steel interior is available as an option.
- **Insulation:** The cabinet is insulated with 2 inches foamed-in-place polyurethane insulation.
- **Hardware:** The milk coolers are equipped with easy roll locking swivel casters and heavy duty floor racks. The gasketed, insulated door with chrome plated hinges opens for small child self service, closes and locks. A drain is standard with every unit.
- **Instrumentation:** Thermometer measures temperature in °F.
- **Refrigeration:** Self-contained R-134a refrigeration system. The evaporator is a cold wall evaporator in the cabinet with no moving parts which allows more room for product. The condenser is an air cooled, copper tube and aluminum finned coil which is mounted on the base of the unit. Compressor is 1/5 HP. Adjustable temperature control to optimize product temperature. Operating temperature: 38°F.
- **Electrical:** 115 volt, 60 Hz, 1 phase with cord and plug.
- **Capacity:**

	Cases with Cartons				Loose Carton (without cases)			
	13 x 13 x 11H		19 x 13 x 11H		Flat Top		Peaked Top (Gable)	
	Cases	Cartons	Cases	Cartons	1/2 Pt.	1 Pt.	1/2 Pt.	1 Pt.
AR082-A:	8	352	4	288	864	432	680	430
AR122-A:	12	528	8	576	1368	684	1020	645
AR162-A:	16	704	12	864	1800	900	1360	860

STANDARD FEATURES

- Adjustable temperature control
- Air cooled condensing unit
- Cold wall evaporator
- Exterior stainless steel doors
- Fold back doors
- Four swivel casters, two locking
- Gasketed locking doors
- Epoxy coated heavy duty floor racks
- White exterior
- Interior galvanized steel
- Keyed lock
- NSF listed thermometer and drain
- Corner bumpers
- Operating temperature: 38°F
- Power cord and plug furnished
- **Stocked for same day shipment**
- UL, C-UL, UL Sanitation listed**
- Warranties: 3 year parts and labor, 5 year construction, 5 year compressor

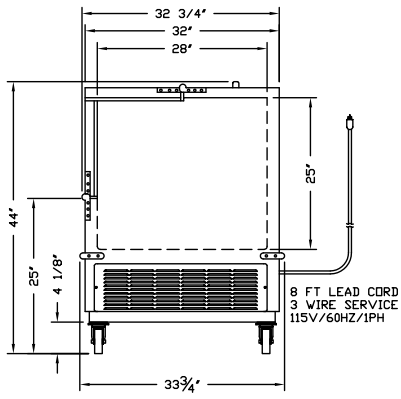
OPTIONAL FEATURES*

- Laminate for top, front, sides and back
- Stainless steel exterior
- Stainless steel interior

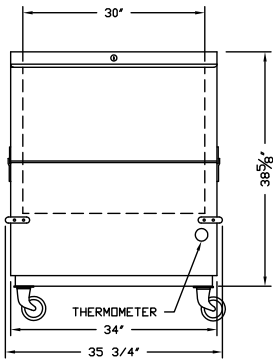
*Most options are available one week from receipt of order. Please contact us for specific questions.

**C-UL is Underwriters Laboratories Safety Certification Mark which indicates that UL has tested the equipment to applicable CSA Standards.

**UL Sanitation is Underwriters Laboratories Sanitation Mark which indicates that UL has tested the equipment to applicable NSF Standards.

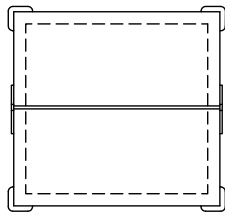


SIDE VIEW (ALL MODELS)

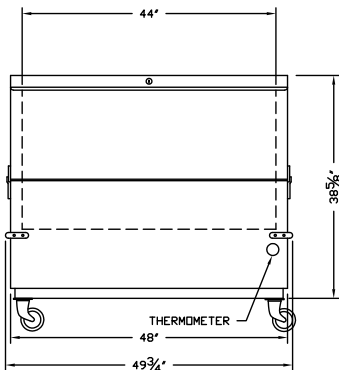


FRONT

AR082-A

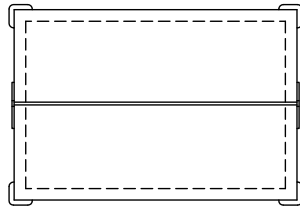


TOP

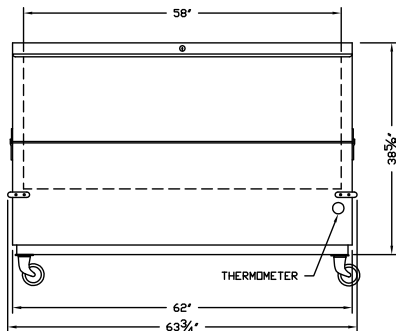


FRONT

AR122-A

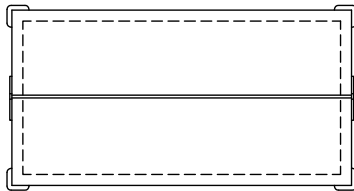


TOP



FRONT

AR162-A



TOP

SPECIFICATIONS

Model	AR082-A	AR122-A	AR162-A
Crated Height	43"	43"	43"
Crated Width	37-1/2"	51-1/2"	65-1/2"
Crated Depth	36"	36"	36"
Crated Weight (lbs.)	326	352	484
Interior Height	25"	25"	25"
Interior Width	30"	44"	58"
Interior Depth	28"	28"	28"
Overall Height	44"	44"	44"
Overall Width	35-3/4"	49-3/4"	63-3/4"
Overall Depth	33-3/4"	33-3/4"	33-3/4"
Gross Cubage (ft ³)	12.15	17.8	23.5
Number of Floor Racks	2	3	4
Number of Casters	4	4	4
Condensing Unit Size	1/5 HP	1/5 HP	1/5 HP
Refrigerant	R-134a	R-134a	R-134a
Electrical Characteristics	115/60/1	115/60/1	115/60/1
Cord and Plug Furnished	Yes	Yes	Yes
Nema Plug Configuration	5-15P	5-15P	5-15P
Total Amp Draw	3.3	3.1	3.3

Specifications subject to change without notice.



Revision Date: 8/18
Part Number: 090743