

# MODULAR CASHIER STAND

## QS SERIES



Item # \_\_\_\_\_ Quantity \_\_\_\_\_  
 Project \_\_\_\_\_

*Quick-Ship Lead Time With  
 Flexible Design Options*

### OPTIONS & ACCESSORIES

#### Counter Heights

- 34" high (standard)
- Available between 30" to 36"  
Specify \_\_\_\_\_
- ADA compliant

#### Front Inset Panels

- Stainless steel (standard)
- Plastic Laminate
- Graphic Panel

#### Countertop Material

- 14-gauge stainless steel (standard)
- Zodiaq® quartz
- Corian® solid surface

#### Tray Slide Options

- Additional tray slide (for #CSE-30-QS)
- "V" ridge stainless steel
- Flat stainless steel
- Zodiaq® quartz
- Corian® solid surface
- Stainless steel runners

#### Electrical Options

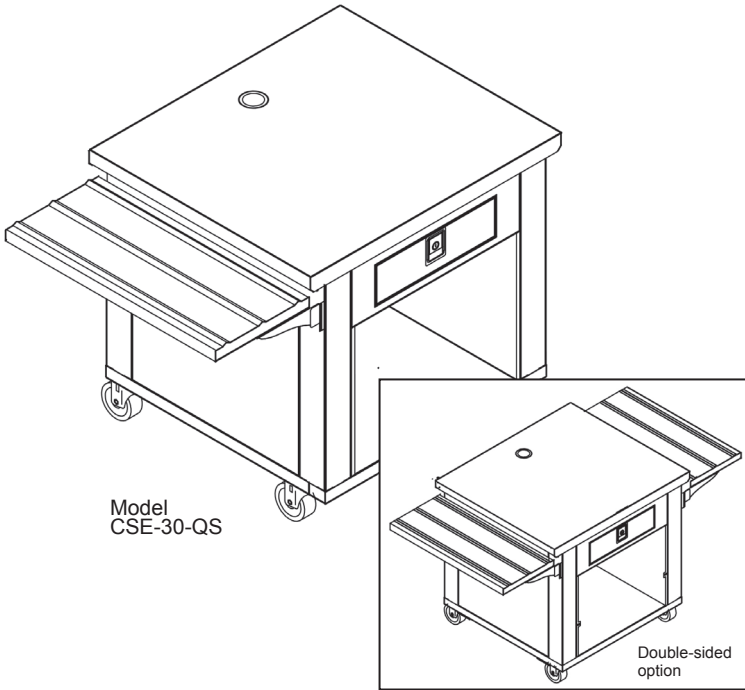
- Duplex outlet, flush
- Duplex outlet, pedestal

#### Other Options/Accessories

- 6" casters
- 6" adjustable stainless steel legs
- Locking cash drawer
- Double-sided counter

#### Electrical Options

- Duplex outlet, flush
- Duplex outlet, pedestal



### MODELS

- CSO-30-QS
- CSE-30-QS

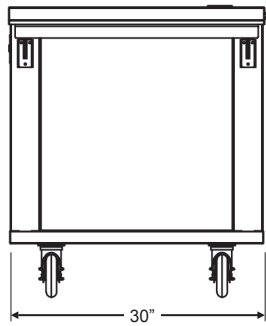
- ▶ Durable welded stainless steel unibody construction
- ▶ Heavy duty 14-gauge stainless steel countertop
- ▶ Removable exterior front and end stainless steel insert panels
- ▶ End and back operator versions
- ▶ Full-length 12" drop-down tray slide
- ▶ Locking cash drawer with tray
- ▶ Grommet hole (3") in top for electric
- ▶ Line-up Locks coupling system latches QS modules together
- ▶ 6" heavy duty casters with brakes

### SPECIFICATIONS

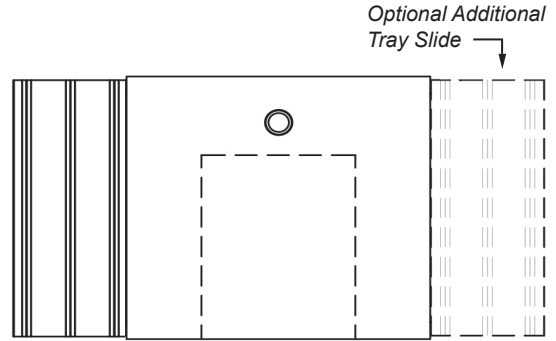
Shall be Multiteria **Model CSO-30-QS** or **CSE-30-QS** and shall be of 16-gauge stainless steel unibody construction. The front panel shall be easily removable and replaceable allowing front service access. Interior stainless steel undershelf is standard. Counter front and end insert panels shall be stainless steel and are removable for service and access. Laminate and graphic panels shall be available upon request. Counter top shall be 32" wide and fabricated of 14-gauge, #4 satin finish stainless steel with square turndown on all sides and corners fully welded, ground and polished. Top and undershelf shall have grommet hole for electrical accommodation. Unit shall include locking cash drawer with cash tray. Drop-down tray slide shall be 14-gauge with inverted "V" ridges on surface. Ends and sides shall be turned down square with all corners fully welded and polished. Support brackets to be adjustable stainless steel drop down type. Tray slides shall have a 1/4" height adjustability. Unit is mounted on 5" swivel type casters with brakes on all wheels (6" clearance). Twist-lock latch hardware system on tray slides shall securely fasten QS counter modules together.

# MODULAR CASHIER STAND

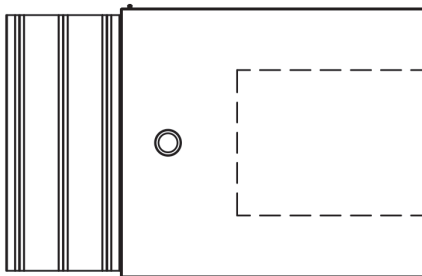
## QS SERIES



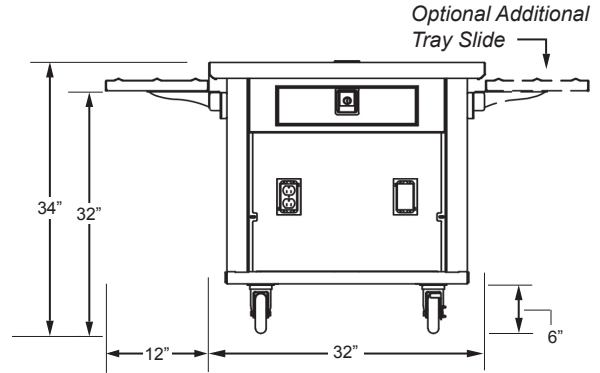
**Front View ▲**



**Plan View (End Operator) ▲**



**Plan View (Back Operator) ▲**



**End Operator View ▲**

### Model Detail

Model	Operator Position	Counter Size			Casters		Ship Wt. Lbs.
		W	D*	H	Type	Dia.	
CSE-30-QS	End	30"	32"	34"	All Swivel w/Brake	5"	164
CSO-30-QS	Back	30"	32"	34"	All Swivel w/Brake	5"	164

*\*With tray slide folded down.*



MULTITERIA • 1444 N FARNSWORTH AVENUE, SUITE 203 • AURORA, IL 60505  
OFFICE: 630.585.1369 FAX: 630.585.1397 WWW.MULTITERIAUSA.COM