



BEVERAGE-AIR

Project: _____	AIA#
Item: _____	SIS#
Location: _____	
Approved: _____	

UCR UNDERCOUNTER

UCR34HC Undercounter Refrigerator Hydrocarbon Series

**MODELS:
UCR34HC**



UCR34HC

**3 Year Parts/Labor Warranty
Additional 2 Year Compressor Warranty**

CABINET CONSTRUCTION

- Stainless steel front, sides, top, doors, (*galvanized steel back & bottom*)
- Interior liner is made of corrosion resistant aluminum
- Full electronic control
- Undercounter feature a 1/2" thick sub-top
- Interior thermometer is standard
- Self-closing doors with 120° stay-open feature, on cartridge style hinges
- Easy door removal for service and cleaning
- Magnetic gasket attached to each door for positive seal
- Painted aluminum door handles
- 6" Casters, two (2) with brakes standard
- Two epoxy-coated steel wire shelves standard
- Field reversible doors
- Refrigerators operate at 36°-38°F for optimum food preservation

OPTIONS & ACCESSORIES

- Stainless steel interior available
- Stainless steel back
- Solid doors with lock
- Glass doors with lock
- 6" Legs
- 3" Casters
- Low profile casters
- Foot pedal door opener

REFRIGERATION SYSTEM

- Refrigeration system uses R290 refrigerant to comply with all environmental concerns
- Automatic, non-electric evaporator
- System is serviceable from rear
- Epoxy coated evaporator coil

UCR34HC Undercounter Refrigerator: Food Prep Series



3779 Champion Blvd., Winston-Salem, NC 27105
1-888-845-9800 Fax: 1-336-245-6453
Beverage-Air.com sales@bevair.com



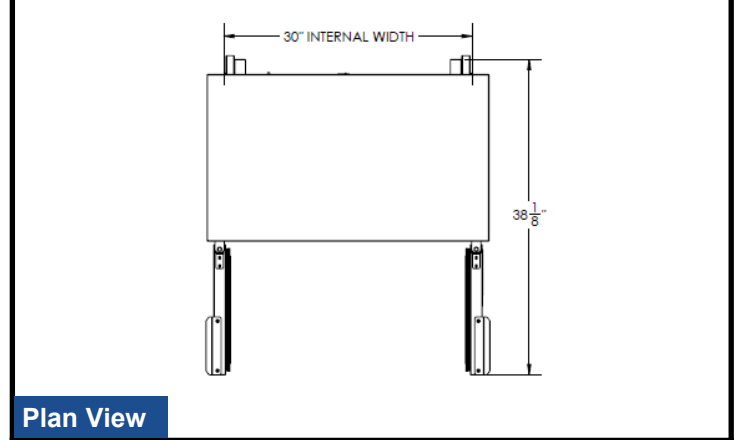
BEVERAGE-AIR

MODEL	UCR34HC
EXTERNAL DIMENSIONAL DATA	
Width Overall	34"
Depth Overall with Handle & Bumper	24 5/8"
Height Overall with 6" casters	31 1/8"
Number of Doors	2
Depth with Door Open 90°	38 1/8"
Door Opening (in)	13 1/8" x 18"
Shelf Area (sq. in)	Upper 215 3/4" Lower 245 1/2"
INTERNAL DIMENSIONAL DATA	
NET Capacity (cubic ft.)	3.88
Internal Width Overall (in)	30"
Internal Depth Overall (in)	16 3/8"
Internal Depth Useable (in)	Upper 11" Lower 8 1/4"
Internal Front Height Overall (in)	19 1/2"
Internal Back Height Useable (in)	12 1/2"
Number of Shelves	2
ELECTRICAL DATA	
Full Load Amperes 115/60/1	2
REFRIGERATION DATA	
Horsepower	1/6
Capacity (BTU/Hr)*	1010
WEIGHT DATA	
Gross Weight (Crated lbs)	167 lbs
Height - Crated	35"
Width - Crated	37"
Depth - Crated	23"

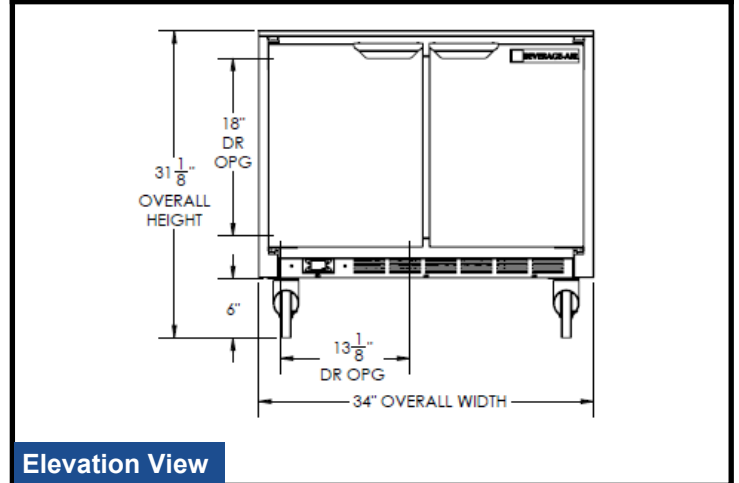
Undercounter Refrigerators

Models: UCR34HC

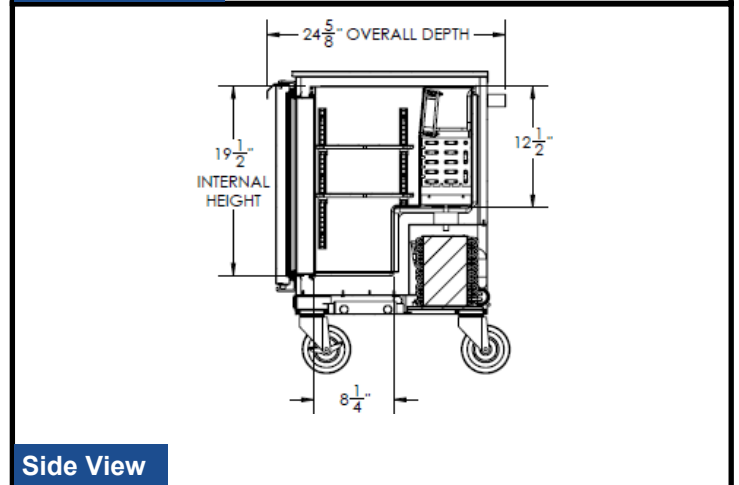
Model Views



Plan View



Elevation View



Side View

ELECTRICAL CONNECTION



115/60/1
NEMA-5-15P

Units pre-wired at factory and include 8' long cord and plug set.



an Ali Group Company



The Spirit of Excellence

3779 Champion Blvd., Winston-Salem, NC 27105
1-888-845-9800 Fax: 1-336-245-6453
Beverage-Air.com sales@bevair.com