



# NEO<sup>®</sup> 65/80 Undercounter Ice Machines

NEO<sup>®</sup> 65/80 Undercounter Ice Machines

## Models

- UDE-0065A     UDE-0080A



- Ranging from 57lbs. (26 kgs) to 102 lbs. (46 kgs) daily ice production
  - Cabinet volume 1.059 ft<sup>3</sup> (0.03m<sup>3</sup>)
  - 31 lb. (14.0 Kg) ice storage capacity\*
- \* Application capacity based on: 90% volume x 33lbs/ft<sup>3</sup> average density of ice.

## Standard Features

- Compact size for easy placement under counters or as a stand alone.
- Ideal for any small-volume ice need with ice maker and bin in one.
- Clean, crisp, coordinated interior.
- AlphaSan<sup>®</sup> in key internal components to extend time between cleanings.
- Flat, right-angle plug for easier installation in tight spaces.
- Attractive, durable stainless steel cabinet.
- Easy access door, slides up & out of the way.
- Patented cleaning and sanitizing technology.
- Manitowoc's proven vertical evaporator using proprietary technology is made in Manitowoc, WI.
- Easy access air filter designed for longer operation in greasy and dusty environments.
- Front air intake and exhaust.
- CFC-FREE R-134A refrigerant.

## Specifications

### BTU Per Hour:

**U-65:** 1,600 (average)  
2,350 (peak)

**U-80:** 2,050 (average)  
2,500 (peak)

### Compressor:

Nominal rating: 1/4 HP

### Legs:

Adjustable from 6.00"-7.25"  
(15.24-17.78 cm).

### Ice Storage:

One piece bin liner (seamless)  
"rotocast" polyethylene.

### Insulation:

Insulation foamed-in-place  
with CFC-FREE foam.

### Operating Limits:

#### Ambient Temperature Range:

**U-65:** 50° to 110° F  
(10° to 43° C)

**U-80:** 40° to 110° F  
(1.6° to 43° C)

#### Water Temperature Range:

**U-65:** 50° to 86° F  
(10° to 30° C)

**U-80:** 33° to 90° F  
(0.6° to 32° C)

#### Water Pressure Ice Maker

##### Water In:

**U-65:**  
Min. 34 psi (240 kPa)  
Max. 90 psi (620 kPa)

**U-80:**  
Min. 20 psi (138 kPa)  
Max. 80 psi (551 kPa)

## Ice Machine Electric

115/60/1. (230/50/1 also available.) 115/60/1 ice machines are factory pre-wired with a 6' (180 cm) power cord and NEMA 5-15P-plug configuration.

### Total ampacity:

U-65: 5.3 amps.

U-80: 5.2 amps.

### Maximum fuse size:

15 amps.

HACR-type circuit breakers can be used in place of fuses.

## Ice Shape



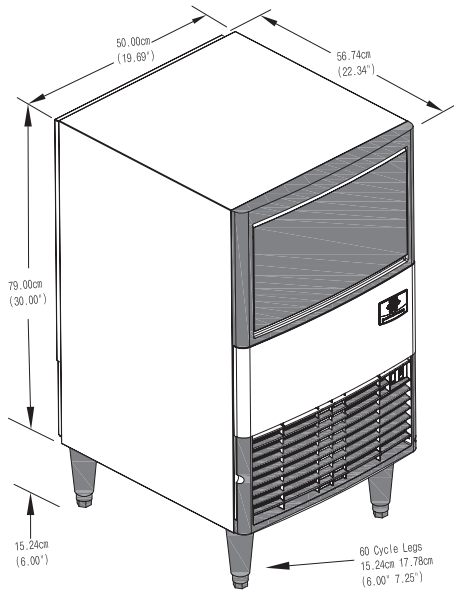
**Dice**  
7/8" x 7/8" x 7/8"  
(2.22 x 2.22 x 2.22 cm)



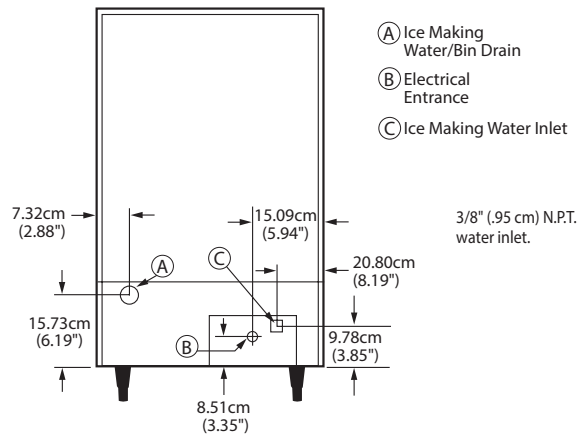
COMPANY WITH  
QUALITY SYSTEM



U-65  
U-80



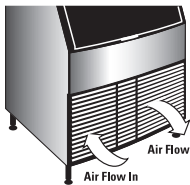
**Installation Note** - There is no minimum clearance required, however recommended clearance for top, sides, and back is 5" (12.7 cm).



Model	Ice Shape	Ice Production 24 Hours		Power kWh/100 lbs. @ 90°/70°F	Potable Water Usage @ 90°/70°F per 100 lbs/45.5 kgs of ice	Storage Bin Capacity
		70° Air/50°F Water 21° Air/10°C Water	90° Air/70°F Water 32° Air/21°C Water			
UDE-0065A	Dice	57 lbs.	46 lbs.	19.1	39.2 gal	31 lbs.
		26 kgs	21 kgs			14 kgs
UDE-0080A	Dice	102 lbs.	71 lbs.	10.7	43.1 gal	31 lbs.
		46 kgs	32 kgs			14 kgs

"A" following model number indicates "Air" cooled condensing unit.

**Air Flow Top View**



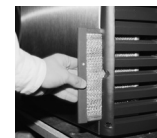
Air in left, air out right, no side vents. Great for installation under countertops and next to other equipment.

**Front Access**



Initiate ice, off and clean operations with simple upfront selector switch. No need to remove front panel. Now easier to see and access.

**Air Filter**



Slides out from left side front without tools, easy to clean, reusable filter protects condenser from lint, grease and dust.