



# AuCS® Automatic Cleaning System

## Model

- iAuCS (for all Indigo models except IB models)       iBAuCS (for Indigo IB Models)



iAuCS for External Mounting

## Standard Features

### iAuCS

- Exterior finish is stainless steel.
- Flexible design allows unit to be mounted on bin or wall.
- Only 12" (30.48 cm) wide, 3.43" (8.7 cm) deep, 12.12" (30.78 cm) high.

## Warranty

- 3-year warranty covering all parts and labor from the date of original installation.

### An efficient, dependable, and affordable accessory that schedules and performs routine ice machine cleaning automatically.

The innovative AuCS® accessory virtually eliminates the need to have a service technician perform manual cleaning procedures on the water distribution system of your Manitowoc ice machine.

It is a known fact that regularly scheduled preventative maintenance (cleaning) reduces the total operating cost of any ice machine. With AuCS, you simply select the monthly cleaning frequency through the Indigo display (0.5, 1, 2, 3, 4, 5, or 6 months) and AuCS does the rest...automatically. AuCS is also affordable, as the entire system costs less than the expense of 3 manual cleanings. AuCS is designed for use with Manitowoc Indigo Series ice machines.

## Cleaning or Sanitizing:

- The AuCS accessory can dispense either cleaner or sanitizer. It can not dispense both at the same time. Refer to the Installation Use and Care Manual supplied with the AuCS accessory to determine the type of solution needed and proper procedure for changing solutions. Use only Manitowoc ice machine cleaner or sanitizer.
- Cleaner is used to remove and control build up of lime scale or other mineral deposits.
- Sanitizer is used to control algae (slime) and other air borne bacteria (yeast).

## Electric

### iAuCS

- 115/60/1 or 208-230/60/1 (50Hz is not available)
- Electricity drawn directly from the ice machine.
- Amp Rating: 0.1

### iBAuCS

- 115/60/1 or 208-230/60/1 (50Hz is not available)
- Factory pre-wired with an 11' (335 cm) power cord and NEMA 5-15P plug.
- Amp Rating: 0.1

## Replenishment

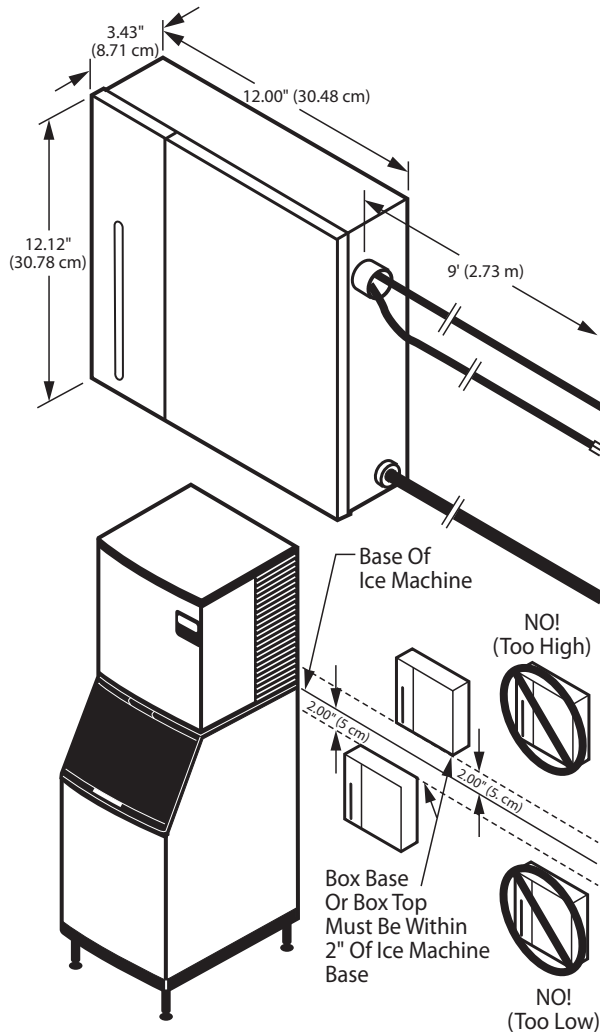
- AuCS cleaning or sanitizing fluid is provided in either 16 oz. replacement bottles or 1 gallon containers for refilling.



QUALITY MANAGEMENT SYSTEM  
CERTIFIED BY DNV  
ISO 9001:2008



**iAuCS / iBAuCS  
(External Mounting)**



**NOTE:** Box must also mount within reach of 9 foot (274 cm) tubing and low voltage modular wire.



**Compatibility:** The iAuCS model is for use with all Indigo Series Cubers i300 to i1800 and Indigo QuietQube Models i680C to i2170C. iBAuCS is for use with all Indigo IB Models: IB-0690C, IB-890C and IB-1090C.

**Installation:** The iAuCS is mounted on the wall near the ice machine or on the bin with the included bracket and hardware. iAuCS line voltage is obtained from the ice machine. iBAuCS line voltage requires external supply (unit comes pre-wired with 11' cord and NEMA 15-5P plug).

**Setting Run Frequency:** The frequency of cleanings can be set through the menus of the the Indigo ice machine.

**Automatic Operation:** Automatic cleaning initiated by the AuCS system takes about 30 minutes depending on the size of the machine. The water in the trough is dumped and refilled at the start of the cycle. The cleaner or sanitizer is dispensed from the AuCS accessory and the water pump performs a wash cycle followed by a series of rinse cycles. Ice making automatically resumes when the AuCS cycle is complete.

2379F ©2011 Manitowoc 6/11 Continuing product improvement may necessitate change of specifications without notice.