

Single Compartment

For Trays and Sheet Pans

Models 1826LTC, 1826LTC3,
1826LTCSP (Security Package)

For Food Storage Boxes

Models 1826LBC, 1826LBCSP (Security Package)

Features & Benefits



- These single compartment Camcarts easily handle food storage and transport for any catering job and for a wide variety of food delivery needs.
- Tray and Sheet Pans storage capacity:
 - Model 1826LTC
 - 13 each 18" x 26" (46 x 66 cm), 1 3/4" (4,5 cm) clearance
 - Model 1826LTC3
 - 7 each 18" x 26", (46 x 66 cm), 3" (7,6 cm) clearance
- Food Storage Box storage capacity per compartment:
 - Model 1826LBC
 - 5 each 3 1/2" (8,9 cm) deep
 - 3 each 6" (15,2 cm) and 1 each 3 1/2" (8,9 cm) deep
 - 2 each 9" (22,9 cm) and 1 each 3 1/2" (8,9 cm) deep
 - or 1 each 15" (38,1 cm) and 1 each 6" (15,2 cm) deep
- Standard removable Cutting Board on top is included for all models.
- Tough, one-piece seamless, double-wall, polyethylene construction is easy to maintain and won't dent, crack, rust, chip or break.
- Thick polyurethane foam insulated compartments and air tight door gaskets help to retain food quality and temperatures without the use of external heat sources.
- Vent cap allows steam to be released and keeps menu items from becoming soggy.
- Recessed corrosion-free stainless steel hinges and latches are long lasting and prevent accidental openings.
- Molded-in horizontal handle on the back of each cart ensures easy maneuvering during transport.
- Four each 6" (15,24 cm) casters, 2 fixed, 2 swivel, 1 w/ brake provide for smooth transporting and maneuvering across all types of terrain.
- Models available with a Security Package for correctional facility use.
- Non electrical.
- No assembly required.
- Available in 9 colors.

Note: Trays and Sheet Pans must be cooled down to 250°F (121°C) before placing in Camcarts.

Item No. _____

Specifier Identification No. _____

Model No. _____

Quantity _____



1826LTC
(For Trays & Sheet Pans)



1826LTC3
(For Trays & Sheet Pans)



1826LBC
(For Food Storage Boxes)



1826LBCSP
(With Security Package)

Approvals



(1826LBC Only)

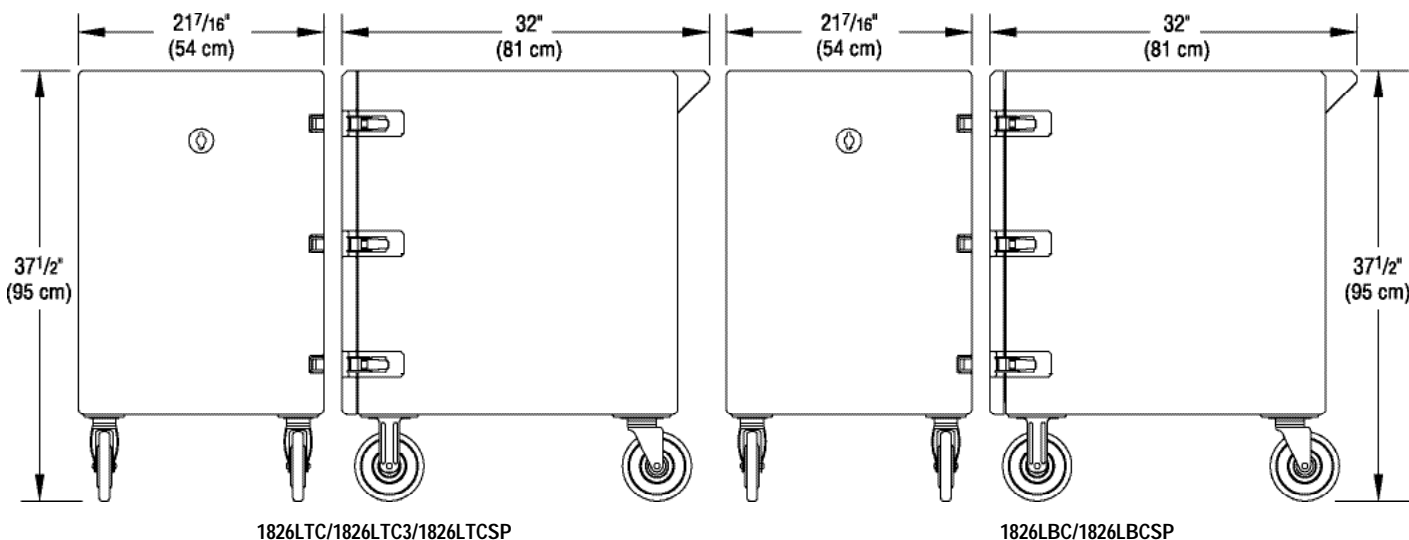
Single Compartment

For Trays and Sheet Pans

Models 1826LTC, 1826LTC3,
1826LTCSP (Security Package)

For Food Storage Boxes

Models 1826LBC, 1826LBCSP (Security Package)



Specifications

Dimension Tolerance: +/- 1/4" (0,64 cm)

Code	Description	Exterior Dimensions W x D x H	Case lbs./cube Kg/m ³
Without Security Package			
1826LTC	Camcart For Trays & Sheet Pans	21 7/16" x 32" x 37 1/2" (54 x 81 x 95 cm)	86 (16.39) 39 (0,46)
1826LTC3	Camcart For Trays & Sheet Pans	21 7/16" x 32" x 37 1/2" (54 x 81 x 95 cm)	86 (16.39) 39 (0,46)
1826LBC	Camcart For Food Storage Boxes	21 7/16" x 32" x 37 1/2" (54 x 81 x 95 cm)	86 (16.39) 39 (0,46)
With Security Package			
1826LTCSP	Camcart For Trays & Sheet Pans	21 7/16" x 32" x 37 1/2" (54 x 81 x 95 cm)	86 (16.39) 39 (0,46)
1826LBCSP	Camcart For Food Storage Boxes	21 7/16" x 32" x 37 1/2" (54 x 81 x 95 cm)	86 (16.39) 39 (0,46)

Optional Accessories

Lifting strap 1826STP
Beige (100)

Standard Colors

- Slate Blue (401)
- Coffee Beige (157)
- Dark Brown (131)
- Gray (180)
- Brick Red (402)
- Navy Blue (186)
- Cold Blue (159)
- Green (519)
- Hot Red (158)

Architect Specs

The non-electrical food service and transport cart shall be a single compartment Camcart, Model..., manufactured by Cambro Mfg. Co., Huntington Beach, CA 92648 U.S.A. It shall be made of one-piece, seamless, double-wall, high-density, polyethylene. It shall have one insulated polyurethane foam-injected compartment. It shall accommodate either 18" x 26" (46 x 66 cm) Trays and Sheet Pans or Food Storage Boxes. It shall be available with a removable Cutting Board. It shall have recessed, corrosion free, stainless steel door latches and hinges. It shall have a vent cap. It shall have a molded-in horizontal handle located on the back of the cart. It shall have 4 each 6" (15,24 cm) casters, 2 fixed, 2 swivel, 1 w/ brake. It shall be available with a Security Package. It shall require no assembly. It shall be available in 9 colors.

Approvals



(1826LBC Only)