

Automatic Three Gallon Coffee Urns

Job _____

Item# _____

Models: FE75N • CH75N • CL75N
FE100N • CH100N • CL100N



43-05 20th Avenue | Long Island City, NY 11105

Ph: 800-935-2211, 718-932-1414 | Fx: 718-932-7860

customer.service@cecilware.com

www.cecilware.com

Since 1911

Automatic Three Gallon Coffee Urns

Since 1911

Sp					
M	D	D H		E	S
Single 3 Gal. Urns	FE75N	Adjustable By-Pass Automatic Agitator Solid State Timer		120/240V, 7KW, 29A, 1Phase 120/208V, 5.3KW, 26A, 1Phase 120/240V, 6KW, 15A, 3Phase 120/208V, 4.5KW, 12A, 3Phase	75 lbs.
	CH75N	Chinese Hot Tea Urn Electro-Mechanical Timer			
	CL75N	Adjustable By-Pass Push-Button Agitator Electro-Mechanical Timer			
Twin 3 Gal. Urns	FE100N	Adjustable By-Pass Automatic Agitator Solid State Timer		120/240V, 8KW, 34A, 1Phase 120/208V, 6KW, 29A, 1Phase 120/240V, 8KW, 20A, 3Phase 120/208V, 6KW, 17A, 3Phase	100 lbs.
	CH100N	Chinese Hot Tea Urn Electro-Mechanical Timer			
	CL100N	Adjustable By-Pass Push-Button Agitator Electro-Mechanical Timer			

NEW F

- ✓ New modern look and user-friendly operation.
- ✓ New silicone fittings prevent corrosion, pitting, & leakage.
- ✓ New solid-state dual water level control.
- ✓ Relocated thermostat sensor to side box for easy access and service.
- ✓ Seamless urn liners standard.
- ✓ Easy changing of the water pump or thermostat – no need to empty urn completely.
- ✓ Provides (2) brew cycle choices, full batch and half batch. Full batch standard, half batch optional.
- ✓ Relocated thermometer – easier to read.
- ✓ Relocated agitator pump.
- ✓ Relocated blend hoses.



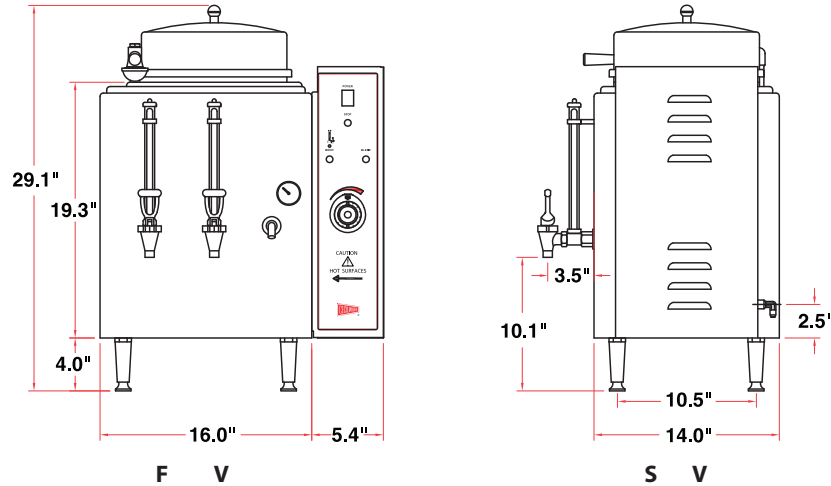


Automatic Three Gallon Coffee Urns

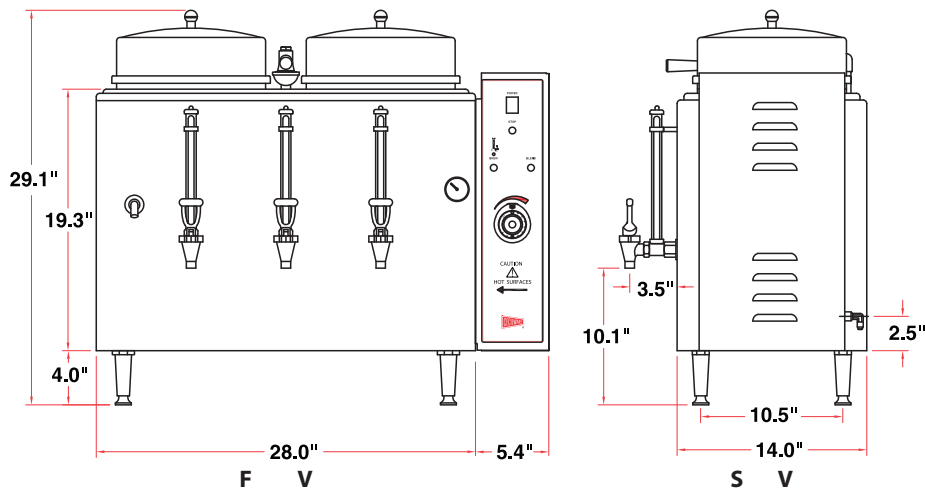
Models: FE75N • CH75N • CL75N
FE100N • CH100N • CL100N

D

FE75N, CH75N, CL75N



FE100N, CH100N, CL100N



NEW Parts for Single & Twin 3 Gallon Urns

P	Description	P	Description
32004	Red Indicator Light	L155A	Power Switch
B157A	Terminal Block	L214A	Dual Brew Timer - 120V
CD417	Inlet Valve - 120V	L216A	Dual Brew Timer - 220V
CD418	Inlet Valve - 220V	L532A	Thermostat
CG12A	Contactora - 120V COIL	L584A	Push Button Switch
C036A	Contactora - 220V COIL	L775A	Level Sensor Board - 120V
K491B	Hose Nut Assembly	L776A	Level Sensor Board - 220V
K810Q	Dual Probe Level Sensor	M461A	Seal Silicone 12mm
		M462A	Seal Silicone 15mm

Specifications subject to change without notice

Tel: 800.935.2211
Tel: 718.932.1414
Fax: 718.932.7860

www.cecilware.com

Cecilware Corporation
43-05 20th Ave., LIC NY 11105

