



**PATENTS PENDING**

## Principle

Middleby Marshall PS Series conveyor ovens bake both faster and at a lower temperature than other ovens. Patented vertical columns of hot air move heat aerodynamically instead of using high temperatures. The streams of hot air remove the boundary layers of cool heavy air which tend to insulate the product. This gives very rapid baking without burning the product. All PS628 WOW!<sup>2</sup>™ ovens are designed to cook product 30% faster than other conveyor ovens.

## General Information

The PS628 conveyor oven is ideally suited for Kiosk and express-style locations where smaller ovens are required.

### Standard Features

- Patented EMS Energy Management System reduces energy consumption and increases cooking efficiency
- Patented "High-h" convection heat transfer technology
- 28" (711mm) long cooking chamber with 18" (457.2mm) wide belt
- 52" (1321mm) long, 36" (914mm) deep, and 22.5" (572mm) high overall dimensions
- Furnished with 4" (102mm) legs.
- Stackable up to three high.
- Microprocessor-controlled bake time/conveyor speed
- Stainless steel front, sides, top and interior
- Reversible conveyor direction
- High speed conveyor (Range of 0:30 - 12:00)
- Automatic "energy eye" saves energy when no product is in the oven

### Optional Features

- Stand with casters
- Exit shelf with stop
- Extended warranty available
- Split belt - two 9" (229mm) belts with individually adjustable speed settings

## Energy Management System

The PS628 WOW!<sup>2</sup>™ oven features an Energy Management System (EMS) that automatically reduces energy consumption.

## Cleanability

PS628 Ovens are designed for easy cleaning. Removable parts include: crumb pans, end panels and air fingers.

## Easily Serviced

Control compartment is designed for quick and easy access.

## Warranty

All PS628 models have a one year parts and labor warranty. Oven start-up and demonstration are included at no additional charge (USA Only)

## Ventilation

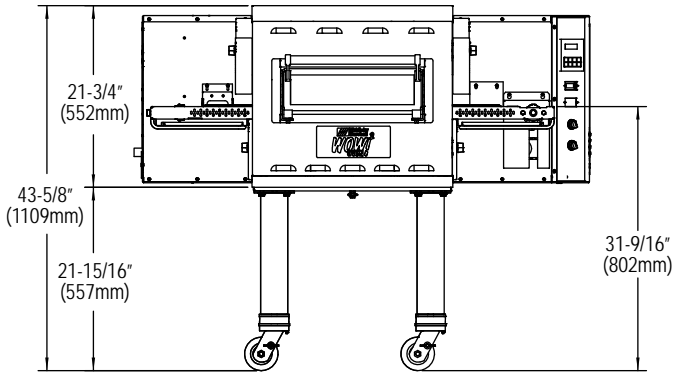
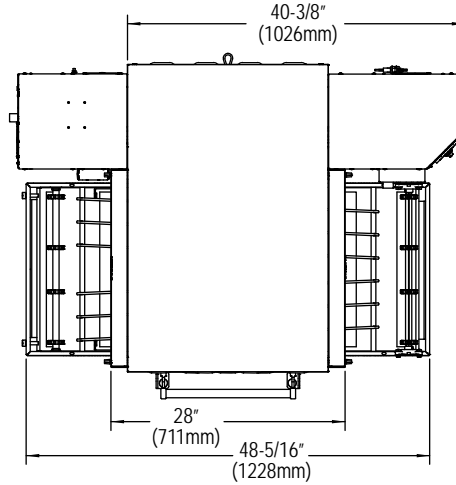
Use of a ventilation hood is not required for proper operation, but installation must conform with all local codes and regulations.



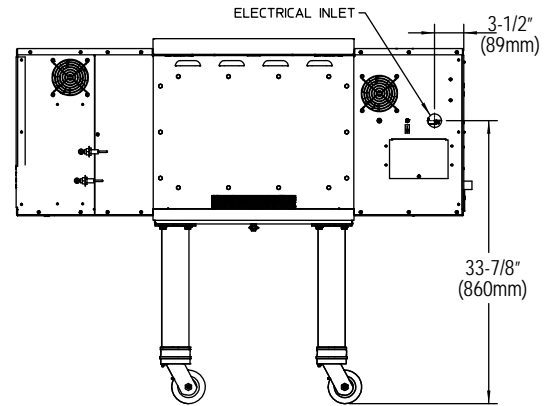
NOTE: Drawings show ovens equipped with casters.

PS628-1

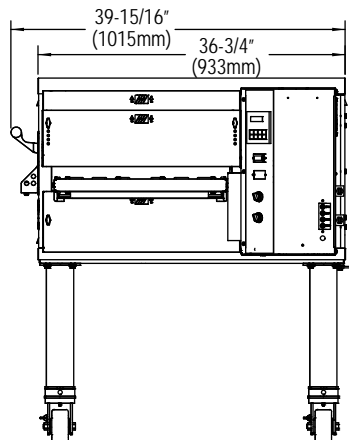
TOP VIEW



FRONT VIEW



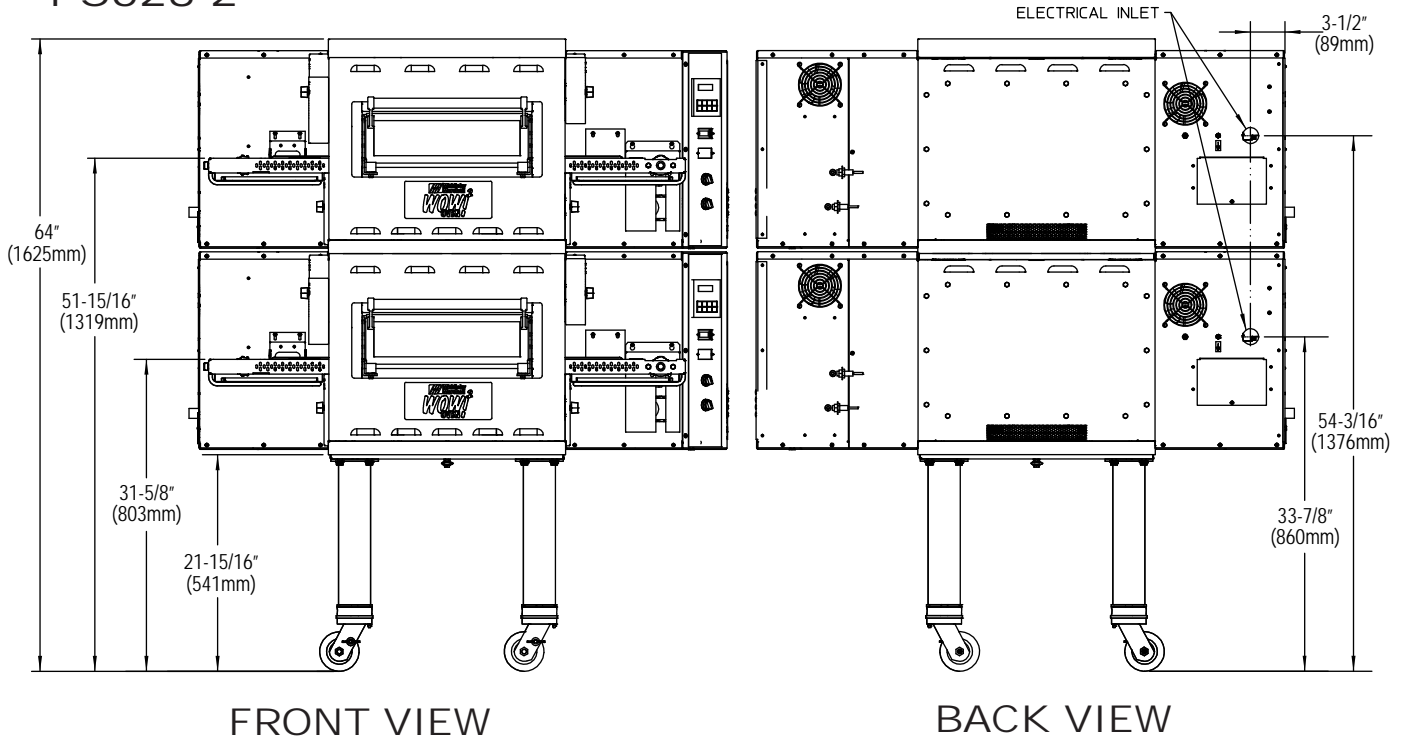
BACK VIEW



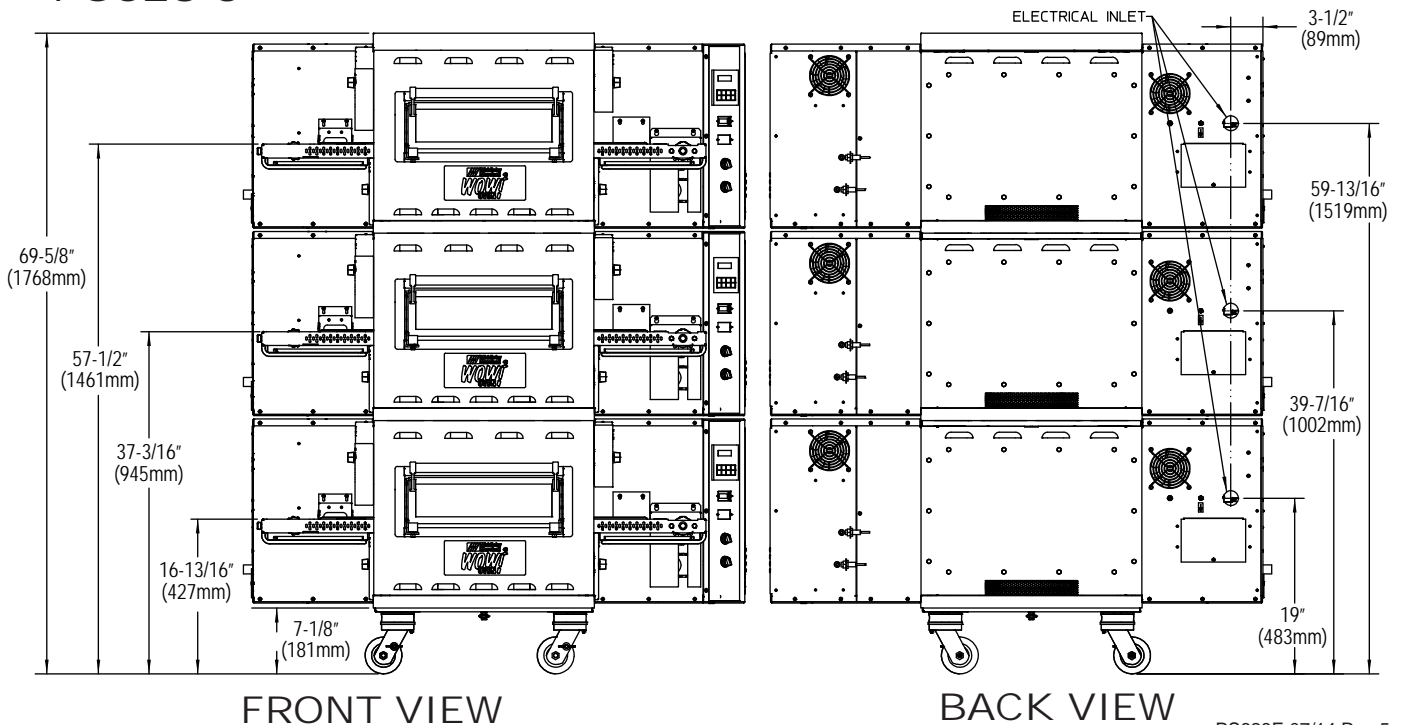
SIDE VIEW

NOTE: Drawings show ovens equipped with casters.

PS628-2



PS628-3



**RECOMMENDED MINIMUM CLEARANCES**

| Rear of Oven to Wall | Control end of conveyor to wall | Non-control end of conveyor to wall |
|----------------------|---------------------------------|-------------------------------------|
| 0"                   | 0"                              | 0"                                  |

**GENERAL SPECIFICATIONS**

|       | Heating Zone | Baking Area            | Belt Length    | Overall Length (12" exit trays installed) |                  | Height         | Depth        | Maximum Operating Temp | Bake Time Range     | Ship Wt             | Ship Cube            |
|-------|--------------|------------------------|----------------|-------------------------------------------|------------------|----------------|--------------|------------------------|---------------------|---------------------|----------------------|
|       |              |                        |                | Belt Width                                | Height           |                |              |                        |                     |                     |                      |
| PS628 | 28"<br>711mm | 3.5 sq ft<br>0.33 sq m | 48"<br>1219 mm | 18"<br>457mm                              | 64" max<br>626mm | 22.5"<br>572mm | 36"<br>914mm | 600°F<br>316°C         | 00:30-<br>12:00 min | 603 lbs<br>273.5 kg | 64.07 ft3<br>1.81 m3 |

**ELECTRICAL SPECIFICATIONS**

| Version                    | Voltage | Phase | Freq     | K.W. | Supply                                   | Breakers    |
|----------------------------|---------|-------|----------|------|------------------------------------------|-------------|
| USA Standard & Export      | 208v    | 3     | 50/60 hz | 14.4 | 3 pole, 4 wire<br>(L1, L2, L3 & GRND)    | 50A Service |
|                            | 240v    | 3     | 50/60 hz | 14.4 | 3 pole, 4 wire<br>(L1, L2, L3 & GRND)    | 50A Service |
| INTERNATIONAL<br>CE Listed | 380v    | 3     | 50/60 hz | 17.4 | 4 pole, 5 wire<br>(L1, L2, L3, N & GRND) | 30A Service |

\* The current draw rating shown above are maximum values for normal operation, amperage draw will be less than the listed value.  
USA & Standard Export Models, 208V and 240V supplied with a 6ft cord and NEMA# 15-50P plug.  
Cord and plug not supplied with 480V model.  
International Models supplied with 6ft cord only.



ALL SPECIFICATIONS SUBJECT TO CHANGE WITHOUT NOTICE.