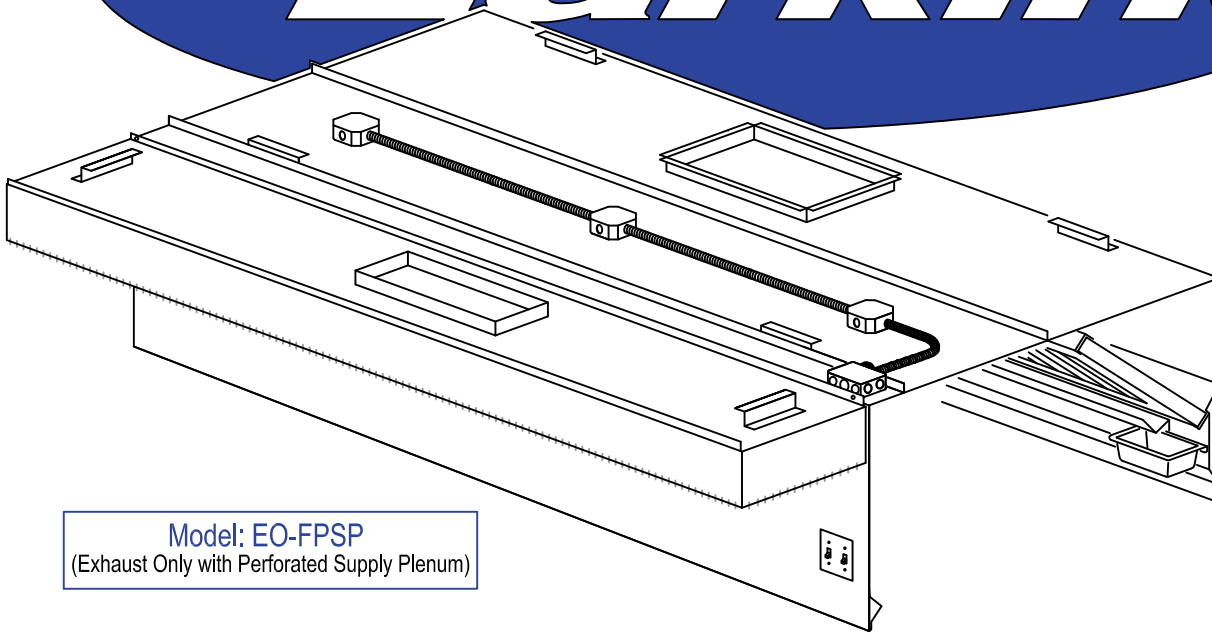


Larkin®



Model: EO-FPSP
(Exhaust Only with Perforated Supply Plenum)

General Specifications:

Hood shall be standard straight exhaust only type. Make-up air shall be introduced through an optional (FPSP) Front Perforated Supply Plenum with internal balancing plate and stainless steel perforated bottom panel. Mounting brackets shall be located on each end of the plenum. The hood shall be fabricated from Type 430 stainless steel with #3 or #4 polish on all exposed surfaces.

Hood shall be of double wall construction with seams and joints welded and sealed liquid tight, to conform to NFPA 96. Corners of hood shall be trimmed to give the hood a straight, crisp appearance free of warps. 12 gauge hanging brackets for hood shall be located on each corner (more brackets as needed for longer hoods.) Grease filters shall be UL classified, non-clogging, baffle type. Filter size and quantity to extend the full length of hood and shall be easily removable for cleaning purposes.

All exhaust plenum surfaces and filters shall drain into a removable grease trough and be conveyed to a removable grease container for easy cleaning. Incandescent lights shall be installed at approximately 3' intervals and shall be UL listed for use in exhaust hoods and allow up to a 100 Watt standard light bulb. Lights shall be completely pre-wired to a junction box located on top of the hood. Exhaust collar shall have a 3/4" welding flange for easy field connection. Supply collar shall be provided.

Complete computer generated submittal drawings including material type, hood section view(s), plan view(s) and options chosen shall be provided. Duct sizes, CFM requirements and static pressures shall be shown on drawings. The hood shall be constructed in accordance with NFPA 96, bear the NSF Seal of Approval, and be ETL Listed. Hood and Plenum to be manufactured by LARKIN INDUSTRIES, INC. 1-800-322-4036

Optional Features:

Electrical controls/ Auto Fan Control System with Energy Saver

- Fire protection system
- Utility cabinet/ Fire cabinet
- Enclosure panels
- End panels
- Clearance reduction system
- Wall splash panels
- High Efficiency Vortex filters (1 or 2 stage)
- Fluorescent light fixtures



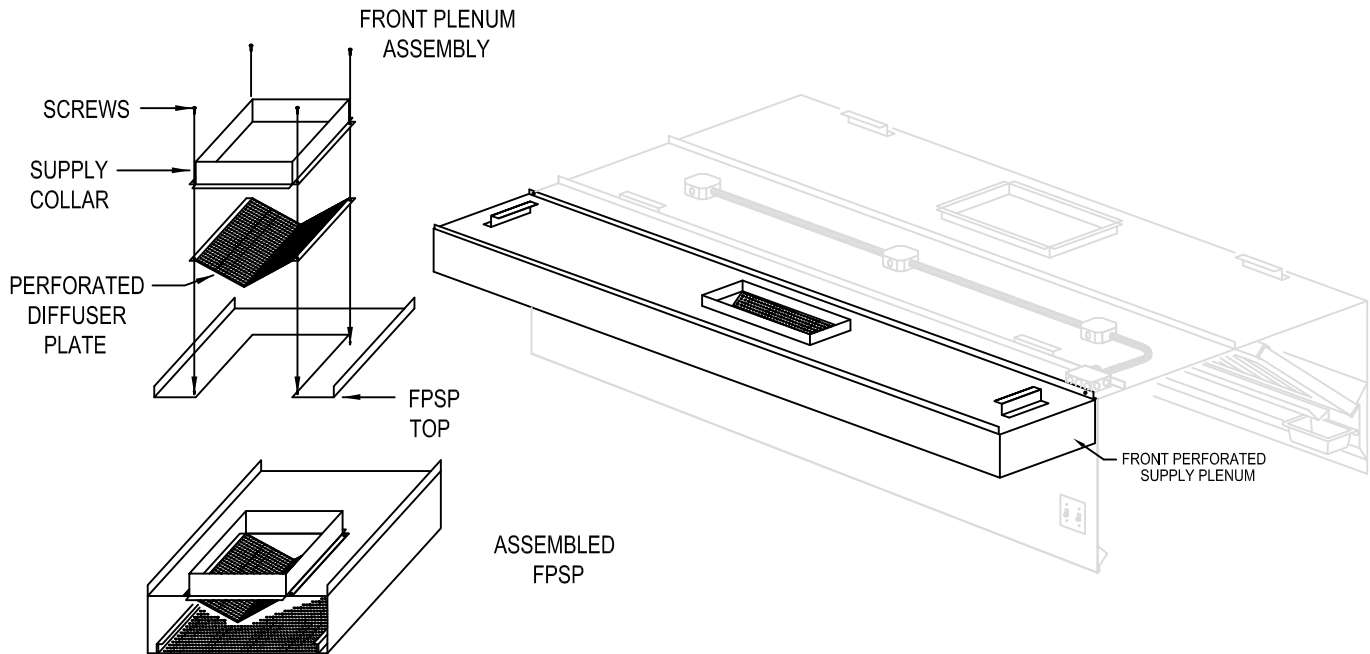


FRONT PERFORATED
SUPPLY PLENUM
(FPSP)

Click here to buy now!



1-866-285-1252



FPSP Plenums are to be field mounted on the front of the hood and hung by threaded rod or ceiling wire. Supply collars can be shipped mounted or loose. Plenum can be constructed in one piece up to 16' long.

Features:

- 430 stainless steel construction
- Standard plenum width is 12" or 16"
- Standard plenum height is 6"

Benefits:

- Easy to install
- Integral self balancing perforated panels discharge air along the full length of the hood.
- Make up air is directed into the capture and containment area.

