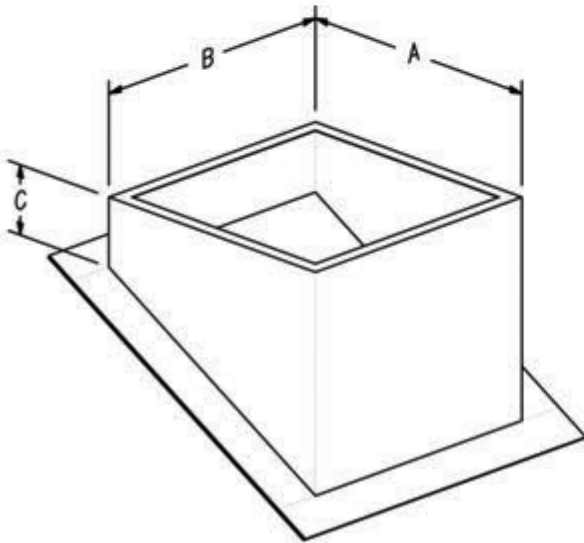


SLOPED ROOF CURB Central Model No.:356-055



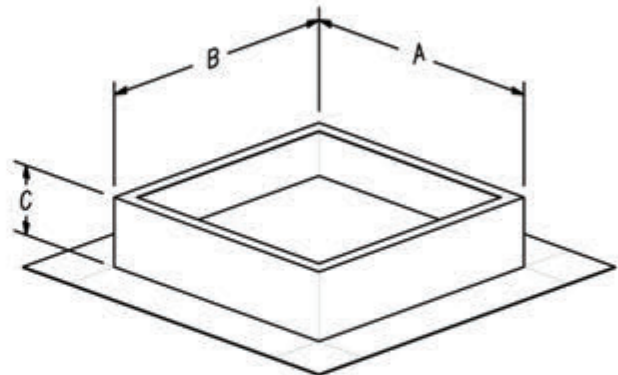
Specification:

Sloped roof curbs are constructed from 20 gauge galvanized steel and welded solid. Curbs are engineered to accommodate exhaust/supply fans on a sloped roof application. Typically the sloped roof curb is built on a platform of 6" flanges. Curbs are designed to meet NFPA- 96 7.8.2 discharge height requirement minimum of 40" from roof surface for up-blast restaurant exhaust fans. Curbs are insulated to impede condensation.

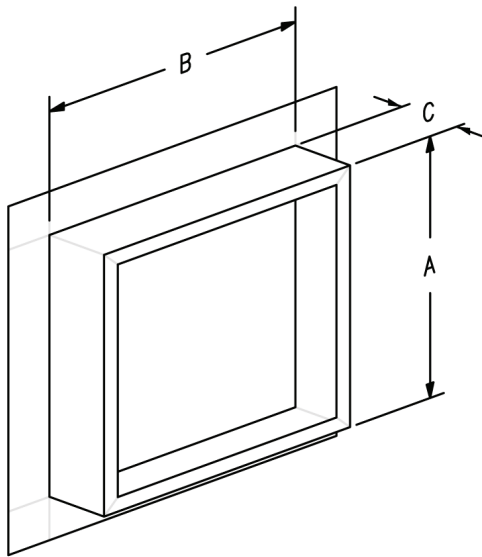
FLAT ROOF CURB (Standard w/ Fan)

Specification:

Flat roof curbs are constructed from 20 gauge galvanized steel, tac-welded and filled with locktight. Curbs are engineered to accommodate exhaust/supply fans on a flat roof application. Typically the flat roof curb is built on a platform of 4" flanges. Curbs are designed to meet NFPA- 96 7.8.2 discharge height requirement minimum of 40" from roof surface for up-blast restaurant exhaust fans. Curbs are insulated to impede condensation.



WALL CURB (Standard w/ Fan)



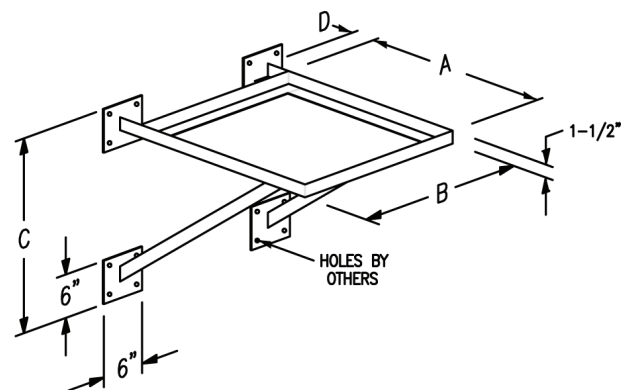
Specification:

Wall mounted curbs are constructed from 20 gauge galvanized steel and welded solid. Curbs are engineered to accommodate exhaust fans only on wall mounted application. See NFPA-96 Chapter 8 for proper wall fan placement. Typically the wall curb is built on a platform of 2" flanges. Curbs are insulated to impede condensation.

WALL MOUNTED PLATFORM Central Model No.: 356-059

Specification:

Wall mounted platforms are constructed from 12 gauge galvanized steel. Platforms are engineered to accommodate supply fans only for wall mounted application. Typically the wall mounted platform is built with 6" mounting plates. Supply fans may be constructed with side discharge for wall mounted application.





EXHAUST

FLAT / SLOPED ROOF CURB SIZES
(Sloped Curbs must be verified per Application)

CURB SIZES			
MODELS: XRUB & XRUD	A	B	C
098 - 131	18	18	26
141 - 161	21	21	24
180 - 200	29	29	22
220 - 240	33	33	18
300	39	39	14
360	45	45	14
420	51	51	14
480	57	57	14

* All dimensions are in inches *

CURB SIZES			
MODELS: XREB & XRED	A	B	C
060 - 095	16	16	10
103 - 123	18	18	10
133 - 143	21	21	10
150 - 163	25	25	10
170 - 183	29	29	10

* All dimensions are in inches *

WALL MOUNTED CURB SIZES
(Exhaust Fan Only)

CURB SIZES			
MODELS: XRUB & XRUD	A	B	C
098 - 131	18 1/2	18 1/2	4
141 - 161	21 1/2	21 1/2	4
180 - 200	29 1/2	29 1/2	4
220 - 240	33 1/2	33 1/2	4

* All dimensions are in inches *

CURB SIZES			
MODELS: XREB & XRED	A	B	C
060 - 095	16 1/2	16 1/2	4
103 - 123	18 1/2	18 1/2	4
133 - 143	21 1/2	21 1/2	4
150 - 163	25 1/2	25 1/2	4
170 - 183	29 1/2	29 1/2	4

* All dimensions are in inches *

SUPPLY

FLAT / SLOPED ROOF CURB SIZES
(Sloped Curbs must be Verified per Application)

CURB SIZES			
MODELS: ARS	A	B	C
ARS - 9	23	23	12
ARS - 10	33	33	12
ARS - 12	33	33	12
ARS - 15	33	33	12
ARS - 18	41	41	12

* All dimensions are in inches *

WALL MOUNTED PLATFORM SIZES
(Supply Fan Only)

PLATFORM SIZES				
MODELS: ARS	A	B	C	D
ARS - 9	25	25	23 1/2	6 1/2
ARS - 10	35	35	23 1/2	6
ARS - 12	35	35	23 1/2	6
ARS - 15	35	35	23 1/2	6

* All dimensions are in inches *