

Cashier Stand

Stainless Steel With Laminate Exterior



Model 641
Shown with optional
locking cash drawer

Ideal for high volume cafeteria operations that utilize POS computer systems

Benefits

- Accommodates conventional cash register or computer equipment for electronic payment systems
- Generous compartments for computer CPU, printer and other supplies

Features

- Easy to clean stainless steel top and interior
- CPU compartment features vented back to prevent overheating
- Fold down 12" (305 mm) wide tray slides adjust for ADA compliance
- Textured and solid color laminate exterior finishes available
- Optional locking cash drawer available

Casters

- Non-marking cushion tread 5", all-swivel, two with brake



Vent panel



Fold-down tray slides



Height-adjustable
tray slides



Optional monitor shelf

Specifications:

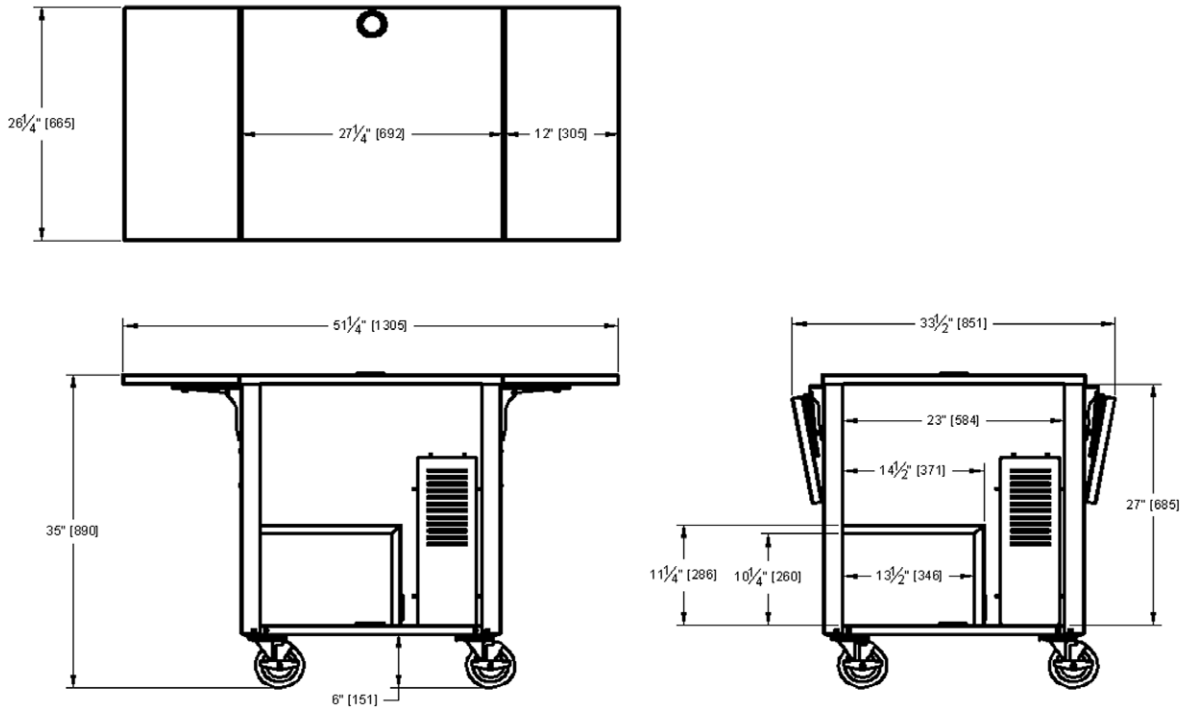
Shall be Lakeside Model #641 and shall be of welded stainless steel construction, with decorative laminate exterior sides. Unit shall accommodate either conventional cash register or POS electronic payment systems. Stainless steel interior shall feature compartments to accommodate tower or desk style CPU, compact printer, and other supplies. CPU compartment shall have vented back to prevent CPU overheating. Interior compartment walls and top shall have ports for passage of computer cables. Top shall be of stainless steel, with 12" (305 mm) wide fold down solid stainless steel tray slides. Tray slides shall be height adjustable for elementary school application and ADA compliance. Choice of standard laminate exteriors available. Cart shall have four each swivel casters, two with brakes. Casters shall have 5" (127 mm) polyurethane non-marking wheels.

Spec. # _____

AIA # _____

Cashier Stand

Stainless Steel With Laminate Exterior

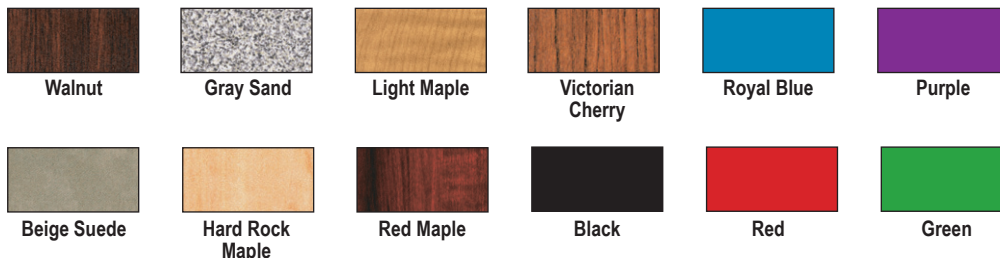


- Dimensions**
- Overall:** 26 1/4"W x 33 1/2"L x 35"H (665Wx 851L x 890H mm)
 - CPU compartment:** 10 1/2"W x 22 3/4"D x 18 3/4"H (257W x 557D x 459H mm)
 - Printer compartment:** 16 1/2"W x 22 3/4"D x 8 1/2"H (404W x 557D x 208H mm)
 - Lower compartment:** 16 1/2"W x 22 3/4"D x 11 1/2"H (404W x 557D x 276H mm)
 - Height to tray slide top from floor:** 35" (890 mm)
 - Height to tray slide top from floor (lower position):** 28" (686 mm)

Options:

- Locking cash drawer
- Top monitor stand
- Pull-out keyboard shelf
- Custom laminate finish exterior
- One or both tray slides removed
- Interior compartment divider removed
- Back mounted fold-down tray slide
(in place of standard side mount tray slides)

Available Finishes



Finishes:

- Walnut
- Gray Sand
- Light Maple
- Red Maple
- Beige Suede
- Victorian Cherry
- Hard Rock Maple
- Black
- Royal Blue
- Purple
- Red
- Green
- Other _____



Lakeside Manufacturing, Inc.

4900 West Electric Avenue • West Milwaukee, WI 53219 U.S.A.
800-558-8565 • 414-902-6400 • Fax 414-902-6446 • www.eLakeside.com