



Simply Engineered Better

Project _____

Item No. _____

Quantity _____

201HT UNDERCOUNTER

201HT

Undercounter High Temperature Dishwashing Machine with Built-in Booster Heater



SPECIFIER STATEMENT

Specified unit will be Moyer Diebel Model 201HT undercounter high temperature dishwashing machine with built-in booster.

Features include 15-3/4" door opening, standard detergent and rinse-aid dispensing pumps. Built-in 70°F rise booster, and wash tank heater maintains water required temperature.

1 year parts and labor warranty.

Vent hood is not recommended as unit does not produce excessive steam. Always follow local building code guidelines.



STANDARD FEATURES

- **Multi-Power** allows for infield conversion to 208-240 volt and/or single to three phase
- **Soft Start** to protect glasses and dishes from chipping and breaking
- **Rinse Sentry** extends the rinse cycle to ensure 180°F final rinse
- **Built-in Booster** 180°F final rinse (standard 6kW 70F° rise or optional 9kW high speed recovery booster)
- **Scrub Feature** extends wash cycle for heavily soiled wares
- **Delime Feature** extends cycle up to 20 min for cleaning unit
- Pumped drain permits use of the drain connection up to 6' of which 3' can be vertical
- 25 racks per hour*
- Advance digital temperature monitoring
- Fresh water wash and pumped rinse
- Built-in detergent and rinse-aid pumps
- Advance service diagnostics
- Upper and lower interchangeable spray arms
- Stainless steel top and side panels
- Counter balance door
- Wash tank heater
- Two 20" x 20" racks, one peg and one flat
- One year parts and labor warranty

* Excludes 20 second NSF load/unload time

OPTIONS & ACCESSORIES

- | | |
|--|---------------|
| <input type="checkbox"/> 9kW high speed recovery booster | - |
| <input type="checkbox"/> Flat bottom dishrack | P/N 101273 |
| <input type="checkbox"/> Peg dishrack | P/N 101285 |
| <input type="checkbox"/> 6" Stand | P/N 0712393 |
| <input type="checkbox"/> 17RS – 17" Stand | P/N 0708757 |
| <input type="checkbox"/> 1" roller casters | P/N 0712480 |
| <input type="checkbox"/> Drain Water Tempering Kit (factory installed) | P/N 0712382-1 |
| <input type="checkbox"/> Low Chemical Alarm (factory installed) | P/N 0712314 |

ND031 Printed in U.S.A.

Moyer Diebel Ltd. – USA

3765 Champion Blvd, NC 27105 • 336/661-1992 • Fax: 336/661-1979
moyerdiebel.com

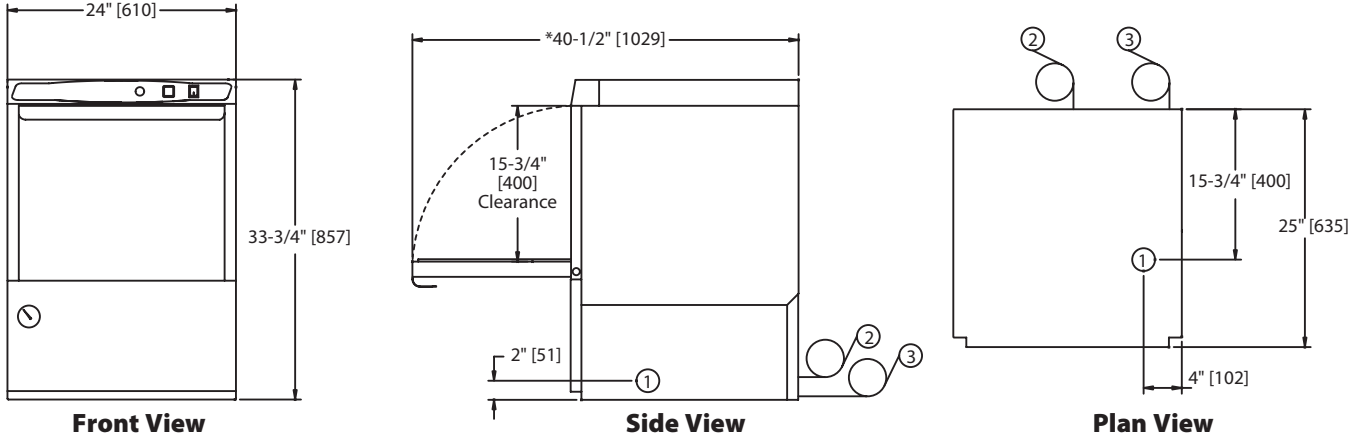


Simply Engineered Better

201HT

Undercounter
High Temperature Dishwashing Machine
with Built-in Booster Heater

Dimensions shown in inches and [millimeters]



*Note: Allow additional 3" clearance from wall.

Utilities	
1 Electrical Connection	208-240/60/1; 3 wire plus ground, (See Box). 208-240/60/3; 4 wire plus ground, (See Box).
2 Hot Water	110°F/43°C Min., hot water for 70°F/39°C rise booster. 5 ft. long 1/2" I.D. flexible fill hose with 3/4" hose connector. Flow pressure: 25-95 psi (173-656 kPa)
3 Drain Connection	5/8" [15.9] I.D. flexible reinforced hose, 6 ft. [1829] long. Max. drain flow 15 US gpm. [12.5 imp gal] Max. drain height 3 ft. [914]

SPECIFICATIONS

Capacity	
*Racks per hr.	25
Motor Horsepower	
Wash	1
Water Consumption	
Per hr. (max. use)	38.4 US gal;
Per rack	1.8 US gal;
Temperatures °F	
Wash (minimum)	150
Rinse (minimum)	180
Heating	
Tank heat, electric (kW)	2.0
Electric booster	
(kW required for 70°F rise)	6
(kW required for high speed recovery)	9
Time Cycle in Seconds	
Wash	90
Rinse	26
Drain/fill	25
Total	141

* Excludes 20 second NSF load/unload time

201HT with 70°F Rise Booster

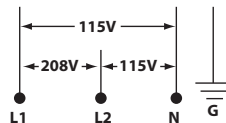
Electrical Specs.	Rated Amps	Minimum Supply Ckt. Conductor Ampacity	Maximum Overcurrent Protective Device
208/60/1	32	40	40
240/60/1	36	40	40
208/60/3	22	30	30
240/60/3	24	30	30

201HT with 9 kW High Speed Recovery Booster

Electrical Specs.	Rated Amps	Minimum Supply Ckt. Conductor Ampacity	Maximum Overcurrent Protective Device
208/60/1	45	60	60
240/60/1	50	60	60
208/60/3	29	35	35
240/60/3	33	40	40

	Uncrated	Crated
Height	33-3/4"	39-1/2"
Width	24"	25"
Depth	25"	25-1/2"
Ship Wt. lbs/kg	178	198

* Adjustable foot height - 11/4" [45]



*Note: Electrical supply service must be a 3-wire plus ground for connection as shown.

Note: Field convertible to accept 3 phase power.

Moyer Diebel – USA

3765 Champion Blvd., NC 27105
336/661-1992 • Fax: 336/661-1979

moyerdiebel.com

an Ali Group Company



The Spirit of Excellence