

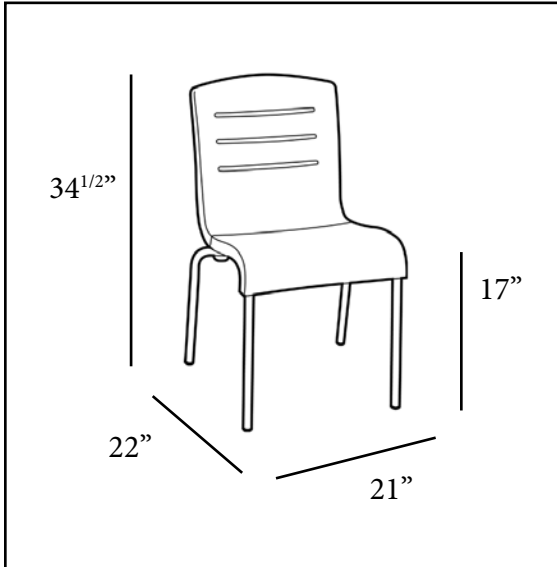


New Color!

Domino Stacking Chair

Meets the performance standards of EN 581-1 and EN 581-2 for commercial use.

Tested in accordance with and passes each test procedure utilized in ASTM F 1561-96 Class B performance standard for commercial seating.



- Unique, 2-color designer chair with a young & fun personality and european design.
- Strong metal legs and hard wearing footpads for extra stability.
- Indoor stacking chair specifically designed for versatility of use in many contemporary environments.
- Perfect for use in food courts, cafeterias, airports, shopping malls, hospitals, colleges, and universities.
- Stacks for easy storage.
- Easy to clean with soap and water.
- Rated to 300 lbs. for safe use.

Product Specifications						
Product Description	Reference Number	Color	UPC Code 014306	Weight Each (lbs.)	Master Pack	Master Pack Volume (cu. ft.)
Domino Stacking Chair	US410152	Fern Green/White	911915	13.88	12	46.00
	US041152	Fern Green/White	911915	13.26	4	21.60
	US410019	Orange/White	911885	13.88	12	46.00
	US041019	Orange/White	911885	13.26	4	21.60
	US414413	Beige/Taupe	911908	13.88	12	46.00
	US041413	Beige/Taupe	911908	13.26	4	21.60
	US410017	Black/White	911892	13.88	12	46.00
	US041017	Black/White	911892	13.26	4	21.60
<i>New Color!</i>	US410414	Red/White	911991	13.88	12	46.00
	US041414	Red/White	911991	13.26	4	21.60