



FOOD WARMERS: HOT TOPPING SINGLE WELL WARMERS, ROUND

Models FS, FSP & SBW



FS 82500



FSP 82060



SBW 86810
SIGNATURE TOUCH™

BID DESCRIPTION

All stainless steel construction with a polished finish. An adjustable, precalibrated thermostat controls the 500 watt heating element. Temperature settings are marked on thermostat knob. Power is controlled with an ON/OFF rocker switch.

FS & FSP water bath models dispense from a stainless steel jar (94009) or #10 can (not included). SBW includes (3) 16 oz (.47 L) bottles.

FS comes complete with lift-off lid and 1 oz (30 mL), 10" (25.4 cm) ladle (82561).

The FSP features a stainless steel pump with rugged cast valve body and welded construction. Maximum stroke yields 1 oz (30 mL) with gauging collars to reduce yield in 1/8 oz (3.7 mL) increments.

The SBW, Signature Touch™ is an FS base with a drop-in bottle holder and (3) 16 oz (.47 L) high-density squeeze bottles. This model safely heats your plating toppings.

STANDARD FEATURES

- Pump on FSP is designed to prevent loss of valve balls with a 1 oz (30 mL) stroke, adjustable in 1/8 ounce (3.7 mL) increments — allows for Portion Optimization™
- 500 watt heating element for reliable heating and holding
- Adjustable precalibrated thermostat for accurate heat control
- FS & FSP models dispense from Stainless Steel Jar or #10 can
- Signature Touch™(SBW) includes (3) 16 oz (.47 L) squeeze bottles for safe heating (BPA-free) while keeping your toppings handy for plating

ACCESSORY ITEMS

- 3 qt (2.8 L) Stainless Steel Jar 94009
- Stainless Steel Jar Storage Lid 94008
- Squeeze Bottle, 16 oz (.47 L) 86809



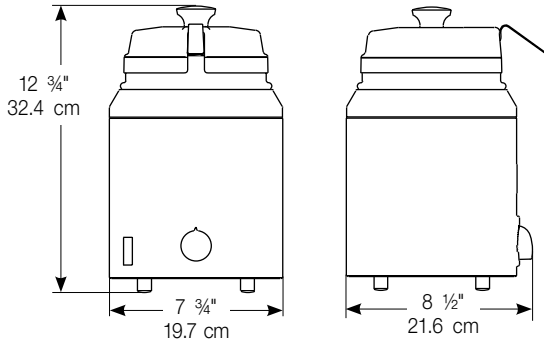
ALSO AVAILABLE FOR EXPORT

SPECIFICATIONS ON REVERSE SIDE

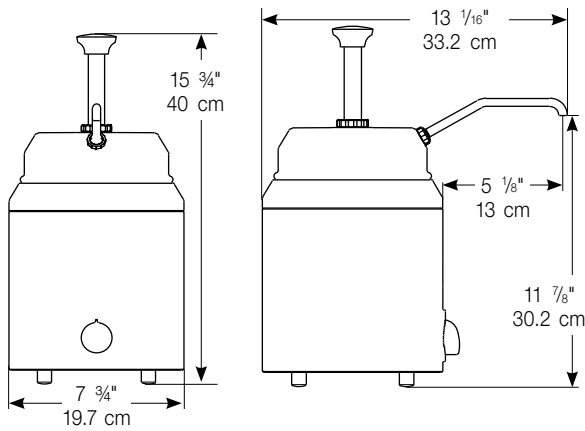
FOOD WARMERS: HOT TOPPING SINGLE WELL WARMERS, ROUND

Models FS, FSP & SBW

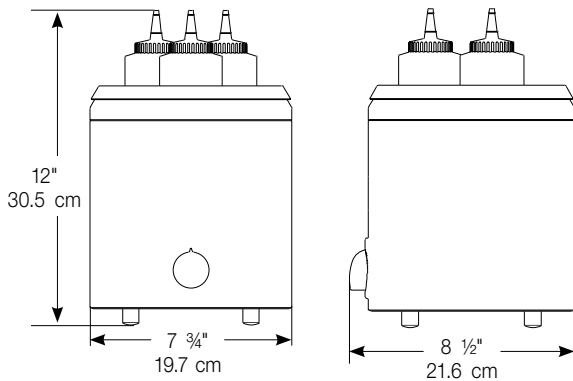
FUDGE SERVER FS 82500




FUDGE SERVER WITH PUMP FSP 82060




SIGNATURE TOUCH™ TOPPING WARMER



| MODELS | FS 82500  | FSP 82060 | SBW 86810 |
|------------|---|---------------------|-------------------|
| Height | 12 3/4" 32.4 cm | 15 3/4" 40 cm | 12" 30.5 cm |
| Width | 7 3/4" 19.7 cm | 7 3/4" 19.7 cm | 7 3/4" 19.7 cm |
| Depth | 8 1/2" 21.6 cm | 13 1/16" 33.2 cm | 8 1/2" 21.6 cm |
| Capacity | 3 qt 2.8 L | 3 qt 2.8 L | 48 oz 1.4 L |
| Weight | 8 lb 3.6 kg | 9 lb 4.1 kg | 8 lb 3.6 kg |
| Electrical | 120V, 60Hz, 500W, 4.2A, 72" (183 cm) cord set NEMA 5-15P, 15A, 125V PLUG | | |

FOB RICHFIELD, WISCONSIN 53076

NSF LISTED AS A RETHERMALIZATION UNIT TO ENSURE FOOD IS QUICKLY HEATED TO A SAFE TEMPERATURE BEFORE BACTERIA HAS AN OPPORTUNITY TO GROW. 

CAD LIBRARY

Individual CAD images can be downloaded from our website. We are also a member of The KCL CADalog with more than 100 other manufacturers. Our complete collection of CAD files can be purchased through Kochman Consultants, Ltd. at kclcad.com.

TWO YEAR WARRANTY

Server Products equipment is backed by a two-year limited warranty against defects in materials and workmanship. For a copy of our complete warranty statement, please refer to server-products.com.