

Project _____

Item Number _____

Quantity _____

DR14 / DR11



DR14 / DR11 Divider & Rounder

Models:

- DR14: DIVIDER & ROUNDER WITH 14 PORTION CUTTING HEAD
- DR11: DIVIDER & ROUNDER WITH 11 PORTION CUTTING HEAD



Divider & Rounder

Features:

- Bench model divider and rounder
- Manual cutting 14 or 11 portions
- Automatic rounding with timer

Optional Accessories:

- Stainless Steel dough pan for 14 portion cutter head
- Stainless Steel dough pan for 11 portion cutter head
- Tubular base
- Release oil
- 14 portion cutting head
- 11 portion cutting head
- Dough tray for 14 or 11 pieces

Standard Accessories:

- One cutting head (14 or 11)
- Aluminum Bowl (14 or 11)
- Two dough trays (14 or 11)
- One Cup Tray (14 or 11)

Univex Corporation

Warranty:

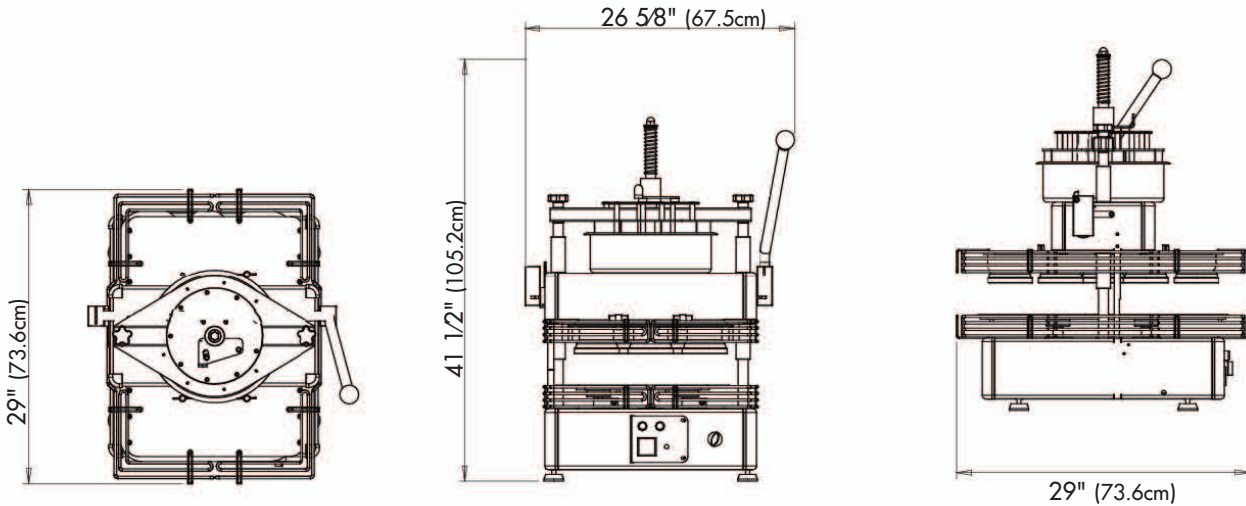
- One year, on-site parts and labor



WE RAISE THE BAR. WE SET THE STANDARD.

Divider & Rounder

DR14 / DR11



Controls: Stop and start push buttons. Timer for rounder operation.
Power on indicator lamp.

Drive: Belt drive

NEMA #: 5-15-P

Electrical Information (60Hz)				
	Voltage	Phase	Amps	hp(kW)
Standard Voltage	115	1	5.2	1/2 (.37)
Optional Voltage	220	1	2.7	1/2 (.37)

Required cup trays (one cup tray included in price, additional cup tray purchased individually) based on doughball size:

14 portions:
Cup tray "A" white: 8.8 to 10.6 oz (249.5 to 300.5g)
Cup tray "B" green: 6.2 to 7.9 oz (175.8 to 224g)
Cup tray "C" red: 5.3 to 7.1 oz (150.3 to 201.3g)
Cup tray "D" white: 3.9 to 5.3 oz (110.6 to 150.3g)
Cup tray "H" white: 7.8 to 9.3 oz (221.1 to 263.7g)

11 portions:
Cup tray "E" white: 16.9 to 22.9 oz (479.1 to 649.2g)
Cup tray "F" white: 11.3 to 16.9 oz (320.3 to 479.1g)
Cup tray "G" white: 10.7 to 12.8 oz (303.3 to 362.9g)

Shipping Information

Net Weight	Shipping Weight	Overall Dimensions	Cubic Measure
284 lbs. (128.8Kg)	392 lbs. (177.8Kg)	46" (116.8cm) H x 33" (83.8cm) W x 39" (99.1cm) D	33ft. ³ (0.93M ³)



Univex Corporation
www.Univexcorp.com

3 Old Rockingham Rd
Salem, NH 03079
United States of America

INTL TEL: (800)258-6358
TEL: (603)893-6191
INTL FAX: (800)356-5614
FAX: (603)893-1249