

Project	Item Number	Quantity
---------	-------------	----------

--	--	--

**SPZ40 / SPZ50**

**PIZZA SPREADER**

**Univex Corporation**



## SPZ40 / SPZ50

# PIZZA SPREADER

**Models:**

- SPZ 40
- SPZ 50

**Features**

- Bench model pizza spreader.
- Patented micro rolling system.
- Execution of the edge.
- Adjustable pizza crust.
- Automatic start and stop.
- Cord and plug.

**Standard Accessories**

- SPZ40 15.75" (40cm) ring with felt.
- SPZ50 19.68" (50cm) ring with felt.

**Optional Accessories**

- Additional 15.75" (40cm) ring with felt.
- Additional 19.68" (50cm) ring with felt.
- Stand with wheels.

**Warranty**

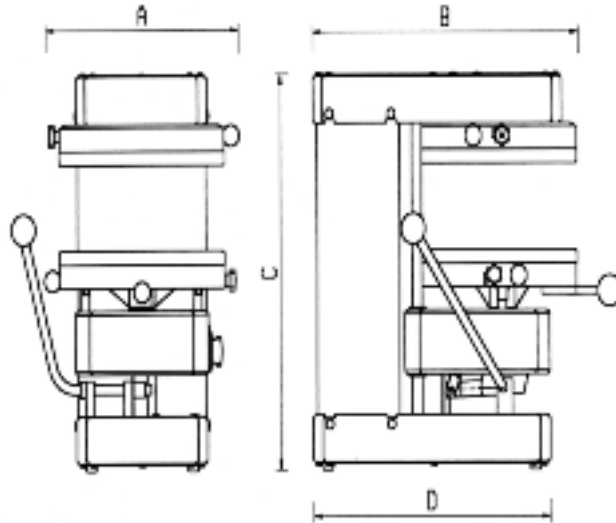
- One-year, on-site parts & labor warranty

**WARRANTY DETAILS**

The SPZ series pizza spreaders carry a one-year, on-site parts and labor warranty against any flaws in materials and workmanship. This period begins on the date of purchase and, provided the unit is used in accordance with our instructions, is in full effect for one year from that date. Any work performed under this warranty must be performed between the hours of 8:00 a.m. and 5:00 p.m. Monday through Friday. Univex will not pay for overtime charges for work performed other than during normal business hours. Damage incurred in transit or from installation error, accident, alteration or misuse is not covered. Univex shall not be liable for any consequential compensatory, incidental, or special damages. Contact the Univex service department for any warranty claims.

# PIZZA SPREADER

# SPZ40 / SPZ50



**Shipping Information:**

Freight Class: 85

	SPZ40	SPZ50
Net Weight:	264 lb. (120 Kg)	330 lb. (150 Kg)
Shipping Weight:	375 lb. (170Kg)	440 lb. (200 Kg)
Shipping Crate Dimensions:		
Height:	45.7" (1160mm)	45.7" (1160mm)
Width:	32.7" (830mm)	32.7" (830mm)
Depth:	38.6" (980mm)	38.6" (980mm)
Cubic measure:	33ft <sup>3</sup> (.94M <sup>3</sup> )	33ft <sup>3</sup> (.94M <sup>3</sup> )

**Dimensions:**

	SPZ40	SPZ50
A) Overall width:	18.9" (480mm)	21.7" (550mm)
B) Overall length:	26.0" (660mm)	32.3" (820mm)
C) Overall height:	29.5" (760mm)	32.7" (830mm)
D) Base length:	23.2" (590mm)	28.3" (720mm)

**Motor:**

SPZ40: 3/4 hp.  
 SPZ50: 1 hp.

**Electrical:**

Standard: 115V,60HZ,1PH  
 SPZ40: 4.0A (.55 Kw)  
 SPZ50: 5.0A (.75 Kw)

Contact factory for additional voltages and certifications

**Drive:** Belt drive.

**Controls:** Stop and start push buttons.  
 Timer for rounder operation. Power on indicator lamp.