



Dimensions and weights		
Width		
With packaging	[in]	22.83
Without packaging	[in]	20.27
Depth		
With packaging	[in]	35.82
Without packaging	[in]	30.58
Height		
With packaging	[in]	43.82
Without packaging	[in]	35.63
Weight		
With packaging	[lbs]	183
Without packaging	[lbs]	154.5
Safety clearances		
Rear	[in]	2.00
Right-hand side	[in]	2.00
Left-hand side	[in]	2.00
Top (larger clearance recommended for servicing)	[in]	20.00

Height with easyTouch controls		
Units with easyTouch controls are 0.79" taller than the specified height.		

Electrical ratings		
3~ 208/240V 60Hz (3/PE)		
Rated power consumption	[kW]	11.25
Hot air output (rated tubular heating element output)	[kW]	10.2
Motor output	[kW]	0.25
Rated current	[A]	27.1
Supplied with a 4 conductor 6 foot long cord	AWG	8
Conductor insulation rating		SOOW
Plug (customer supplied)	NEMA	15-50P or L15-50P

Heat loss		
Latent	[BTU/h]	1740
Sensible	[BTU/h]	1911

Water connection		
Water supply (cold only)		
Shut-off device		The unit must be installed with an appropriate backflow preventer in order to comply with all applicable federal, state, and local laws and regulations.
Water supply		
Connection		Two 3/4" inner diameter GHT-M (garden hose adapter). The unit is designed for a permanent hookup to the water supply that uses a connecting hose with a minimum diameter of 1/2"
Flow pressure	[psi]	43.51 - 87.02 (3 - 6 bar)

Water drain		
Version		Naturally ventilated pipe to open pan or drain/channel, min. 1" ventilation clearance
Type	[in]	1½ (minimum inner diameter)

Water hardness for water injection		
Water quality		Drinking water Soft water
Hardness	[ppm]	70 - 125 (4 - 7 gpg)
TDS (total dissolved solids)	[ppm]	70 - 125
Total alkalinity	[ppm]	50 - 100

Water hardness for cleaning		
Water quality		Drinking water Hard water (or soft water; see above for specification)
Hardness	[ppm]	70 - 360 (4 - 21 gpg)
TDS (total dissolved solids)	[ppm]	70 - 360
Total alkalinity	[ppm]	50 - 100

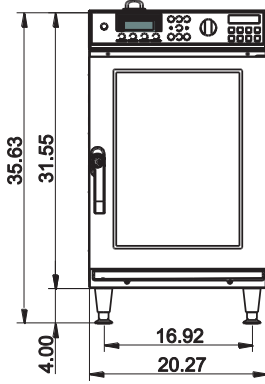
Figures		
Temperature	[°F]	max. 104
pH value		6.5 - 8.5
Cl <sup>-</sup> (chloride)	[ppm]	max. 100
Cl <sub>2</sub> (free chlorine)	[ppm]	max. 0.2
SO <sub>4</sub> <sup>2-</sup> (sulfate)	[ppm]	max. 150
Fe (iron)	[ppm]	max. 0.1
SiO <sub>2</sub> (silicate)	[ppm]	max. 13

Maximum permissible loading weight		
Standard size bakeware (containers, oven racks, sheet pans)		
Per combi oven	[lbs]	66
Per shelf	[lbs]	11

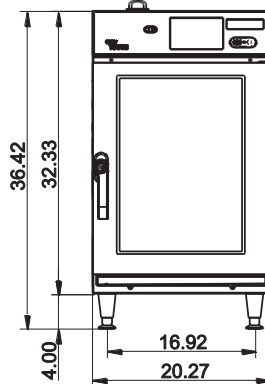
Capacity		
Qty.		
13" x 18" half size sheet pans	[pcs]	10
12" x 20" by 2 1/2" steam table pans	[pcs]	5
12" x 20" wire fry baskets	[pcs]	5
Plates with diameter of up to 26 cm (for rethermalization only)	[pcs]	12

Unit specifications		
Protection rating		IPx4
Conformity/certification marks in accordance with the applicable country-specific regulations		UL
Noise emissions		
Measured	[dBA]	max. 60

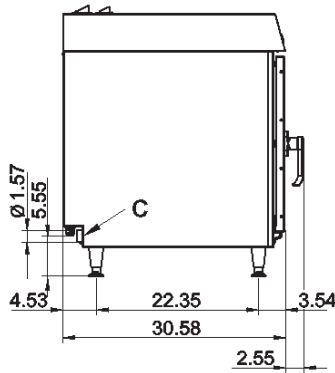
View for standard controls



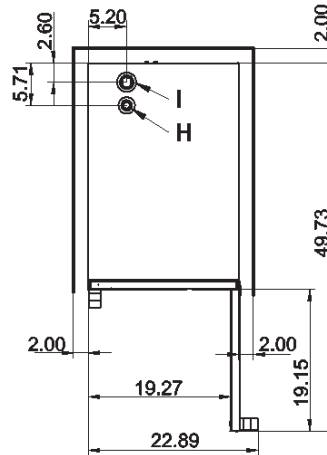
View for easyTouch



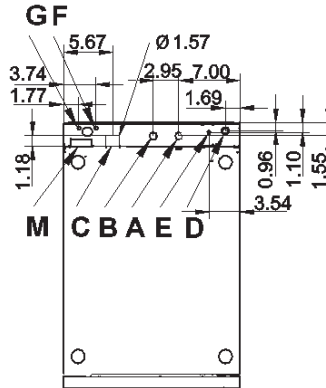
Side view



View from above with wall clearances



Connections at bottom of unit



Key

A	Water connection Soft water, 3/4" GHT	E	Bonding	H	Air vent
B	Water connection Cold water, 3/4" GHT	F	Rinse aid connection (Neutralizer)	I	Ventilation port
C	Drain Connection 1 1/2"	G	Cleaning agent connection (Cleaner)	M	Overflow
D	Electrical connection				

This document is meant to be used for planning purposes only. For installation and setup instructions, please refer to the installation manual.

