

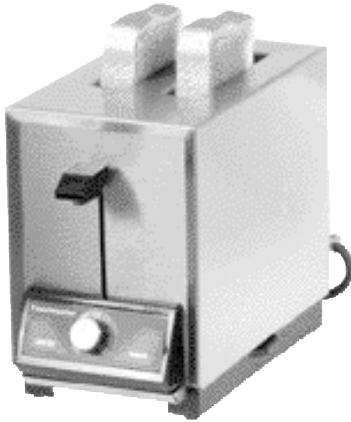


Foodservice Equipment

Job \_\_\_\_\_ Item# \_\_\_\_\_

# Solid-State Pop-Up Toasters Bread & Texas Toast Toasters

*TP209, TP224, TP409, TP4C09, TP424, TP430*



TP209/224



TP409/424/430

*Models shown may ship UPS*

### Application:

Commercial electronic pop-up food toasters are designed to uniformly toast bread, frozen waffles and many other foods consistently.

### General Information:

Commercial two and four slot pop-up type bread toaster has toasting slots in the top.

Each slot is:

1-1/8" (28.6mm) Wide x

5-1/4" (133mm) Long

Each toasting chamber is equipped with oven guide wires, and lowering rack.

### Model TP Series Toasters Feature:

- Solid state timer control(s)
- Electrical heating elements that provide uniform heat and even toasting
- Operating lever(s) and color selection knob(s)
- Removable crumb tray

### Construction:

Construction is of formed and welded sheet steel. Finish is brushed stainless steel with a bright anneal (mirrored) finish on the front panel. A front pullout crumb tray is provided for easy cleaning.

### Electrical:

Models are single phase. Toasters are equipped with a two pole switch that energizes the elements when the operating lever is depressed. Toasters are furnished with factory installed 36" cord with NEMA plug.



### Heating:

Insulated ceramic etched foil heaters are installed on both sides of each toasting chamber.

### Controls:

Each two-slot section is controlled by a lever operated mechanism, it is equipped with color selector knob coupled with solid state controls having temperature and voltage compensators. When operating lever is depressed, bread racks are lowered, and elements are energized simultaneously. At the end of the toasting cycle, elements are de-energized, and bread racks are automatically raised by a coil spring

### Capacity:

The two slot toaster will toast 2 slices of bread per load; and up to 150 slices per hour.

### Warranty:

Warranted for one year covering parts and labor. Call factory for warranty authorization.

### NEMA PLUGS



NEMA 5-20P



NEMA 5-30P



NEMA 6-20P



NEMA 5-15P



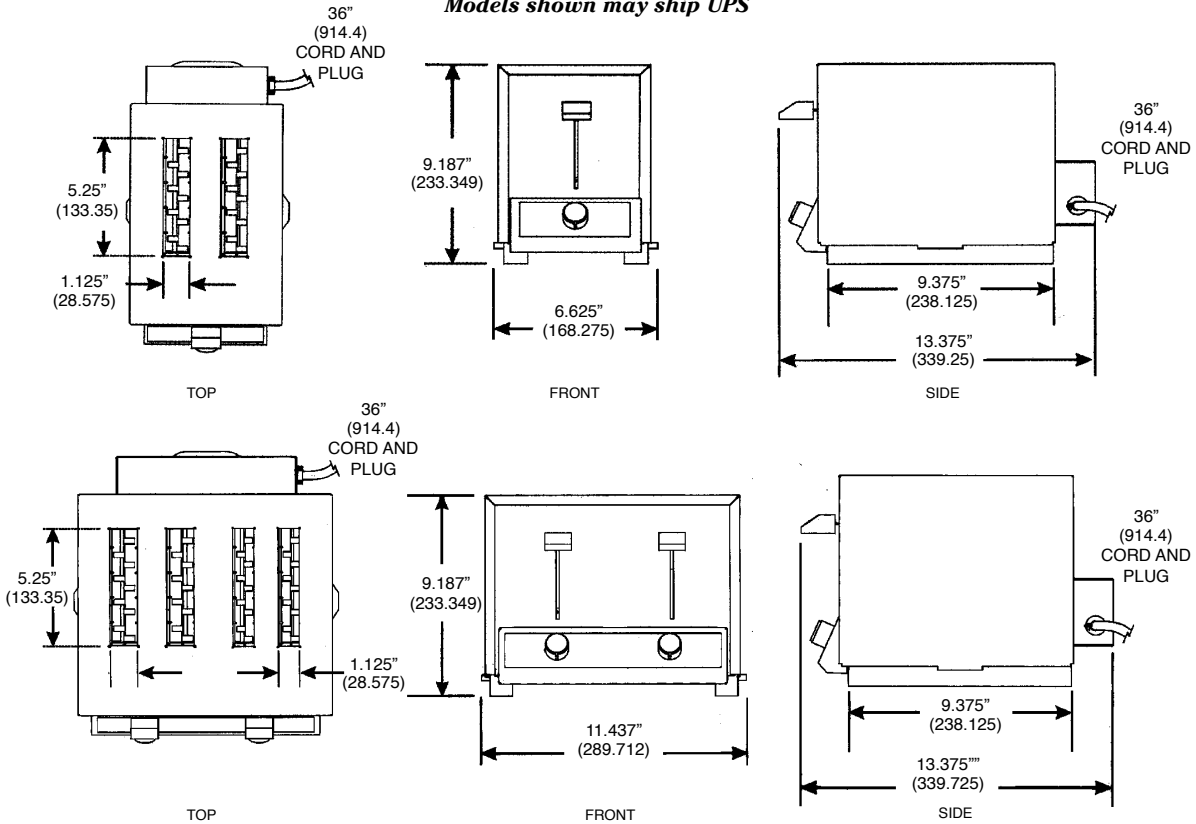
NEMA 6-15P

**Toastermaster®** 10 Sunnen Dr. St. Louis, MO 63143 • [www.toastmastercorp.com](http://www.toastmastercorp.com)

Toll Free: 1-800-264-7827 • Telephone: 1-314-781-2777 • Toll Free Fax: 1-800-264-6666 • Fax: 314-781-3636

# Solid-State Pop-Up Toasters • Bread & Texas Toast Toasters

Models shown may ship UPS



|                               | TWO SLOT   |            | FOUR SLOT  |            |            |                        |
|-------------------------------|------------|------------|------------|------------|------------|------------------------|
| Model Number                  | TP209      | TP224      | TP409      | TP4C09     | TP424      | TP430                  |
| Slots                         | 2          | 2          | 4          | 4          | 4          | 4                      |
| Slices per Hour               | 150        | 150        | 250        | 250        | 250/300    | 250/300                |
| Supply (1 phase)              | 120 V      | 208/240 V  | 120 V      | 120 V      | 208/240 V  | 208 V                  |
| Current Draw                  | 9.0 A      | 4.8/5.4 A  | 18.3 A     | 18.3 A     | 9.6/10.8 A | 12.5 A                 |
| Rated Heat Input              | 1.1 KW     | 1.0/1.3 KW | 2.2 KW     | 2.2 KW     | 2.0/2.6 KW | 2.6 KW                 |
| Factory Installed Cord & Plug | NEMA 5-15P | NEMA 6-15P | NEMA 5-20P | NEMA 5-30P | NEMA 6-15P | (Canada)<br>NEMA 6-20P |
| Slot Width                    | 1-1/8"     | 1-1/8"     | 1-1/8"     | 1-1/8"     | 1-1/8"     | 1-1/8"                 |
| Slot Depth                    | 5-1/4"     | 5-1/4"     | 5-1/4"     | 5-1/4"     | 5-1/4"     | 5-1/4"                 |
| Width                         | 6-5/8"     | 6-5/8"     | 11-7/16"   | 11-7/16"   | 11-7/16"   | 11-7/16"               |
| Depth                         | 13-3/8"    | 13-3/8"    | 13-3/8"    | 13-3/8"    | 13-3/8"    | 13-3/8"                |
| Height                        | 9-3/16"    | 9-3/16"    | 9-3/16"    | 9-3/16"    | 9-3/16"    | 9-3/16"                |
| Ship Weight                   | 12.3 lbs.  | 12.3 lbs.  | 21 lbs.    | 21 lbs.    | 21 lbs.    | 21 lbs.                |

**INTENDED FOR COMMERCIAL USE ONLY. NOT FOR HOUSEHOLD USE.**



Toastmaster, in line with its policy to continually improve its product, reserves the right to change materials or specifications without notice. Such revisions do not entitle the buyer to corresponding changes, improvements, additions, or replacements for previously purchased equipment.



**Toastmaster®** 10 Sunnen Dr. St. Louis, MO 63143 • [www.toastmastercorp.com](http://www.toastmastercorp.com)

Toll Free: 1-800-264-7827 • Telephone: 1-314-781-2777 • Toll Free Fax: 1-800-264-6666 • Fax: 314-781-3636