

HD & HS Models HOD & HOS Models

High Performance • High Reliability • High Mobility

Model 55HD
Model 75HD
with Drain Down Filter
for fryers with drain valves

- Model H series of filter machines all have a premium quality hand operated hot oil pump produced in the U. S. by MirOil

Moves 30 lbs of oil per minute

- All H series filter machines move over uneven surfaces on 8 inch wheels
- HD & HS models have a coated oil drum that sits in a high mobility trolley
The oil drum has a detachable lid with quick locking clips
- HOD & HOS models feature safe transport of hot oil
employing a rugged, stainless basin fitted with safety splash lid
- All H series feature the high performance EZ Flow™ filters

Model 55HD & 75HD - 1 Way Pumping
Model 55HS & 75HS - 2 Way Pumping

HOD Models - 1 Way Pumping
HOS Models - 2 Way Pumping



Specifications										
Fryer Oil Capacity	50 lb 30 quart 28 litre	75 lb 40 quart 38 litre	70 lb 40 quart 38 litre	85 lb 48 quart 45 litre	105 lb 60 quart 57 litre					
For fryers with drain valves	55HD	75HD	HOD 0640	HOD 0800	HOD 1050					
Drain Down Filter Bag	RB6Ps	RC88Ps	D900B	FM1812B	FM1812B					
For fryers without drain valves	55HS	75HS	HOS 0640	HOS 0800	HOS 1050					
Pump Out Filter Bag	PUM11B**	PUM11B**	PUM11B**	PUM11B**	PUM11B**					
Weights	Pump Module	Pump Accessories	Pump Module	Pump Accessories	Pump Module	Pump Accessories	Pump Module	Pump Accessories	Pump Module	Pump Accessories
	34 lb	30 lb	34 lb	30 lb	22 lb	43 lb	22 lb	52 lb	22 lb	54 lb

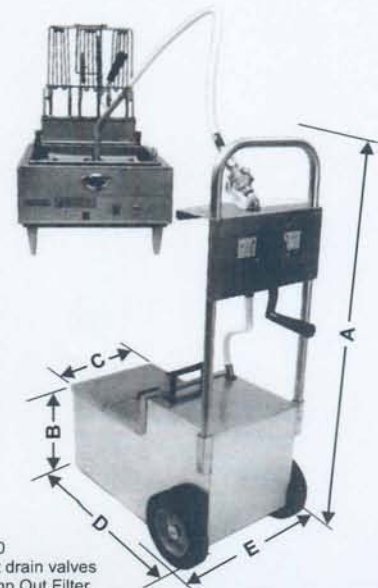
**PUM11B filter is for 28 lb and 40 lb size countertop fryers
Alternate WDY8 filter is for smaller size countertop fryers

Dimensions

	55HD 55HS	75HD 75HS	HOD 0640 HOS 0640	HOD 0800 HOS 0800	HOD 1050 HOS 1050
A	41.0" 104cm	41.0" 104cm	43.0" 109cm	43.0" 109cm	43.0" 109cm
B	12.0" 30.5cm	12.0" 30.5cm	12.0" 30.5cm	10.5" 26.7cm	12.0" 30.5cm
C	16.6" 42.2cm	19.6" 49.8cm	11.5" 29.2cm	11.5" 29.2cm	11.5" 29.2cm
D	21.5" 54.6cm	24.5" 62.2cm	24.5" 62.2cm	32.0" 81.3cm	32.0" 81.3cm
E	18.5" 47.0cm	20.0" 50.1cm	16.0" 40.6cm	16.0" 40.6cm	16.0" 40.6cm

Selecting the correct filter machine

- Choose **HD or HOD** machine & the drain down filter for fryers with drain valves
- Choose **HS or HOS** machine & the pump out filter for counter top fryers
- When a kitchen has both counter top fryers without drain valves and fryers with drain valves, choose model **HS or HOS** plus add a drain down filter.



Model HOS 0640
for fryers without drain valves
with PUM11 Pump Out Filter

For assistance call 1-800-523-9844 or visit us at www.miroil.com email info@miroil.com

Find this product at: **Central**
RESTAURANT PRODUCTS

1-866-285-1252



*Dual Function
Power Filter Machines & Discard Trolleys*

Value Models **BD 505 & BD 707**

High Performance • High Reliability • High Mobility

- **Full ½ hp heavy duty, high volume electric pump**
- **High mobility trolley for safe transport of hot oil**
Moves easily on 8 inch wheels and heavy duty casters
- **Rugged, coated steel oil pan**
Fits under fryer valves with low clearance (see dimensions “B”)
- **High Performance EZ Flow™ filter**
“Rinse & Reuse” for low filtering costs

Selecting the correct filter machine

- Choose model **BD 505** or **BD 707** with 1 way pumping for fryers with drain valves
- Choose model **BS 505** or **BS 707** with 2 way pumping for countertop fryers with lift out Frypans (no drain valves)
- When a kitchen has both counter top fryers without drain valves and fryers with drain valves, choose model **BS 505** or **BS 707** plus add a drain down filter.



Model BD 505 shown with optional heavy crumb load filter (model D905)

Specifications

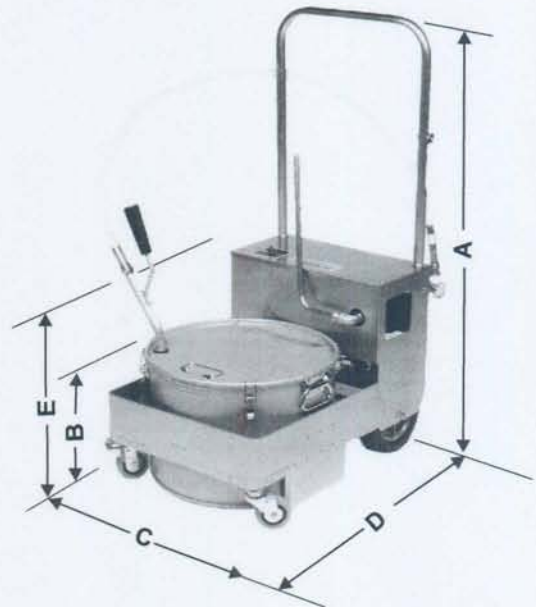
Fryer Oil Capacity	55 lb 30 quart 28 liter	75 lb 40 quart 38 liter	55 lb 30 quart 28 liter	75 lb 40 quart 38 liter
Model	BD 505	BD 707	BS 505	BS 707
High performance Filter Bag Model	RB6Ps	RC88Ps	PUM11B**	PUM11B**
High performance Filter Assembly Model	B6Ps	C88Ps	PUM11A	PUM11A
Heavy crumb load Filter Bag Model	D900B	F919B	D900B	F919B
Heavy crumb load Filter Assembly Model	D905A	F919A	D905A	F919A
Carton Weights	85 lb	90 lb	85 lb	90 lb

**PUM11B filter is for 28 lb and 40 lb size countertop fryers
Alternate WDY8 filter is for smaller size countertop fryers

Dimensions

	BD 505		BD 707	
A	40.0"	101.6cm	36.0"	91.4cm
B	11.8"	29.9cm	12.1"	30.8cm
C	16.6"	42.2cm	19.0"	48.3cm
D	24.8"	63.0cm	27.2"	69.1cm
E	17.4"	44.2cm	17.4"	44.2cm

Model BD 505 & BD 707 1 way pumping
Model BS 505 & BS 707 2 way pumping



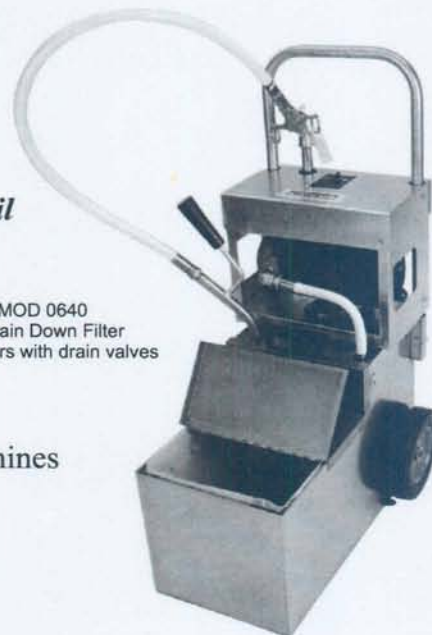


Dual Function
Power Filter Machines & Discard Trolleys

Models MOD & MOS

High Performance • High Reliability • High Mobility

- Full 1/2 hp heavy duty, high volume electric pump
- High mobility, rugged, stainless oil basin for safe transport of hot oil
Moves easily over uneven surfaces on 8 inch wheels
- High Performance EZ Flow™ basin filter
Fitted with removable, hinged, safety splash lid
6 month + filter life assures low filtering costs
- Width of mobility basin is only 11.7"
Functions as a replacement for many fryers with built-in filter machines
Fits under fryer valves with low clearance (see dimensions "B")



Model MOD 0640
with Drain Down Filter
for fryers with drain valves

Selecting the correct filter machine

- Choose MOD machine & drain down filters for fryers with drain valves
- Choose MOS machine & pump out filters for counter top fryers
- When a kitchen has both counter top fryers without drain valves and fryers with drain valves, choose model MOS plus add a drain down filter.

Specifications

Fryer Oil Capacity	70 lb 40 quart 38 litre	85 lb 48 quart 45 litre	105 lb 60 quart 57 litre	200 lb 115 quart 108 litre
Filter machines for fryers with drain valves	MOD 0640	MOD 0800	MOD 1050	MOD 1550
Drain Down Filter Bag	D900B	FM1812B	FM1812B	POD160
Filter machines for fryers with drain valves	MOS 0640	MOS 0800	MOS 1050	MOS 1550
Pump Out Filter Bag	PUM11B**	PUM11B**	PUM11B**	PUM11B**

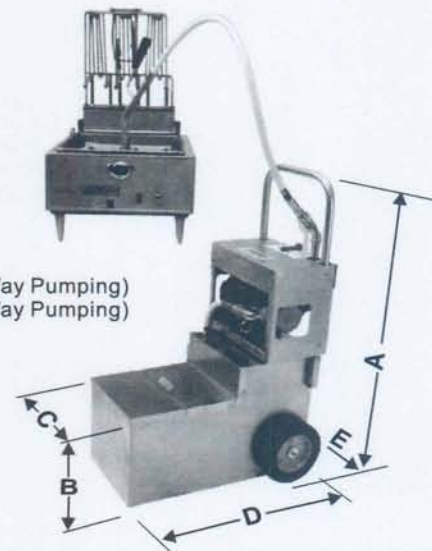
**PUM11B filter is for 28 lb and 40 lb size countertop fryers
Alternate WDY8 filter is for smaller size countertop fryers

Pump displacement for MOD 0640 is 5 GPM - Optional 7 GPM is available
Pump displacement for MOD 0800 & MOD 1050 is 7 GPM
Pump displacement for MOD 1550 is 7 GPM or 10 GPM

Shipping Weights

MOD 0640 MOS 0640		MOD 0800 MOS 0800		MOD 1050 MOS 1050	
Pump Module	Pump Accessories	Pump Module	Pump Accessories	Pump Module	Pump Accessories
46 lb	43 lb	46 lb	52 lb	46 lb	52 lb

All filter machines are shipped by UPS except Models MOD1550 & MOS1550.
Models MOD1550 & MOS1550 weigh 120 lbs and are shipped by truck.



MOD Models (1 Way Pumping)
MOS Models (2 Way Pumping)

Dimensions

	MOD 0640 MOS 0640	MOD 0800 MOS 0800	MOD 1050 MOS 1050	MOD 1550 MOS 1550
A	37.0" 94.0cm	37.0" 94.0cm	37.0" 94.0cm	37.0" 94.0cm
B	12.0" 30.5cm	10.5" 26.7cm	12.0" 30.5cm	12.5" 31.8cm
C	11.5" 29.2cm	11.5" 29.2cm	11.5" 29.2cm	23.0" 58.5cm
D	24.5" 62.2cm	32.0" 81.3cm	32.0" 81.3cm	37.0" 94.0cm
E	16.0" 40.6cm	16.0" 40.6cm	16.0" 40.6cm	29.8" 75.7cm