

ITEM #: _____	QTY: _____
MODEL #: _____	
PROJECT NAME: _____	

063017

3601 S. Banker St. Effingham, IL 62401 • P.O. BOX 609 • Ph: (888) 431-2667 • Fax: (800) 433-2667

"BMS" MICROWAVE SHELVES - STAINLESS STEEL



FEATURES:

- TYPE 300 STAINLESS STEEL W/ #4 POLISH, SATIN FINISH
- FINISHED W/ A SAFETY STALLION FRONT EDGE W/ RAISED LIP
- MOVES YOUR MICROWAVE UP TO A CONVENIENT EYE LEVEL
- FREES UP VALUABLE COUNTER WORK SPACE
- CONSTRUCTED SPECIFICALLY TO EASILY HOLD ALL POPULAR SIZE MICROWAVES
- ELECTRIC CORD CUT-OUT WITH RUBBER GROMMET
- SHIPS UPS
- ALL MODELS ARE NSF CERTIFIED

CONSTRUCTION:

- STAINLESS STEEL SHELVES ARE TIG WELDED
- EXPOSED WELDS ARE POLISHED TO MATCH ADJACENT SURFACE

MATERIAL:

- SHELF: 16 GAUGE TYPE 300 STAINLESS STEEL W/ #4 POLISH, SATIN FINISH

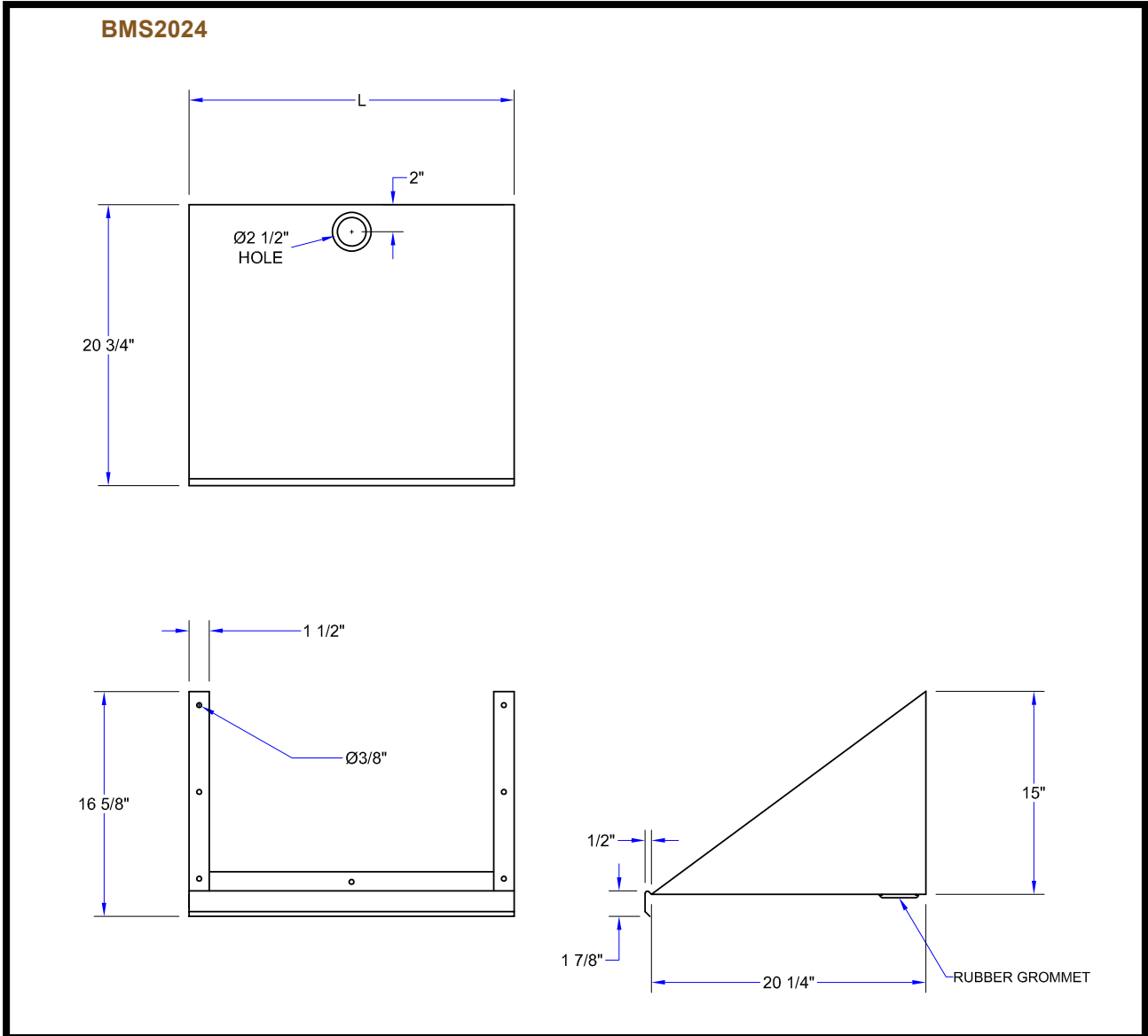


ELECTRIC CORD CUT-OUT WITH RUBBER GROMMET

TYPE 300 STAINLESS STEEL MICROWAVE SHELF

SIZES	MODEL	QTY
20" X 24"	BMS2024	
20" X 30"	BMS2030	

DETAILED SPECIFICATIONS



TYPE 300 STAINLESS STEEL MICROWAVE SHELF

MODEL	SIZE	WT. (LBS)
BMS2024	20" X 24"	30
BMS2030	20" X 30"	39

SOME UNITS SHIP UNASSEMBLED FOR REDUCED SHIPPING COST. ALL DIMENSIONS ARE TYPICAL. TOLERANCE +/- .500"
 John Boos & Co. is constantly engaged in a program of improving products and therefore reserves the right to change specifications without prior notice.

