



"EWS8" Stainless Steel Wall Shelves

w/ 1 1/2" Turned up Backsplash



AUTOQUOTES



TYPE 300 STAINLESS STEEL WALL SHELF			
12"WIDE	Qty	16"WIDE	Qty
EWS8-1224		EWS8-1624	
EWS8-1236		EWS8-1636	
EWS8-1248		EWS8-1648	
EWS8-1260		EWS8-1660	
*EWS8-1272		*EWS8-1672	
*EWS8-1284		*EWS8-1684	
*EWS8-1296		*EWS8-1696	

FEATURES:

- * Stainless Steel Shelf
Type 300 stainless steel with # 4 polish, satin finish
- * Finished with a **Safety** Stallion Front Edge
- * 1 1/2" Turned up Backsplash
- * 12" or 16" depth
- * Shipped knocked-down, easy - to - assemble **Most Ship UPS**
- * All models are approved by the National Sanitation Foundation

* (ASTERISK) denotes 3 support brackets

CONSTRUCTION:

- * Stainless Steel Shelves are TIG welded
Exposed welds are polished to match adjacent surface

MATERIAL:

- Shelf: 18 gauge type 300 stainless steel, # 4 polish, satin finish.
- Brackets: 18 gauge type 300 stainless steel, # 4 polish, satin finish.

Click here to buy now!

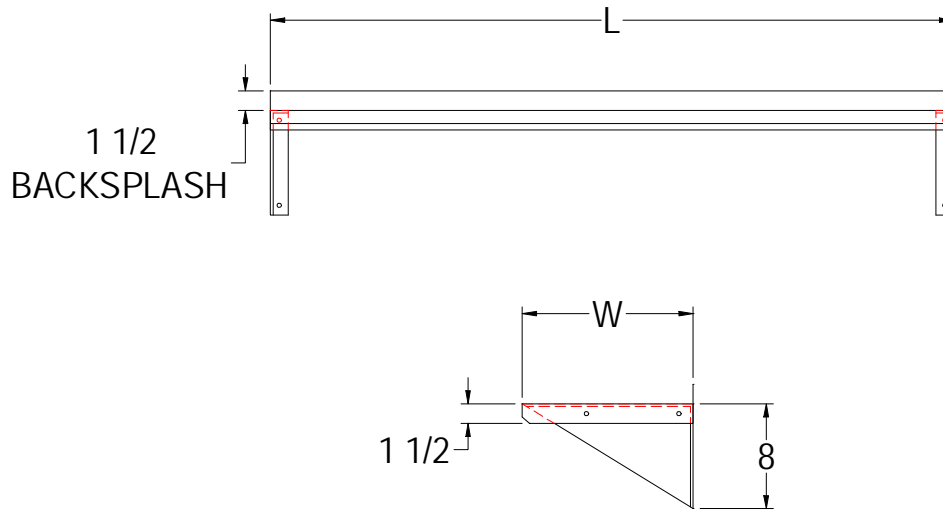


1-866-285-1252

John Boos & Co

3601 S. Banker Str - Effingham, IL 62401
 Phone: 217-347-7701 - Fax: 217-347-7705
 Email: sales@johnboos.com - Web-site www. johnboos.com

DETAILED SPECIFICATIONS



All units ship unassembled for reduced shipping cost.
 Units 6 ft. and larger are furnished with 3 support brackets
 All dimensions are typical.
 Tolerance +/- .500".

STAINLESS STEEL WALL SHELVES

L	12" WIDE	WT.	16" WIDE	WT.
24	EWS8-1224	8	EWS8-1624	10
36	EWS8-1236	12	EWS8-1636	14
48	EWS8-1248	16	EWS8-1648	18
60	EWS8-1260	21	EWS8-1660	24
72	EWS8-1272	25	EWS8-1672	30
84	EWS8-1284	29	EWS8-1684	35
96	*EWS8-1296	33	*EWS8-1696	38

John Boos & Co

3601 S. Banker Str - Effingham, IL 62401 Phone: 217-347-7701 - Fax: 217-347-7705
 Email: sales@johnboos.com - Web-site: www.johnboos.com



July 2013

John Boos is constantly engaged in a program of improving products and therefore reserves the right to change specification without prior notice