



STAINLESS STEEL
SQUARE CORNER SCULLERY
BUDGET SINKS

"400" Series "600" Series



ONE COMPARTMENT



TWO COMPARTMENT



THREE COMPARTMENT



FOUR COMPARTMENT

Item #: _____ **Qty #:** _____
Model #: _____
Project #: _____

Find this product at:



1-866-285-1252

MATERIAL:

"400" Series is 16 gauge type 430 Series.
 "600" Series is 16 gauge type 304 Series.
 Galvanized tubular legs.
 1" adjustable plastic bullet feet.

CONSTRUCTION:

All heli-arc welded.
 Welded areas blended to match adjacent surfaces and to a satin finish.

MECHANICAL:

Supply is 1/2" hot & cold.
 Faucet holes on 8" O.C.
 Waste drains are 1 1/2" IPS basket type and are included.
 Faucets are not included (see accessories).
 Four compartment units require two faucets.
 Three compartment units with 24" sink bowls require two faucets.

DETACHABLE DRAINBOARDS



Drainboards 36" and 48" are supplied with legs for support.

Model #	Qty
N-5-818	
N-5-18	
N-5-24	
N-5-30	
N-5-36	
N-5-48	
N-54-24	
N-54-36	
N-54-48	



Customer Service Available To Assist You **1-800-645-3166** 8:30 am - 8:00 pm E.S.T.

Email Orders To: customer@advancetabco.com. For Smart Fabrication™ Quotes, Email To: smartfab@advancetabco.com or Fax To: 631-586-2933

NEW YORK
 Fax: (631) 242-6900

GEORGIA
 Fax: (770) 775-5625

TEXAS
 Fax: (972) 932-4795

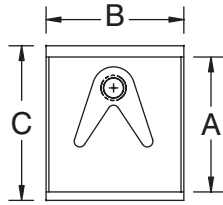
NEVADA
 Fax: (775) 972-1578

DIMENSIONS and SPECIFICATIONS

TOL Overall: ± .500" Interior: ± .250"

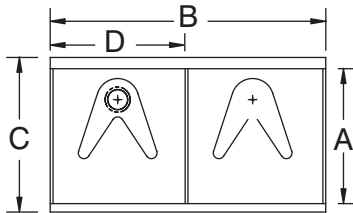
ALL DIMENSIONS ARE TYPICAL

ONE COMPARTMENT



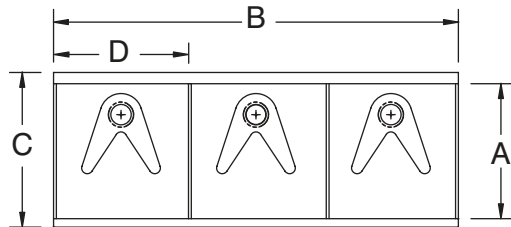
A	B	C	400 Series 16 Ga. S/S 430		600 Series 16 Ga. S/S 300		Ship Weight
			Model	Weight	Model	Weight	
18"	18"	21 1/2"	4-81-18	45 lbs.	6-81-18	45 lbs.	
21"	18"	24 1/2"	4-1-18	47 lbs.	6-1-18	47 lbs.	
21"	24"	24 1/2"	4-1-24	53 lbs.	6-1-24	53 lbs.	
21"	36"	24 1/2"	4-1-36	66 lbs.	6-1-36	66 lbs.	
24"	24"	27 1/2"	4-41-24	53 lbs.	6-41-24	53 lbs.	
24"	36"	27 1/2"	4-41-36	69 lbs.	6-41-36	69 lbs.	

TWO COMPARTMENTS



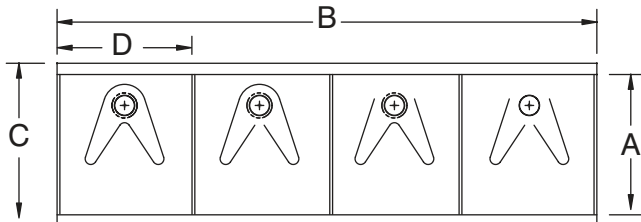
A	B	C	D	400 Series 16 Ga. S/S 430		600 Series 16 Ga. S/S 300		Ship Weight
				Model	Weight	Model	Weight	
21"	36"	24 1/2"	18"	4-2-36	73 lbs.	6-2-36	73 lbs.	
21"	48"	24 1/2"	24"	4-2-48	86 lbs.	6-2-48	86 lbs.	
21"	60"	24 1/2"	30"	4-2-60	100 lbs.	6-2-60	100 lbs.	
24"	48"	27 1/2"	24"	4-42-48	88 lbs.	6-42-48	88 lbs.	
24"	60"	27 1/2"	30"	4-42-60	108 lbs.	6-42-60	108 lbs.	

THREE COMPARTMENTS



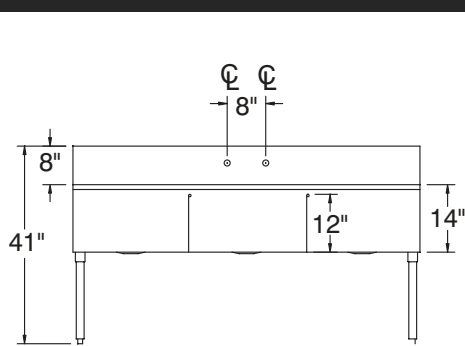
A	B	C	D	400 Series 16 Ga. S/S 430		600 Series 16 Ga. S/S 300		Ship Weight
				Model	Weight	Model	Weight	
21"	36"	24 1/2"	12"	4-3-36	78 lbs.	6-3-36	78 lbs.	
21"	48"	24 1/2"	16"	4-3-48	91 lbs.	6-3-48	91 lbs.	
21"	54"	24 1/2"	18"	4-3-54	98 lbs.	6-3-54	98 lbs.	
21"	72"	24 1/2"	24"	4-3-72	115 lbs.	6-3-72	115 lbs.	
24"	60"	27 1/2"	20"	4-43-60	105 lbs.	6-43-60	105 lbs.	
24"	72"	27 1/2"	24"	4-43-72	120 lbs.	6-43-72	120 lbs.	

FOUR COMPARTMENTS

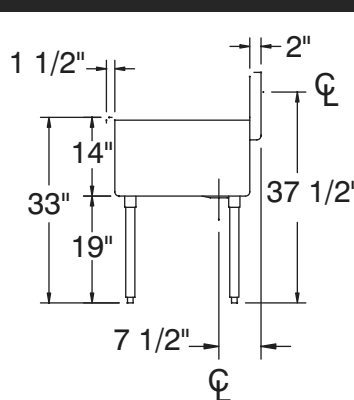


A	B	C	D	400 Series 16 Ga. S/S 430		600 Series 16 Ga. S/S 300		Ship Weight
				Model	Weight	Model	Weight	
21"	48"	24 1/2"	12"	4-4-48	96 lbs.	6-4-48	96 lbs.	
21"	60"	24 1/2"	15"	4-4-60	115 lbs.	6-4-60	115 lbs.	
21"	72"	24 1/2"	18"	4-4-72	120 lbs.	6-4-72	120 lbs.	

FRONT VIEW



PLUMBING ROUGH-IN



DETACHABLE DRAINBOARDS

Size	18 Ga. S/S 430	Ship Weight
18 x 18	N-5-818	10 lbs.
21 x 18	N-5-18	11 lbs.
21 x 24	N-5-24	12 lbs.
21 x 30	N-5-30	22 lbs.
21 x 36	N-5-36	25 lbs.
21 x 48	N-5-48	28 lbs.
24 x 24	N-54-24	18 lbs.
24 x 36	N-54-36	32 lbs.
24 x 48	N-54-48	36 lbs.

