

Click here to buy now!



STAINLESS STEEL

# 18 GAUGE GALVANIZED WORK TABLES

## TT, TTF & TTK Series

1-866-285-1252

Item #: \_\_\_\_\_ Qty #: \_\_\_\_\_  
 Model #: \_\_\_\_\_  
 Project #: \_\_\_\_\_



**FLAT TOP**  
TT Series



**1 1/2" BACKSPLASH**  
TTF Series



**5" BACKSPLASH**  
TTK Series



Fully Adjustable  
Leg Collar

### FEATURES:

**TT Series** top is furnished with 1 5/8" sanitary rolled rim on front and rear and square ends.

**TTF Series** top is furnished with 1 5/8" sanitary rolled rim on front and and 1 1/2" backsplash on rear.

**TTK Series** top is furnished with 1 5/8" sanitary rolled rim on front and and 5" backsplash on rear.

Two die formed hat channels are attached to underside of work table top to reinforce and maintain a level working surface.

Leg Collar at undershelf corner secures leg shelf to legs & is fully adjustable.

### CONSTRUCTION:

All TIG welded. Exposed weld areas polished to match adjacent surface.

Top is sound deadened.

Die formed galvanized hat channels are secured to top by means of structural adhesive and weld studs.

Gussets welded to hat channels.

### MATERIAL:

**TOP:** 18 Gauge Stainless Steel Type "430" Series

**SHELF:** 18 Gauge Galvanized Steel with Galvanized Steel Gussets

**LEGS:** 1 5/8" Diameter Tubular Galvanized Steel

1" Adjustable Plastic Bullet Feet

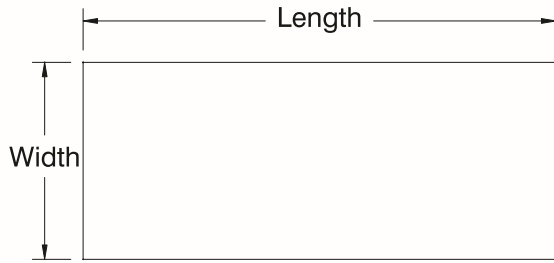
W	L	Flat Top			1-1/2" Splash			5" Splash		
		Model	Approx. Wt.	Approx. Cu. Ft.	Model	Approx. Wt.	Approx. Cu. Ft.	Model	Approx. Wt.	Approx. Cu. Ft.
24" WIDE	24"	TT-242-X	36 lbs.	2	TTF-242-X	36 lbs.	2	--	--	--
	30"	TT-240-X	40 lbs.	2	TTF-240-X	40 lbs.	2	--	--	--
	36"	TT-243-X	44 lbs.	2	TTF-243-X	44 lbs.	2	--	--	--
	48"	TT-244-X	52 lbs.	3	TTF-244-X	52 lbs.	3	--	--	--
	60"	TT-245-X	60 lbs.	4	TTF-245-X	60 lbs.	4	--	--	--
	72"	TT-246-X	68 lbs.	4	TTF-246-X	68 lbs.	4	--	--	--
	84"	TT-247-X	75 lbs.	5	TTF-247-X	75 lbs.	5	--	--	--
	96"	TT-248-X*	88 lbs.	9	TTF-248-X*	88 lbs.	9	--	--	--
30" WIDE	30"	TT-300-X	50 lbs.	3	TTF-300-X	50 lbs.	3	--	--	--
	36"	TT-303-X	55 lbs.	3	TTF-303-X	55 lbs.	3	--	--	--
	48"	TT-304-X	64 lbs.	4	TTF-304-X	64 lbs.	4	TTK-304-X	75 lbs.	8
	60"	TT-305-X	73 lbs.	5	TTF-305-X	73 lbs.	5	TTK-305-X	83 lbs.	10
	72"	TT-306-X	82 lbs.	6	TTF-306-X	82 lbs.	6	TTK-306-X	99 lbs.	12
	84"	TT-307-X	92 lbs.	6	TTF-307-X	92 lbs.	6	--	--	--
	96"	TT-308-X*	105 lbs.	11	TTF-308-X*	105 lbs.	11	--	--	--

\*8' tables furnished with 6 legs

# DIMENSIONS and SPECIFICATIONS

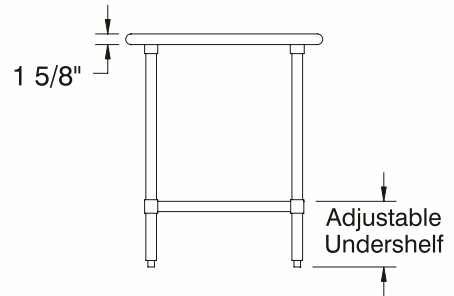
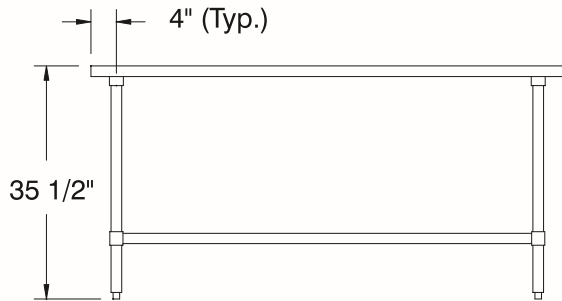
ALL DIMENSIONS ARE TYPICAL TOL ± .500"

All Units Shipped Unassembled (KD) for Reduced Shipping Costs.

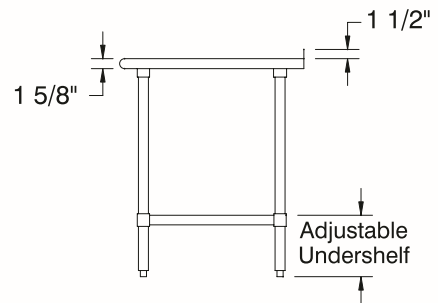
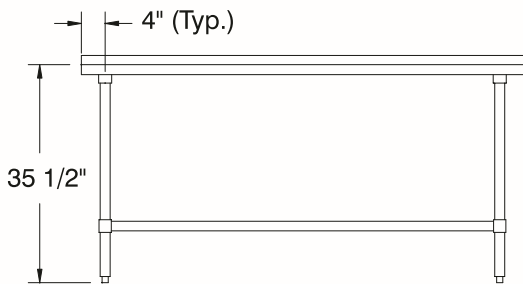


For Future Drawer Installation,  
Order **TA-90 Drawer Adapter**  
With The Drawer

TT SERIES



TTF SERIES



TTK SERIES

