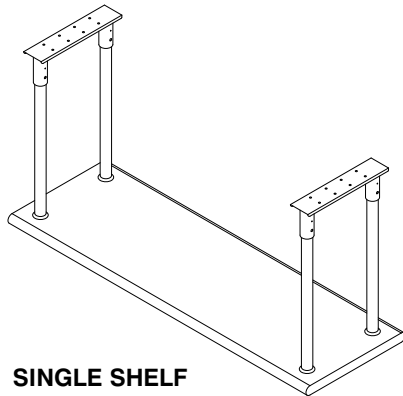
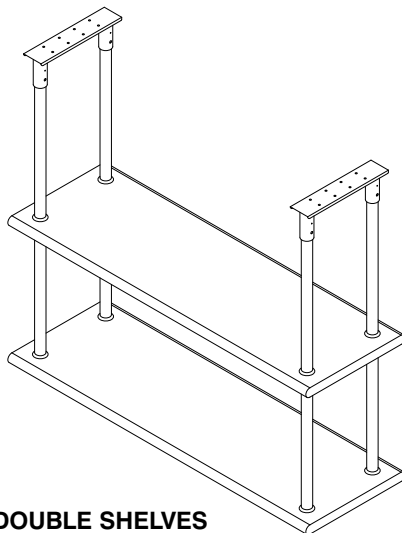




STAINLESS STEEL
**CEILING MOUNTED
 SHELVING**



SINGLE SHELF



DOUBLE SHELVES

Item #: _____ **Qty #:** _____
Model #: _____
Project #: _____

FEATURES:

18" wide fully adjustable shelving.
 Shipped KD.
 Load Capacity is 5 lbs. per sq. ft. (Evenly Distributed).

CONSTRUCTION:

All TIG welded.
 Exposed surfaces polished to a satin finish.

MATERIAL:

All Shelves are 18 gauge type "430" stainless steel.
 1 5/8" stainless steel tubular support posts.

CUSTOMER MUST PROVIDE PRINT

SINGLE SHELF	Wt.	DOUBLE SHELVES	Wt.	Width	(L) Length
CM-18-36	24 lbs.	DCM-18-36	55 lbs.	18"	36"
CM-18-48	29 lbs.	DCM-18-48	60 lbs.	18"	48"
CM-18-60	35 lbs.	DCM-18-60	66 lbs.	18"	60"
CM-18-72	40 lbs.	DCM-18-72	72 lbs.	18"	72"

Custom Sizes are Available.
Contact Our SMART FABRICATION™ Department.
800-498-6634

ADVANCE TABCO
 SMART FABRICATION™
 www.advancetabco.com

Customer Service Available To Assist You 1-800-645-3166 8:30 am - 8:00 pm E.S.T.
 Email Orders To: customer@advancetabco.com. For Smart Fabrication™ Quotes, Email To: smartfab@advancetabco.com or Fax To: 631-586-2933

NEW YORK
 Fax: (631) 242-6900

GEORGIA
 Fax: (770) 775-5625

TEXAS
 Fax: (972) 932-4795

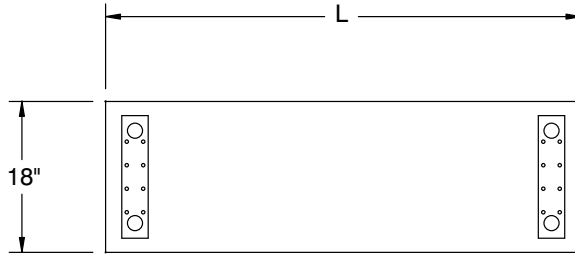
NEVADA
 Fax: (775) 972-1578

DETAILS and SPECIFICATIONS

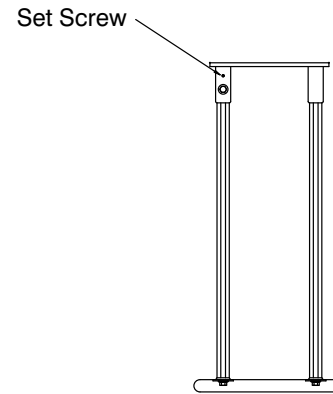
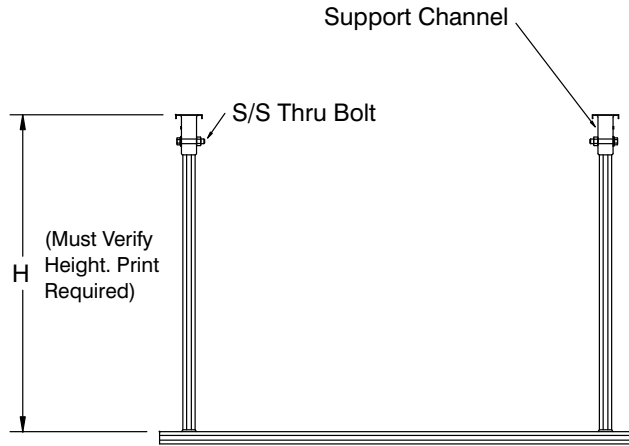
TOL ± .500"

ALL DIMENSIONS ARE TYPICAL

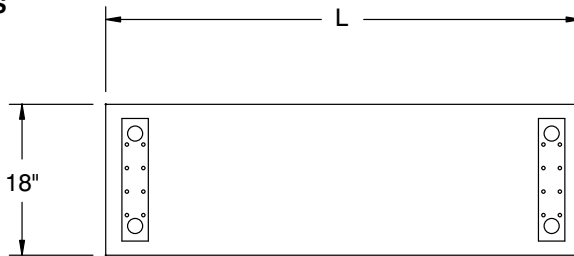
SINGLE SHELF



CUSTOMER MUST PROVIDE PRINT



DOUBLE SHELVES



CUSTOMER MUST PROVIDE PRINT

