



ULTIMATE RESTAURANT RANGE 24" SERIES

Standard Features

- Commercial gas range, 24" wide with a 37" high cooking top
- 4" Stainless steel front rail, stainless steel front and sides
- Front located manual gas shut-off to entire range
- One year No Quibble, 24/7 parts and labor warranty
- Factory installed Regulator
- Cast iron grate top will hold a 14" stock pot
- Standing pilot for open top burners
(Optional N/C battery spark ignition)

Optional 33K Non-clog Burners (Burner Option 1)

- (4) patented, one piece, lifetime clog free, cast iron burners
- 33,000 BTU NAT

Optional Wavy Grates (Burner Option 2)

- Cast bowl design for better efficiency
- Allows full use of entire range top
- Available only with 27K BTU Non-clog burners

Optional Cast Iron Star/Saute' Burners (Burner Option 3)

- (4) 33,000 BTU NAT star burners
- Port arrangement allows for even distribution of flame

Optional Split Burner Configuration (Burner Option 4)

- (2) Star/Saute' burners in front and (2) standard 33K burners in rear

Configure your own custom spec sheet
and model number at
www.BuildMyRange.com.
Refer to AutoQuotes for list pricing.



(4241E Shown)



Job _____
Item# _____

CONSTRUCTION SPECIFICATIONS

Exterior Finish: Stainless steel front, sides and shelf standard.

RangeTop:- 27" deep cooking surface. Center-to-center measurements between burners not less than 12", side-to-side or front-to-back. A removable one piece drip tray is provided under burners to catch grease drippings.

Flue Riser: 22.5" flue riser standard with heavy duty shelf. Optional 10" and 5" flue riser available without shelf.

Oven Door: Counter balanced with heavy duty hinges,

Oven Interior: Double sided, full porcelain enamel oven cavity for superior cleanability and corrosion protection. Coved corners for easy cleaning and enhanced airflow eliminating hot/cold spots.

Legs: 6" stainless steel adjustable legs standard (casters optional)

Pressure Regulator: Factory installed.

Space Saver Oven Models (E)

45,000 BTU NAT oven with standing pilot and thermostat range of 175°F to 550°F (79°C to 288°C). Porcelain enamel interior measuring 14" high x 19-1/2" wide x 26.5" deep. Full sized pans fit both ways. One rack with two position side rails.

Stainless Steel Cabinet (C)

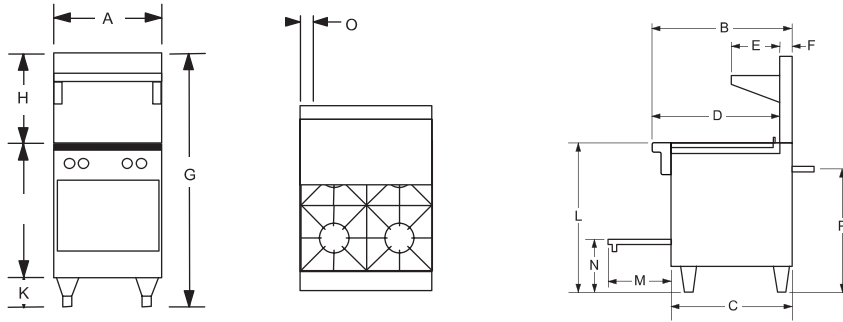
Stainless steel cabinet base. Optional no-charge doors that open from the center.

Available Base Combinations

E or C



Dimensions -in (mm)



MODELS	EXTERIOR										COOK TOP	DOOR OPENING	OVEN BOTTOM	3/4" GAS CONN.		ELECTRIC	
	WIDTH A	DEPTH B	C	D	E	F	G	H	J	K				L	M	N	O
424_E	24.25" (616)	34.00" (864)	29.75" (756)	31.00" (787)	12.00" (305)	2.75" (70)	59.50" (1511)	22.50" (572)	31.00" (787)	6.00" (152)	37.00" (940)	15.50" (394)	13.00" (330)	3.25" (83)	30.25" (768)	-	-

MODELS	OVEN INTERIOR			CRATE SIZE			CUBIC VOLUME	CRATED WEIGHT
	WIDTH	DEPTH	HEIGHT	WIDTH	DEPTH	HEIGHT		
424_E	19.5" (495)	26.50" (673)	14.00" (356)	58.00" (1473)	48.00" (1219)	44.00" (1118)	70.9 cu. ft 2.01 cu.m.	475 lbs. 216 kg.

Configure your own custom spec sheet and model number at www.BuildMyRange.com. Refer to AutoQuotes for list pricing.

UTILITY INFORMATION

BTUs EACH BURNER	STD NON-CLOG	STAR/SAUTE'	WAVY NON-CLOG	(E) SPACE SAVER OVEN PER CAVITY
NAT	33K	33K	27K	45K
LP	24K	24K	24K	40K

GAS:

- One 3/4" female connection.
- Required minimum inlet pressure
 - Natural gas 4" W.C.
 - Propane gas 10" W.C.

ELECTRICAL: None

MISCELLANEOUS

- If using Flex-Hose, the I.D. should not be smaller than 3/4" and must comply with ANSI Z 21.69
- If casters are used with flex hose, a restraining device should be used to eliminate undue strain on the flex hose
- For installation on combustible floors (with 6" high legs) and adjacent to combustible walls, allow 6" clearance.
- Recommended - Install under vented hood
- Check local codes for fire, installation and sanitary regulations.
- If the unit is connected directly to the outside flue, an A.G.A approved down draft diverter must be installed at the flue outlet of the oven.
- Two speed motors are not available on Restaurant Range Convection Ovens.

NOTICE: Southbend has a policy of continuous product research and improvement. We reserve the right to change specifications and product design without notice. Such revisions do not entitle the buyer to corresponding changes, improvements, additions or replacements for previously purchased equipment.

OPTIONS AND ACCESSORIES

- 5" flue riser
- 10" Flue Riser
- 3/4" quick disconnect with flexible hose complies with ANSI Z 21.69 (specify 3ft, 4ft, 5ft)
- Casters-all swivel-front with locks
- Extra Oven Racks
- Various salamander & cheesemelter mounts available. (Please refer to the price list)
- Cabinet base doors (No Charge)
- Hot top option not available on 24" models
- Battery spark ignition offered at no charge for open top and oven base pilots

**INTENDED FOR COMMERCIAL USE ONLY.
NOT FOR HOUSEHOLD USE.**



1100 Old Honeycutt Road, Fuquay-Varina, NC 27526
(919) 762-1000 www.southbendnc.com