



# TRUVECTION OVEN

Low Profile, Electric, Convection Oven

TVES/12SC  
TVES/22SC  
TVES/32SC

Job \_\_\_\_\_  
Item# \_\_\_\_\_

### Standard Features

- 7.5 kW per deck
- Available in standard depth
- Single deck TruVection oven is 26-1/4" in height
- Dependent doors with windows
- Oven interior light
- Coved, porcelain interior
- Heavy duty, cool touch, stainless steel door handle
- Soft Air, two-speed, 1/2 hp fan motor
- 5-position rack guides and 3 plated oven racks, bottom rack is roller bearing
- Cool down fan mode
- Oven "ready" light
- Can stack up to 3 units or modular equipment can sit on single deck



TVES/32SC shown with optional casters

### Available Control

#### SC-Standard Controls

150°F to 550°F solid state thermostat and 60 minute mechanical cook timer.

## STANDARD CONSTRUCTION SPECIFICATIONS

**Exterior Finish:** Stainless steel front, sides and top.

**Doors:** Dependent doors with windows, stainless steel construction, heavy-duty welded steel frame and 5/8" diameter full-length hinge pin.

**Oven Interior:** Coved porcelain enamel finish.

**Rack and Rack Guides:** Heavy-duty removable wire rack guides spaced on 1-5/8" centers offer 5 different rack positions. 3 wire racks provided with each oven.

**Blower Fan and Motor:** 1/2hp, 2-speed motor, 1725/1140 r.p.m

**Oven Heating:** Oven heating is regulated by an adjustable thermostat control. Blower fan circulates air within the cavity "scrubbing" heat to the oven interior for even heat distribution within the cavity.

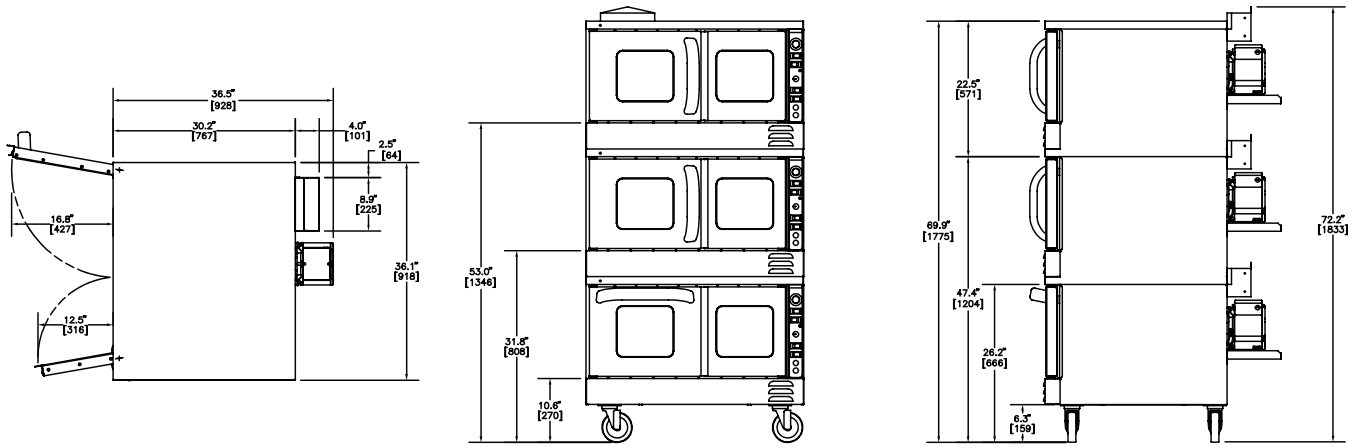
**Control Panel:** Located on front, at right side of oven, away from heat zone. Removable panel pulls out for easy servicing.

**Legs:** 6" stainless steel legs standard.

**Note:** Oven cannot be operated without fan in operation.

Models:  TVES/12SC  TVES/22SC  TVES/32SC

Dimensions -in (mm)



MODEL	OVEN INTERIOR (PER DECK)			RACK CLEARANCE	
	WIDTH	DEPTH	HEIGHT	WIDTH	DEPTH
TVES/12SC TVES/22SC TVES/32SC	29" (737)	21.5" (546)	14" (356)	28.19" (716)	21" (533)

### UTILITY INFORMATION

**Standard:** 1/2 horsepower, 2 speed motor, 1725/1140 r. p. m.

ELECTRICAL DATA		AMPS PER LINE
EACH OVEN	VOLTAGE	1 PHASE
<b>7.5 kW Heating Elements and Controls</b>	208 VAC, 60Hz	36
	220/240 VAC, 50Hz	31
	240 VAC, 60Hz	33
	380/220 VAC, 50Hz	20
	415/240 VAC, 50Hz	34
	480 VAC, 60Hz	18

\* All units shipped single phase. Add an additional 4 amps for the control panel.

### MISCELLANEOUS

- Clearances from combustibles: Top-0", bottom-0", right side-0" and left-3"
- Install under vented hood
- Check local codes for fire and sanitary regulations.
- Oven cannot be operated without fan in operation.

Notice: Southbend reserves the right to change specifications and product design without notice. Such revisions do not entitle the buyer to corresponding changes, improvements, additions, or replacements for previously purchased equipment.

### OPTIONS AND ACCESSORIES

- 208 V, 1 phase, 50/60 Hz
- 240 V, 1 phase, 50/60 Hz
- Casters
- 12" legs (single deck only)
- Stainless steel legs (26" for single deck / 6" for double deck)
- Export Crating
- Extra oven racks
- 2" air insulation panel ( stainless steel only)

**INTENDED FOR COMMERCIAL USE ONLY.  
NOT FOR HOUSEHOLD USE.**



1100 Old Honeycutt Road, Fuquay-Varina, NC 27526  
(919) 762-1000 www.southbendnc.com