



TRUVECTION OVEN

Low Profile, Electric, Convection Oven

TVES/12SC
TVES/22SC
TVES/32SC

Job _____
Item# _____

Standard Features

- 7.5 kW per deck
- Available in standard depth
- Single deck TruVection oven is 26-1/4" in height
- Dependent doors with windows
- Oven interior light
- Coved, porcelain interior
- Heavy duty, cool touch, stainless steel door handle
- Soft Air, two-speed, 1/2 hp fan motor
- 5-position rack guides and 3 plated oven racks, bottom rack is roller bearing
- Cool down fan mode
- Oven "ready" light
- Can stack up to 3 units or modular equipment can sit on single deck



TVES/32SC shown with optional casters

Available Control

SC-Standard Controls

150°F to 550°F solid state thermostat and 60 minute mechanical cook timer.

STANDARD CONSTRUCTION SPECIFICATIONS

Exterior Finish: Stainless steel front, sides and top.

Doors: Dependent doors with windows, stainless steel construction, heavy-duty welded steel frame and 5/8" diameter full-length hinge pin.

Oven Interior: Coved porcelain enamel finish.

Rack and Rack Guides: Heavy-duty removable wire rack guides spaced on 1-5/8" centers offer 5 different rack positions. 3 wire racks provided with each oven.

Blower Fan and Motor: 1/2hp, 2-speed motor, 1725/1140 r.p.m

Oven Heating: Oven heating is regulated by an adjustable thermostat control. Blower fan circulates air within the cavity "scrubbing" heat to the oven interior for even heat distribution within the cavity.

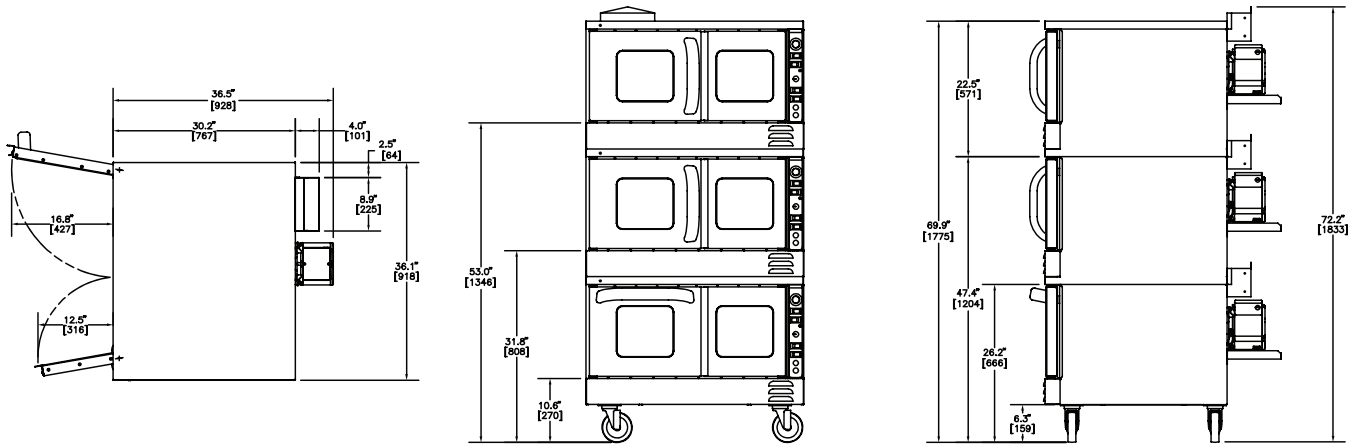
Control Panel: Located on front, at right side of oven, away from heat zone. Removable panel pulls out for easy servicing.

Legs: 6" stainless steel legs standard.

Note: Oven cannot be operated without fan in operation.

Models: TVES/12SC TVES/22SC TVES/32SC

Dimensions -in (mm)



MODEL	OVEN INTERIOR (PER DECK)			RACK CLEARANCE	
	WIDTH	DEPTH	HEIGHT	WIDTH	DEPTH
TVES/12SC TVES/22SC TVES/32SC	29" (737)	21.5" (546)	14" (356)	28.19" (716)	21" (533)

UTILITY INFORMATION

Standard: 1/2 horsepower, 2 speed motor, 1725/1140 r. p. m.

ELECTRICAL DATA		AMPS PER LINE
EACH OVEN	VOLTAGE	1 PHASE
7.5 kW Heating Elements and Controls	208 VAC, 60Hz	36
	220/240 VAC, 50Hz	31
	240 VAC, 60Hz	33
	380/220 VAC, 50Hz	20
	415/240 VAC, 50Hz	34
	480 VAC, 60Hz	18

* All units shipped single phase. Add an additional 4 amps for the control panel.

MISCELLANEOUS

- Clearances from combustibles: Top-0", bottom-0", right side-0" and left-3"
- Install under vented hood
- Check local codes for fire and sanitary regulations.
- Oven cannot be operated without fan in operation.

Notice: Southbend reserves the right to change specifications and product design without notice. Such revisions do not entitle the buyer to corresponding changes, improvements, additions, or replacements for previously purchased equipment.

OPTIONS AND ACCESSORIES

- 208 V, 1 phase, 50/60 Hz
- 240 V, 1 phase, 50/60 Hz
- Casters
- 12" legs (single deck only)
- Stainless steel legs (26" for single deck / 6" for double deck)
- Export Crating
- Extra oven racks
- 2" air insulation panel (stainless steel only)

**INTENDED FOR COMMERCIAL USE ONLY.
NOT FOR HOUSEHOLD USE.**



1100 Old Honeycutt Road, Fuquay-Varina, NC 27526
(919) 762-1000 www.southbendnc.com