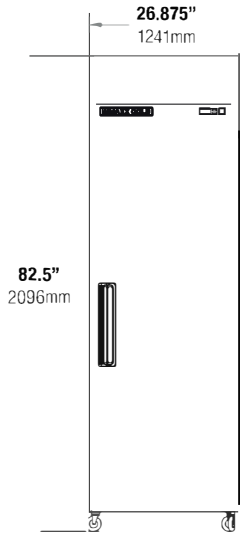
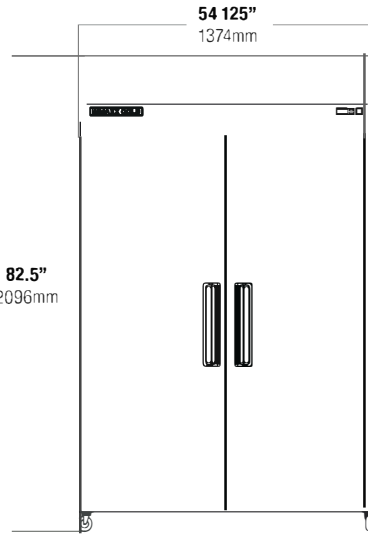


Value Series

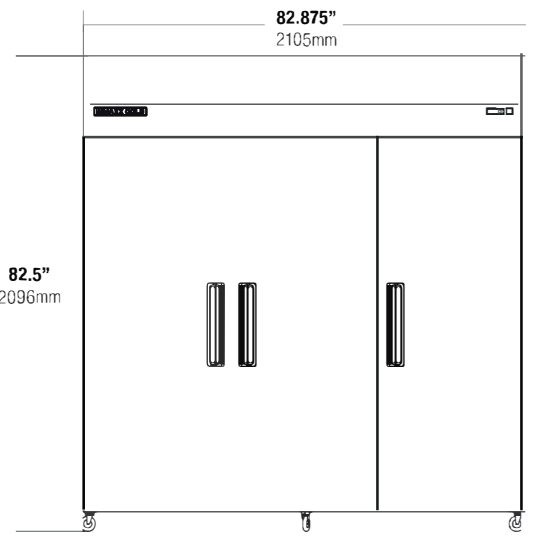
# Reach-In Refrigerators & Freezers



69K-601  
69K-604



69K-602  
69K-605



69K-603  
69K-606

## Product Features:



**ONE YEAR PARTS AND LABOR, FIVE YEAR COMPRESSOR WARRANTY**

- Top mounted refrigeration
- Door locks
- Single door reach-ins have field-reversible doors
- Interior lighting
- Can hold 18"W x 26"D sheet pans
- 82.5"H (including casters)
- 120V, except **#69K-606**, which is 120/208-230V. Cord and plug included.
- Exterior: Stainless Steel with aluminum back
- Interior: White aluminum liner
- Three coated wire shelves per door
- Refrigerators hold at +30F to +39F
- Freezers hold at -5F to +5

Model#	Doors	Cu. Ft.	HP	Width	Depth	Wt.
<b>REFRIGERATORS</b>						
69K-601	1	23	3/8	26 <sup>7</sup> / <sub>8</sub> "	31"	350#
69K-602	2	49	1/2	53 <sup>15</sup> / <sub>16</sub> "	32 <sup>3</sup> / <sub>4</sub> "	519#
69K-603	3	72	3/4	81"	32 <sup>3</sup> / <sub>4</sub> "	673#
<b>FREEZERS</b>						
69K-604	1	23	5/8	26 <sup>13</sup> / <sub>16</sub> "	31"	364#
69K-605	2	49	1	53 <sup>15</sup> / <sub>16</sub> "	32 <sup>3</sup> / <sub>4</sub> "	568#
69K-606	3	72	1 <sup>1</sup> / <sub>4</sub>	81"	32 <sup>3</sup> / <sub>4</sub> "	779#



Specifications subject to change without notice.

Approvals: UL, UL sanitation