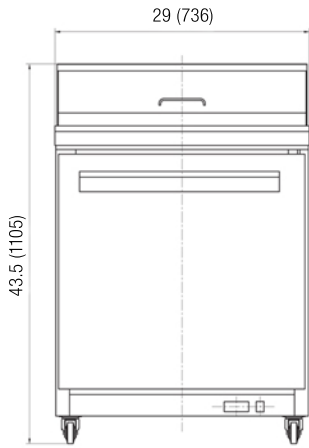
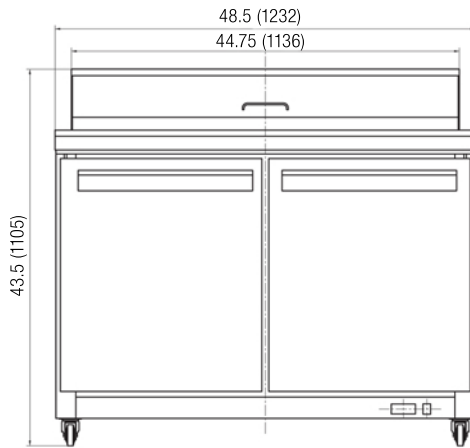


Value Series

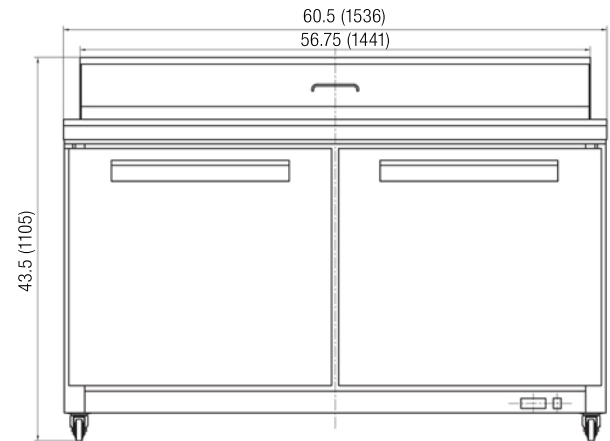
Sandwich/Salad Prep Tables



69K-612



69K-613

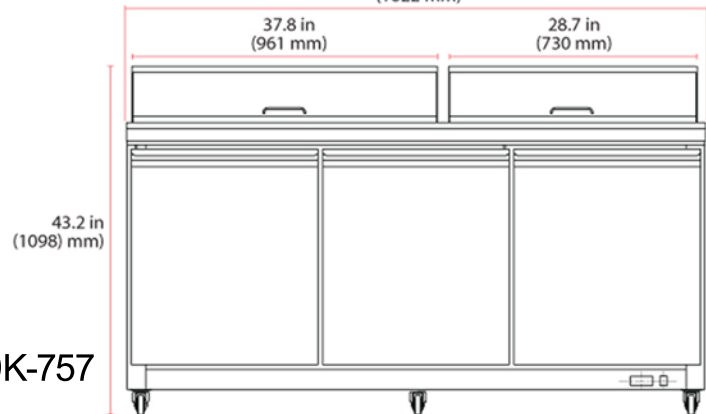


69K-614

**ONE YEAR PARTS AND LABOR,
FIVE YEAR COMPRESSOR WARRANTY**

Product Features:

- 30"D x 43½"H, with 37" working height
- Stainless Steel front, top and sides
- White aluminum interior
- Top holds 4"H sixth-size pans (included as listed)
- Pans sit flush to the rail
- 9"D removable White cutting board included
- Digital thermometer included
- One adjustable coated wire shelf per door
- 120V. Cord and plug included.



69K-757

Model#	Doors	Cu. Ft.	Sixth-Size Pans	Width	HP	Wt.
69K-612	1	7	8	29"	3/8	274#
69K-613	2	12	12	48½"	1/2	305#
69K-614	2	15.5	16	60½"	1/2	368#
69K-757	3	18	18	71.7"	1/2	381#



Specifications subject to change without notice.

Approvals: UL, UL sanitation