



7750 Georgetown Road  
Indianapolis, IN 46268  
800-289-3637 • Fax 800-882-0086

Project Name: \_\_\_\_\_  
Location: \_\_\_\_\_  
Item #: \_\_\_\_\_ Qty: \_\_\_\_\_  
Model: \_\_\_\_\_

www.CentralRestaurant.com

# 75lb SELF CONTAINED ICE MAKER (w/ Integrated Ice Bin)

Model:  69K-081

International Model: Add -50 (220V/50Hz/1Ph)  
or -60 (220V/60Hz/1Ph)



Top View Bottom



**Bullet Shaped Cubes**  
Inches: 1.22 x 1.45 x .95  
mm: 31 x 37 x 24

Self contained ice maker. For freestanding or built in, undercounter applications. Can produce up to 88 pounds of ice per day (under the right conditions). Includes a self-contained 25 pound storage bin. Stainless steel construction provides durability to a unit that is low-maintenance and easy to clean. Front breathing design. Vertical evaporator and proven ice making technology assures years of reliable ice production.

## ICE PRODUCTION

Air Temp 70°F (21°C) Water Temp 50°F (10°C)  
Daily Ice Production: 88 lbs (40kg)

Air Temp 90°F (32°C) Water Temp 70°F (21°C)  
Daily Ice Production: 68 lbs (31kg)

Storage Bin holds 25lbs of ice with automatic overflow prevention  
Gravity Drain is required.

## OPERATING REQUIREMENTS

Ambient Temp Range	50° to 99°F (10° to 37°C)
Water Temp Range	40° to 90°F (4° to 32°C)
Water Usage 100lbs (45.4kg) of Ice	21 Gallons (79L)
Water Supply Line Connection	3/8" FPT
Water Pressure Range	
Min PSI 15	Max PSI 80 (above 80 requires a regulator)
Min Bar 1.0	Max Bar 5.5
Energy Consumption kWh/100 lb (45.4 kg) 90°F(32°C)/70°F(21°C)	11.96 kWh/100 lb of ice made

## REFRIGERANT

- CFC & HCFC free R-134A

## ELECTRIC

120V/60Hz/1 Ph (NEMA 5-15P)  
(220V/50Hz/1ph available as an option)



## FEATURES and CONSTRUCTION

- Exterior Material: Stainless Steel with Black Trim
  - Air Cooled Compressor
  - Programmable, solid state, digital electronic control system.
  - Built-In Self Cleaning Mode
  - Includes Scoop
  - Includes Tubing for Supply and Drain Lines
  - Includes NEMA 5-15 cord set for simple installation
- \* Water Filter Recommended



Certified to  
ANSI-NSF 12



Certified to  
ANSI UL 563



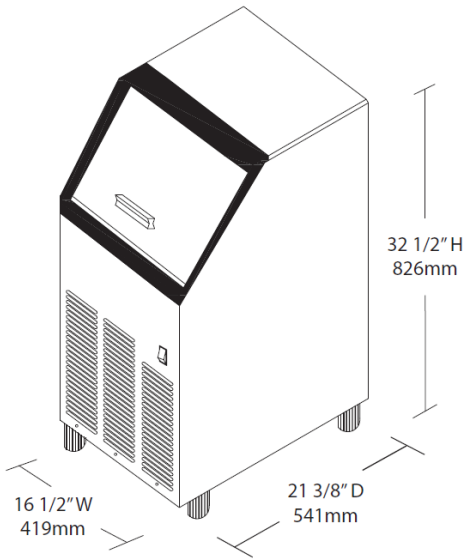
## WARRANTY (USA / CANADA)

One (1) year parts  
One (1) year on-site labor  
Administered by Central, 800-289-3637

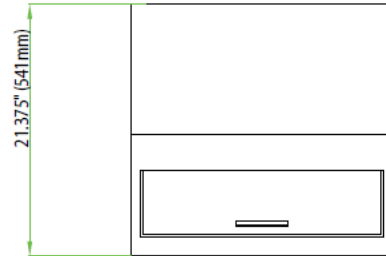
Due to periodic changes in designs, methods, procedures, policies and regulations, the specifications contained in this sheet are subject to change without notice. While we exercise good faith efforts to provide information that is accurate, we are not responsible for errors or omissions in information provided or conclusions reached as a result of using the specifications. By using the information provided, the user assumes all risks in connection with such use.

The built in performance enhancing functions ensure that given proper attention and preventative maintenance, each Central Product will deliver years of trouble free, reliable, low maintenance, efficient operation.

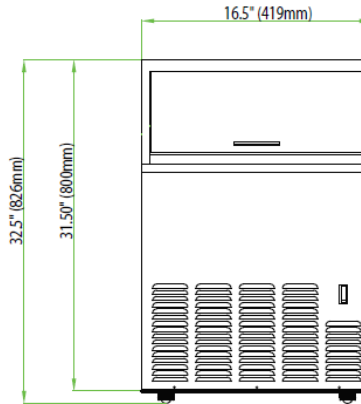
# 75lb SELF CONTAINED ICE MAKER (w/ Integrated Ice Bin)



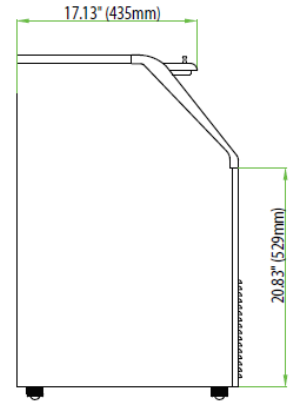
Top View



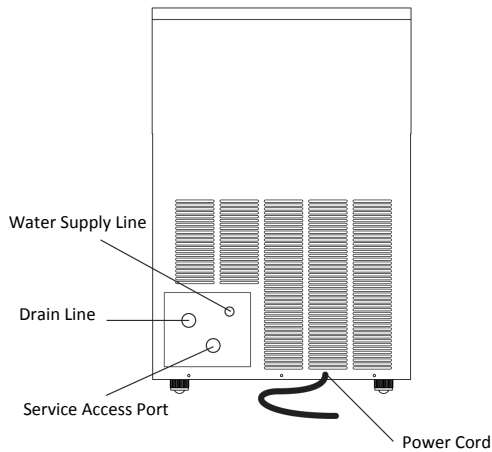
Front View



Side View



Back View



	69K-081
<b>In: External Dimensions W x D x H</b>	16.5 x 21.375 x 32.5
<b>mm: External Dimensions W x D x H</b>	419 x 541 x 826
<b>Electrical Amp Draw</b>	
120V	11.3 max (normal or nominal draw 6.4 amps)
220V	6.3 max (normal or nominal draw 3.5 amps)
<b>Unit Weight</b>	93 lb / 42kg
<b>Shipping Weight</b>	104 lb / 47 kg
<b>Finish</b>	Stainless Steel / Black Accent

Due to periodic changes in designs, methods, procedures, policies and regulations, the specifications contained in this sheet are subject to change without notice. While we exercise good faith efforts to provide information that is accurate, we are not responsible for errors or omissions in information provided or conclusions reached as a result of using the specifications. By using the information provided, the user assumes all risks in connection with such use.