



7750 Georgetown Road, Indianapolis, IN 46268
 Sales: 317.634.2550 Tech Service: 887.368.2797

LP & Natural Gas Griddles

69K-783 / 2 Burner / 60,000 BTU

69K-784 / 3 Burner / 90,000 BTU

69K-785 / 4 Burner / 120,000 BTU

KRATOS Countertop Griddles are small and used on a countertop, they also free up valuable kitchen space! The manually controlled 30,000 BTU burners sit underneath the flat top, 3/4" thick griddle plate to heats quickly and retain heat throughout hours of use. Ideal for cooking up burgers, pancakes, eggs, bacon, grilled cheese, and other delicious dishes.



69K-783



69K-784



69K-785

CONSTRUCTION & FEATURES

- Stainless steel body construction for long life and easy maintenance
- Heavy-duty stainless steel full cooking depth dual-ported burners for long life and easy maintenance
- Manually controlled 30,000 BTU independent burners
- Large burner control dials
- Bottom-welded, 3/4" thick griddle plate for accurate heat distribution
- Bottom-mounted large-opening waste tray for easy clean up
- Angled sidewalls reflect heat into cooking zone for better and more accurate heat distribution
- Easily monitored gas valve and continuous pilot provide simple reliable regulation of the gas burner
- Adjustable feet for stability
- Back and side slashes protect walls and countertops
- Meets all North American gas cooking appliance design, construction and performance regulations, safety standards and design codes.
- Units come equipped for Natural Gas , kit to convert to Liquid propane (including orifices) is included
- Electricity not needed.

	69K-783	69K-784	69K-785
# of Burners & BTUs	2 Burners @ 30,000 BTU	3 Burners @ 30,000 BTU	4 Burners @ 30,000 BTU
Total BTU / Hour	60,000 BTU per Hour	90,000 BTU per Hour	120,000 BTU per Hour
Hose Connection	.75"	.75"	.75"
in: Dimensions (W x D x H)	24" x 27.6" x 15.2"	36" x 27.6" x 15.2"	48" x 27.6" x 15.2"
mm: Dimensions (W x D x H)	610 x 701 x 386	914 x 701 x 386	1219 x 701 x 386
Shipping Weight	195 lbs	281 lbs	415 lbs

Commercial Duty
 3rd Party Approvals:



Intertek
 5004906

Intertek

Conforms to ANSI STD Z83. 11-2016
 Certified to CSA STD 1.8-2016
 Conforms to NSF/ANSI Std.4

The built in performance enhancing functions ensure that given proper attention and preventative maintenance each model will deliver years of trouble-free, reliable, low-maintenance, efficient operation.



7750 Georgetown Road, Indianapolis, IN 46268
 Sales: 317.634.2550 Tech Service: 887.368.2797

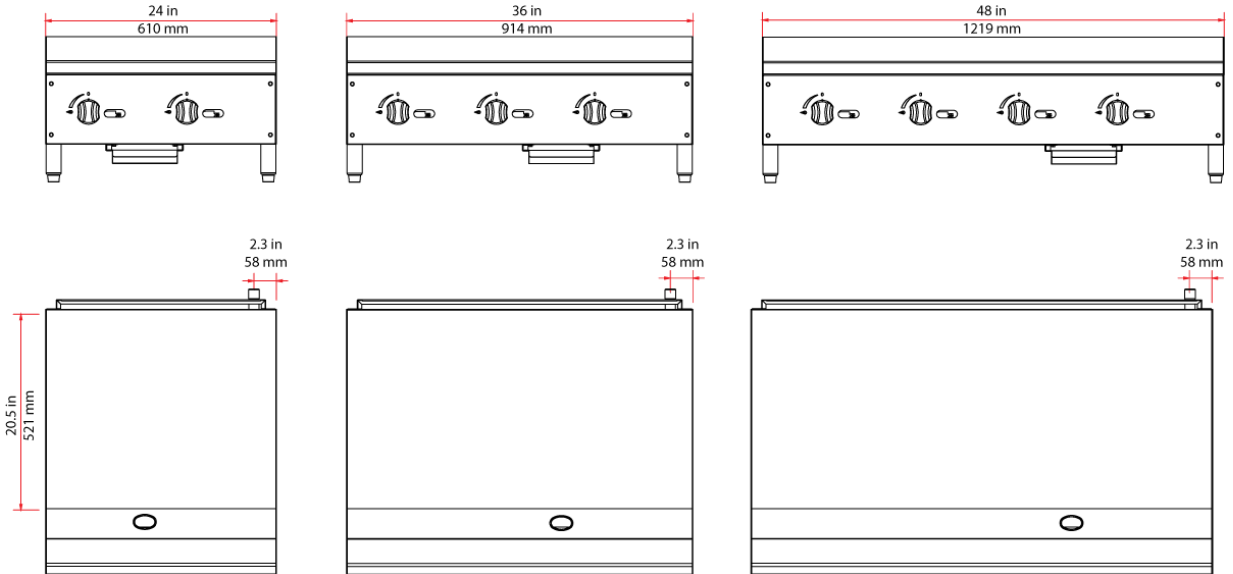
LP & Natural Gas Griddles

69K-783 / 2 Burner / 60,000 BTU

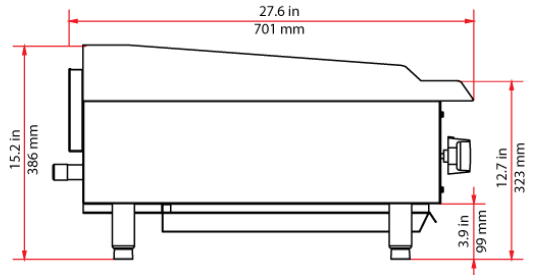
69K-784 / 3 Burner / 90,000 BTU

69K-785 / 4 Burner / 120,000 BTU

DIMENSIONS



Model	W x D x H (In)	W x D x H (mm)
69K-783	24 x 27.6 x 15.2	610 x 701 x 386
69K-784	36 x 27.6 x 15.2	914 x 701 x 386
69K-785	48 x 27.6 x 15.2	1219 x 701 x 386



GAS SUPPLY AND BURNER INFORMATION

Supply pressure should be at minimum of 4" W.C. for natural gas or 10" W.C. for propane. The griddle comes with 3/4" NPT male connector on a 1/2" pipe, allowing you to connect with either 3/4" or 1/2" NPT female connector.

Model	Gas Type	Manifold Pressure	Rate Each BTUs / Hour	Total Rate BTUs / Hour	Orifice Size
69K-783	Natural Gas	4" W.C.	30,000	60,000	#37
	LP	10" W.C.	30,000	60,000	#51
69K-784	Natural Gas	4" W.C.	30,000	90,000	#37
	LP	10" W.C.	30,000	90,000	#51
69K-785	Natural Gas	4" W.C.	30,000	120,000	#37
	LP	10" W.C.	30,000	120,000	#51

* Minimum supply pressure is 4" W.C. for natural gas and 10" W.C. for propane.

** Orifice sizes are for units installed at altitudes between 0 and 2000 feet above sea level.

*** Gas powered appliances must always be installed indoors, under an approved exhaust system with grease removal filters and a fire protection system.