



Your Solutions Partner

# Specifications

F.O.B. Sedalia, Missouri 65301



E302

### OPTIONS:

- 3-phase wiring
- 1,000 watt elements
- Stainless steel heat compartment liner
- Drop type brackets for cutting board
- Stainless steel feet
- Adapter plates
- Insets/Inset Covers
- Spillage pans
- Dish Shelf
- Trayslides & Workshelves
- Foodshields

### CERTIFICATIONS:



DUKE MANUFACTURING CO.  
 2305 N. Broadway  
 St. Louis, MO 63102  
 800.735.3853 Toll Free  
 314.231.5074 Fax  
 www.dukemfg.com  
 SS-1050 AeroHot Electric

Specification subject to change

**Approval Stamp(s):**

### PRODUCT INFORMATION:

PROJECT: \_\_\_\_\_  
 ITEM: \_\_\_\_\_  
 QUANTITY: \_\_\_\_\_

### MODEL:

#### AeroHot™ Foodservice Hot Food Units - Electric

- E302/EP302            2 top openings
- E303/EP303            3 top openings
- E304/EP304            4 top openings
- E305/EP305            5 top openings

### TOP:

- 20 gauge, stainless steel
- Die-stamped openings - 12" x 20"
- Poly carving board - 7"W x ½" thick with 18 gauge stainless steel support shelf and die-stamped brackets

### HEAT COMPARTMENTS:

- Each with die-formed 8" deep galvanized liner
- Insulated with 1" thick fiberglass or equal, all four sides and bottom
- Single phase standard

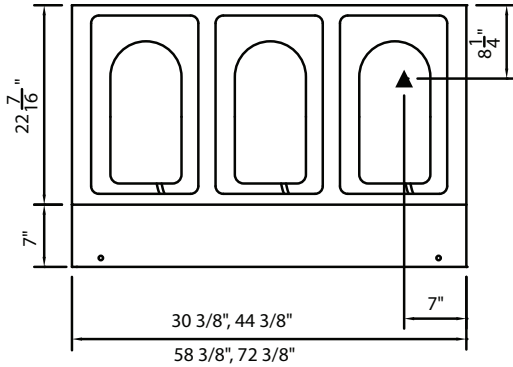
### BODY AND INTERIOR SHELF:

- 20 gauge, 430 Series stainless steel body
- 20 gauge, 430 Series stainless steel undershelf
- 430 Series stainless steel tubular legs with adjustable plastic feet

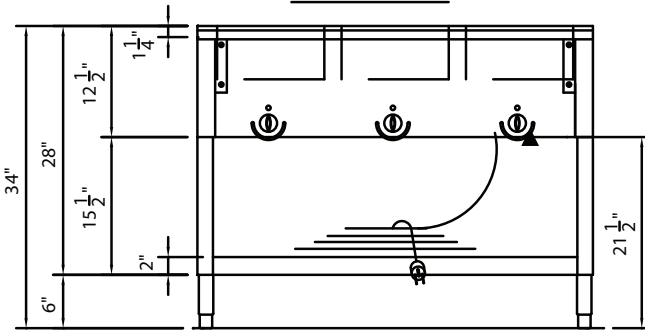
### ELECTRICAL INFORMATION:

- 500 or 750 watt dome-type element for each compartment
- Wired to operate on 120, 208 or 240 Volt
- Single or Three phase
  - AC current
  - Each section with infinite switch
  - Permanently wired, 6' long cord and plug provided

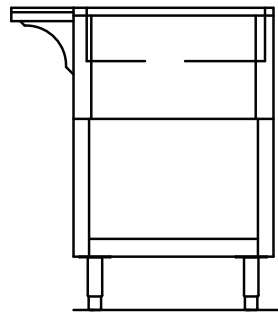
# Aerohot®



**TOP VIEW**



**FRONT VIEW**



**RIGHT SIDE VIEW**

A.I.A. File No. 35-C-13

Catalog No. AFS-ELECHOT

AEROHOT™ FOODSERVICE - HOT FOOD UNITS - ELECTRIC

**DIMENSIONS:** (Consult factory for 3-phase electrical requirements and other options.) **FREIGHT CLASS: 85**

Model	Length		Width		Height		Top Openings	Cube ft. Crated	Weight	
	in	cm	in	cm	in	cm			lbs	kg
E302/EP302	30 3/8	77.2	22 7/16	57.1	34	86.4	2	23.4	81/90	36.8/40.9
E303/EP303	44 3/8	112.8	22 7/16	57.1	34	86.4	3	32.5	107/114	48.6/51.8
E304/EP304	58 3/8	148.3	22 7/16	57.1	34	86.4	4	41.5	138/144	62.7/65.5
E305/EP305	72 3/8	183.9	22 7/16	57.1	34	86.4	5	50.5	165/172	75.0/78.2

**ELECTRICAL SPECIFICATIONS:** CONTACT FACTORY: Electric values & plug configurations change for 3 phase or when adding electric options.

Model	120 Volt - 500 watt elements			208 Volt - 750 watt elements			240 Volt - 750 watt elements		
	Watts	Amps	NEMA	Watts	Amps	NEMA	Watts	Amps	NEMA
E302/EP302	1000	8.3	5-15	1500	7.2	6-20	1500	6.3	6-20
E303/EP303	1500	12.5	5-15	2250	10.8	6-20	2250	9.4	6-20
E304/EP304	2000	16.7	L5-30	3000	14.4	6-20	3000	12.5	6-20
E305/EP305	2500	20.8	L5-30	3750	18.0	L6-30	3750	15.6	6-20

\*Cord and NEMA plug included



**Duke Manufacturing Co.**  
2305 N. Broadway  
St. Louis, MO 63102

Phone: 314-231-1130  
Toll Free: 1-800-735-3853  
Fax: 314-231-5074

[www.dukemfg.com](http://www.dukemfg.com)

Printed in U.S.A.  
© 2019, Duke Manufacturing Co.