



# Specifications

F.O.B Sedalia, Missouri 65301



956-460-x

### OPTIONS:

- Radiant Heat Rods (HT) Specify Voltage
- Fluorescent Lights (FL)
- Stainless protector panel
- Special lengths
- Special guards
- Acrylic protector panel
- Heater with incandescent lights
- Double deck shelves
- Powder coat painted frames and shelf

### Agency Listings:



**DUKE MANUFACTURING CO.**  
**2305 N. Broadway**  
**St. Louis, MO 63102**

**800.735.3853 Toll Free**  
**314.231.5074 Fax**  
**www.dukemfg.com**

### Approval Stamp(s):

#### PRODUCT INFORMATION:

PROJECT: \_\_\_\_\_

ITEM: \_\_\_\_\_

QUANTITY: \_\_\_\_\_

**MODEL:** Foodshield - Deluxe Serving Shelves

Fits: Aeroheat & Thurmaduke Steamtables, Heritage, Economate, Aeroserv Serving Systems

- 956-460-2
- 956-460-3
- 956-460-4 Deluxe Serving shelves
- 956-460-5
- 956-460-6

#### FRAMES:

- 3/4" square stainless steel tube

#### GUARDS:

- 1/4" tempered glass guard with stainless steel trim
- Full service style
- Clear acrylic enclosures both ends.

#### SIZES:

- All units available in following lengths  
 30-7/32", 44-7/32", 58-7/32", 72-7/32", 86-7/32

#### SHELF:

- Heavy gauge stainless steel with edges flanged down

#### SHORT FORM SPECIFICATIONS:

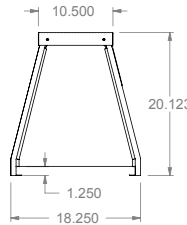
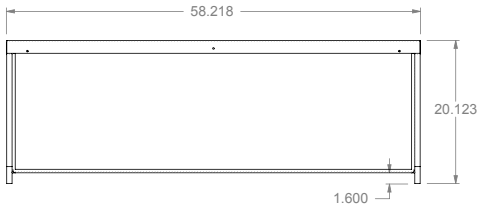
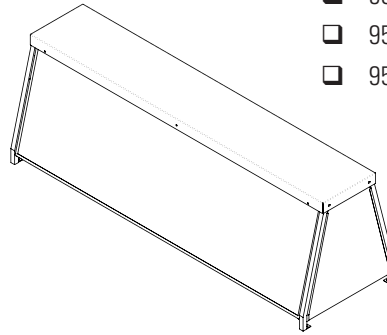
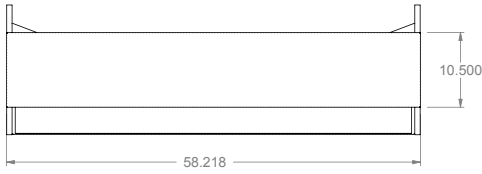
**Foodshields -956-460 Series** Deluxe serving shelves shall be constructed of heavy gauge stainless steel, with edges flanged down and supported on formed, 3/4" square stainless steel tubular brackets. These shelves shall be 10-1/2" wide. Serving shelves shall extend 20" above counter top with glass protector panel in stainless edge trim.

**NSF Updates:** (1) Bracket height change to 20" (2) End guard changed (3) Front glass height change.

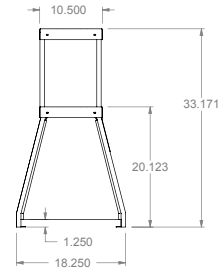
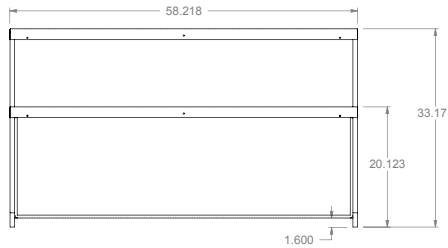
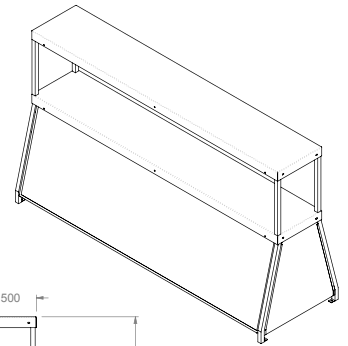
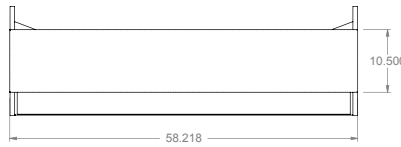
**FOODSHIELD - PROTECTOR GUARD**

- 956-460-2
- 956-460-3
- 956-460-4
- 956-460-5
- 956-460-6

Deluxe Serving Shelf



SINGLE SHELF



DOUBLE DECK OPTION

DIMENSIONS:  
Deluxe Serving Shelves

Freight Class: 85

Model	Length		Width		Height		Cube ft. Crated	Weight	
	in.	cm	in.	cm	in.	cm		W/Protector lbs.	kg
956-460-2	30-7/32	76.8	10-1/2	26.7	20	50.8	6.7	32	14.6
956-460-3	44-7/32	112.3	10-1/2	26.7	20	50.8	9.3	40	18.2
956-460-4	58-7/32	147.9	10-1/2	26.7	20	50.8	11.9	50	22.7
956-460-5	72-7/32	183.4	10-1/2	26.7	20	50.8	14.5	58	26.4
956-460-6	86-7/32	219.0	10-1/2	26.7	20	50.8	17.2	67	30.5



**DUKE MANUFACTURING CO.**

2305 N. Broadway  
St. Louis, MO 63102

800.735.3853 Toll Free  
800.231.1130 In Missouri  
314.231.5074 Fax  
www.dukemfg.com

Specification subject to change