



"Your Solutions Partner"

# Specifications

F.O.B Sedalia, Missouri 65301



EP-3-CBPG

### OPTIONS:

- 14 gauge tops
- Heated base module - **HTD-BASE-M**
- 3-phase wiring
- Overhead fluorescent lights - **T-FL-LIGHTS**
- Radiant heat rods under shelf - **T-HEAT-RODS**
- Serving shelves - **T956-x, T956-460-x, T956-461-x**
- Adaptor plates - **T31, T32, T33**
- Telescope covers - **546, 548**
- 3 bar tray slides - **TS3BTS-FX/HD-x**
- Solid tray slide - **TSOLID-FX/HD-x**
- Veneered panels - **T-x-P**
- Powder coat paint colors
- Designer series food shields - **TS530, TS540, TS550, TS560, TS570, TS580**

### AGENCY LISTINGS:



**DUKE MANUFACTURING CO.**  
2305 N. Broadway  
St. Louis, MO 63102

800.735.3853 Toll Free  
314.231.5074 Fax  
www.dukemfg.com

## Approval Stamp(s):

### PRODUCT INFORMATION:

PROJECT: \_\_\_\_\_

ITEM: \_\_\_\_\_

QUANTITY: \_\_\_\_\_

MODEL:

### Thurmaduke™ Steamtables Hot Food Units - Electric - Standard

- EP-3-CBPG/EP-3-CBSS** 3 top openings
- EP-4-CBPG/EP-4-CBSS** 4 top openings
- EP-5-CBPG-EP-5-CBSS** 5 top openings
- EP-6-CBPG/EP-6-CBSS** 6 top openings

### TOP:

- 16 gauge, 300 Series stainless steel
- Top openings die - stamped. 12" x 20"
- Stainless steel carving surface - drop brackets

### HEAT COMPARTMENTS:

- Sealed wells with drains copper manifolds and brass master valve
- 750 watt element at 120, 208, or 240 Volt / single or 3-phase
- Robertshaw thermostat w/indicator light per section
- Master toggle switch w/indicator light - entire unit
- 6' heavy duty cord and plug
- 12" x 20" stainless steel liner, 6-1/2" deep

### BODY AND INTERIOR SHELF:

- 300 Series stainless steel or paint grip steel
- Stainless or paint grip steel sliding doors
- End panels die-stamped
- 5" diameter casters, two with locks
- 2-1/2" wide heavy-duty polyvinyl bumper around base of unit
- 14 gauge stainless steel channel frame for bumper
- 300 Series stainless steel control panel
- Wire knob guards

### SHORT FORM SPECIFICATIONS:

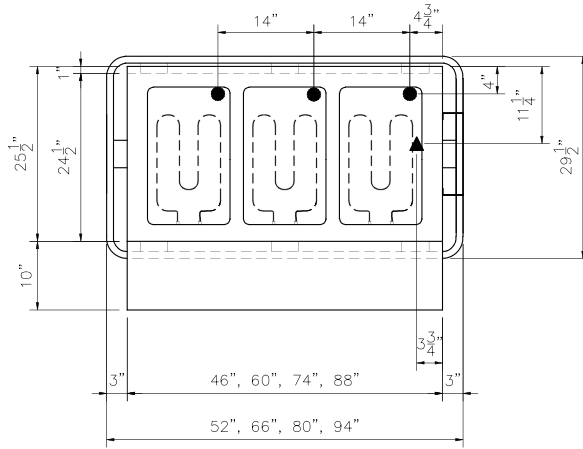
**Thurmaduke™ Steamtables - Hot Food - Electric - Portable.** Top shall be constructed of one piece 16 gauge, 300 Series stainless steel. Each top opening shall be die-stamped with raised beaded edges, measuring 12" x 20". Each sealed well compartment shall have (1) 750 watt element fitted below warming compartment, with drain and copper manifolded to brass master valve. Wired to operate on 120, 208 or 240 volt, single or 3-phase, as specified. Each section to be controlled by Robertshaw thermostat with indicator light. Body shall be constructed of 20 gauge, 300 Series stainless steel or paint grip steel with powder coat finish, as specified. Body parts made into panels by forming edges into angles and channels which are welded together to provide structural strength. End panels die-stamped with square corners, side opposite operator fully enclosed. Bottom shelf to be of heavy gauge steel, same as body panels, with edges flanged down at back and end. Bottom shelf has clearance of 11-7/8". Stainless or paint grip sliding door. Six foot heavy-duty cord and plug to permanently attached to right of unit on inside. 8-1/2" push-bar attached to surface on right end panel. Complete unit to be wired to master toggle switch with indicator light. Units shall be mounted on 5" diameter casters, two with locks. Base of unit shall be encircled by heavy duty poly-vinyl bumper that extends 2-1/2" from body on each end. Bumper to be mounted on 14 gauge stainless steel channel frame. Complies with NSF Standard 4.

**GAS UNITS NOT AVAILABLE**

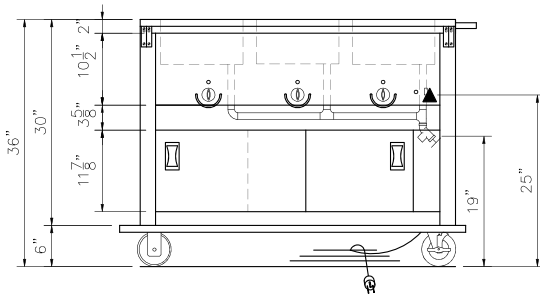


**MODEL:**  
**Thurmaduke™ Steamtables**  
**Hot Food Units - Electric - Portable**

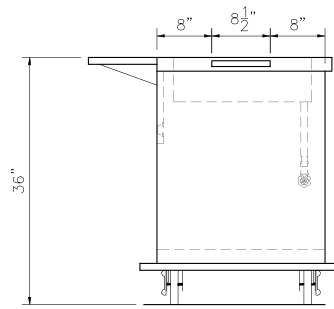
- EP-3-CBPG/EP-3-CBSS 3 top openings
- EP-4-CBPG/EP-4-CBSS 4 top openings
- EP-5-CBPG/EP-5-CBSS 5 top openings
- EP-6-CBPG/EP-6-CBSS 6 top openings



TOP VIEW



FRONT VIEW



RIGHT SIDE VIEW

LEGEND	
▲	- ELECTRICAL CONNECTION
●	- DRAIN LOCATION

**DIMENSIONS:**

FREIGHT CLASS: 150

Model		Length		Width		Height		Top Openings	Cube ft. Crated	Weight	
Enameled	Stainless	in.	cm	in.	cm	in.	cm			lbs.	kg
EP-3-CBPG	EP-3-CBSS	46	116.8	35-1/2	90.2	36	91.4	3	39.6	345	156.8
EP-4-CBPG	EP-4-CBSS	60	152.4	35-1/2	90.2	36	91.4	4	51.2	420	190.9
EP-5-CBPG	EP-5-CBSS	74	188.0	35-1/2	90.2	36	91.4	5	62.3	505	229.6
EP-6-CBPG	EP-6-CBSS	88	223.5	35-1/2	90.2	36	91.4	6	74.3	605	275.0

**ELECTRICAL SPECIFICATIONS:**

Model	120 Volt - 750 watt elements			208 Volt - 750 watt elements			240 Volt - 750 watt elements		
	Watts	Amps	NEMA	Watts	Amps	NEMA	Watts	Amps	NEMA
EP-3-CBPG/SS	2250	18.8	L5-30	2250	10.8	6-20	2250	9.4	6-20
EP-4-CBPG/SS	3000	25.0	5-50	3000	14.4	6-20	3000	12.5	6-20
EP-5-CBPG/SS	3750	31.3	5-50	3750	18.0	L6-30	3750	15.9	6-20
EP-6-CBPG/SS	N/A			4500	21.6	L6-30	4500	18.8	L6-30



"Your Solutions Partner"

**DUKE MANUFACTURING CO.**  
 2305 N. Broadway  
 St. Louis, MO 63102

800.735.3853 Toll Free  
 314.231.5074 Fax  
 www.dukemfg.com

Specification subject to change

06/08  
 Printed in U.S.A.  
 © 2008, Duke Manufacturing Co.