

8" Center Wall Mount Faucet



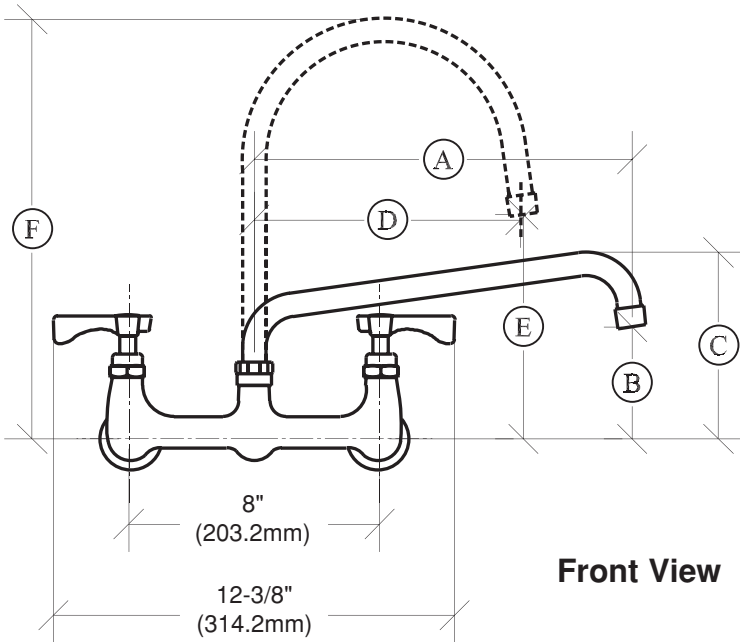
Model: _____

Item #: _____ Quantity: _____

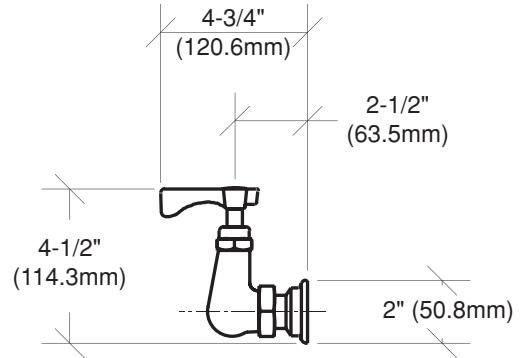
Project: _____



Plu



Front View



Side View

Gooseneck Spouts

MODEL NO.	A	B	C
14-806	6"	2 3/8"	4 7/8"
14-808	8"	2 3/8"	4 7/8"
14-810	10"	2 5/8"	5 1/4"
14-812	12"	3 1/8"	5 5/8"
14-814	14"	3 1/2"	6"
14-816	16"	4 1/2"	7"
14-818	*18"	5 1/2"	8"

MODEL NO.	D	E	F
14-801	6"	6"	10"
14-802	8 1/2"	7 1/2"	12 7/8"

*double jointed spout

FEATURES:

- 1/4" TURN HIGH PERFORMANCE CERAMIC CARTRIDGE WITH BUILT IN BACK FLOW PREVENTORS
- HEAVY DUTY FLANGES WITH ECCENTRIC FITTINGS FOR QUICK INSTALLATION
- HEAVY DUTY SOLID BRASS SPOUT WITH DOUBLE O-RING CONSTRUCTION WITH REINFORCED SHOULDER FOR DURABILITY
- HIGH PRECISION MACHINING AND POLISHED NICKEL CHROMIUM FINISH
- COLOR CODED HANDLES
- OPTIONAL WRIST HANDLES AVAILABLE
- MOUNTING KIT INCLUDED (1/2" NPT x 1 1/2" MALE NIPPLES WITH LOCK NUTS)
- FULL REPLACEMENT PARTS AVAILABLE
- 1 YEAR WARRANTY

SPECS:

- 8" ON CENTER WALL MOUNT WITH 1/2" NPT FEMALE INLETS
- ROUGH IN: TWO 7/8" ROUND HOLES ON 8" CENTERS
- TEMP RANGE: 40°F TO 180°F
- SHIPPING WEIGHT: 5.5 LBS

Approved By: _____

Due to our commitment to continued product improvement, specifications are subject to change without notice.

Krowne Metal Corporation
 100 Haul Road Wayne, New Jersey 07470
 www.krowne.com

Phone: 800-631-0442
FAX: 973-872-1129