



# 8" Center Wall Mount Faucet

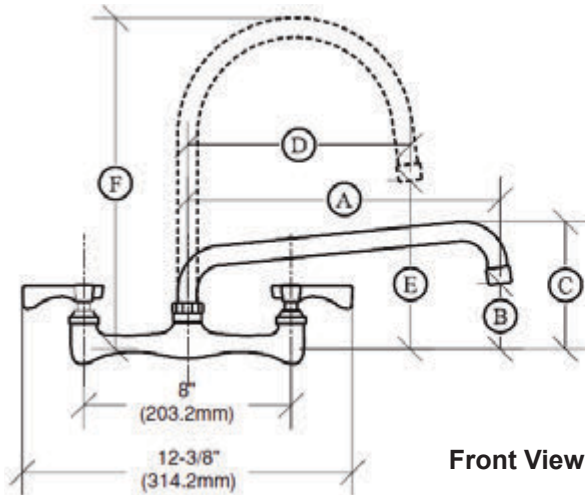
Plumbing

Model: \_\_\_\_\_

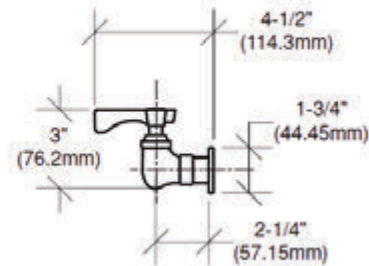
Project: \_\_\_\_\_

Item #: \_\_\_\_\_

Quantity: \_\_\_\_\_



Front View



Side View

### Gooseneck Spouts

| Model No. | A    | B      | C      |
|-----------|------|--------|--------|
| 12-806    | 6"   | 1 7/8" | 4 3/8" |
| 12-808    | 8"   | 1 7/8" | 4 3/8" |
| 12-810    | 10"  | 2 1/8" | 4 5/8" |
| 12-812    | 12"  | 2 5/8" | 5 1/8" |
| 12-814    | 14"  | 3"     | 5 1/2" |
| 12-816    | 16"  | 4"     | 6 1/2" |
| 12-818    | *18" | 5"     | 7 1/2" |
| 12-824    | *24" | 5"     | 7 1/2" |

| Model No. | D      | E      | F       |
|-----------|--------|--------|---------|
| 12-801    | 6"     | 5 1/2" | 9 1/2"  |
| 12-802    | 8 1/2" | 7"     | 12 3/8" |

\*Double jointed spouts

### Standard Features

- Mounting flanges with eccentric fittings for quick installations
- Heavy duty spout with double O-Ring construction and welded shoulder for durability
- High precision machining and polished nickel chromium finish
- Color coded handles
- Optional wrist blade handles available
- Full replacement parts available

### Specifications

- 8" on center wall mount with 1/2" NPT female inlets
- Rough in: Two 7/8" round holes on 8" centers
- Flow rate: 2 GPM max
- Shipping weight: 4 lbs.
- Quantity per case: 12



Approved By: \_\_\_\_\_

Due to our commitment to continued product improvement, specifications are subject to change without notice.



**Metal Corporation**

100 Haul Road, Wayne, New Jersey 07470

www.krowne.com

sales@krowne.com

**Phone: 800-631-0442**

**Fax: 973-872-1129**



# 8" Center Wall Mount Faucet Low Lead Compliant



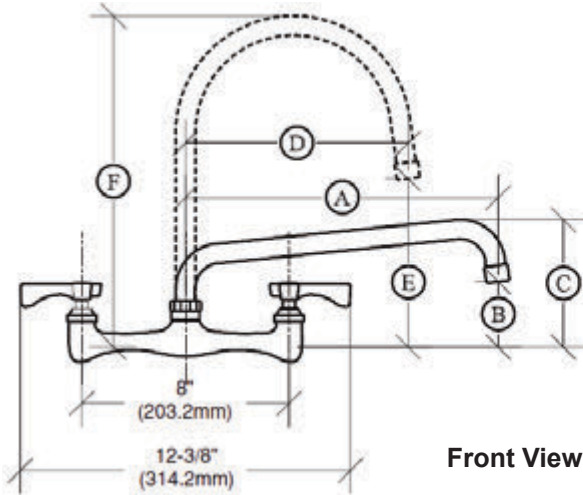
Model: \_\_\_\_\_

Project: \_\_\_\_\_

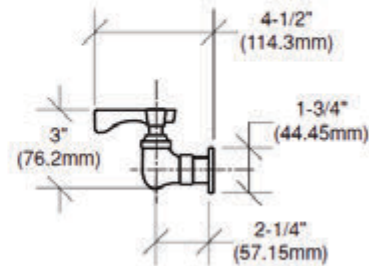
Item #: \_\_\_\_\_

Quantity: \_\_\_\_\_

Plumbing



Front View



Side View

### Gooseneck Spouts

| Model No. | A    | B      | C      |
|-----------|------|--------|--------|
| 12-806L   | 6"   | 1 7/8" | 4 3/8" |
| 12-808L   | 8"   | 1 7/8" | 4 3/8" |
| 12-810L   | 10"  | 2 1/8" | 4 5/8" |
| 12-812L   | 12"  | 2 5/8" | 5 1/8" |
| 12-814L   | 14"  | 3"     | 5 1/2" |
| 12-816L   | 16"  | 4"     | 6 1/2" |
| 12-818L   | *18" | 5"     | 7 1/2" |
| 12-824L   | *24" | 5"     | 7 1/2" |

| Model No. | D      | E      | F       |
|-----------|--------|--------|---------|
| 12-801L   | 6"     | 5 1/2" | 9 1/2"  |
| 12-802L   | 8 1/2" | 7"     | 12 3/8" |

\*Double jointed spouts

### Standard Features

- Mounting flanges with eccentric fittings for quick installations
- Heavy duty spout with double O-Ring construction and welded shoulder for durability
- High precision machining and polished nickel chromium finish
- Color coded handles
- Optional wrist blade handles available
- Full replacement parts available

### Specifications

- Low Lead Compliant to meet California AB-1953 and Vermont S152 standards
- 8" on center wall mount with 1/2" NPT female inlets
- Rough in: Two 7/8" round holes on 8" centers
- Flow rate: 2 GPM max
- Shipping weight: 4 lbs.
- Quantity per case: 12



Approved By: \_\_\_\_\_

Due to our commitment to continued product improvement, specifications are subject to change without notice.



**Metal Corporation**

100 Haul Road, Wayne, New Jersey 07470

www.krowne.com

sales@krowne.com

**Phone: 800-631-0442**

**Fax: 973-872-1129**