

MODEL: _____ PROJECT: _____ ITEM #: _____ QTY: _____

PRODUCT IMAGE



BS84L-KSS-LRR shown with optional 1" Top and Glass Door Upgrade

AVAILABLE IN 36", 60", 84", & 108" SIZES

OPTIONAL ACCESSORIES

- **BS-100** Four 6" Stainless Steel Legs
- **BS-101** Six 6" Stainless Steel Legs
- **BS-102** Four 4" Stainless Steel Legs
- **BS-103** Six 4" Stainless Steel Legs
- **BS-106** Left Side Stainless Steel Kick Plate
- **BS-107** Right Side Stainless Steel Kick Plate
- **BS-108** Four 3" Casters with brakes
- **BS-109** Six 3" Casters with brakes
- **BS-136** 36" Stainless Steel Front Kick Plate
- **BS-160** 60" Stainless Steel Front Kick Plate
- **BS-184** 84" Stainless Steel Front Kick Plate
- **BS-199** 108" Stainless Steel Front Kick Plate
- **BC-734** Replacement LED Light for BS36
- **BC-735** Replacement LED Light for BS60
- **BC-736** Replacement LED Light for BS84
- **BC-737** Replacement LED Light for BS108

STANDARD FEATURES

- **Electrical**
115 V, 1 Phase, 60 Hz. Furnished with 8'-0" plug-in cord, which exits left rear of cooler. NEMA 5-15P Plug Configuration.
Dedicated 15 Amp circuit recommended
1 Door Model: 3.6 Full Load Amps, 1/5 HP
2 Door Model: 6.0 Full Load Amps, 1/4 HP
3 Door Model: 9.0 Full Load Amps, 1/3 HP
4 Door Model: 7.0 Full Load Amps, 1/3 HP
- **Refrigeration**
Self-contained 134A Refrigerant. 30°F-40°F operating range
Digital Thermostat on front grille
- **Case Capacity**

	36"	60"	84"	108"
Long Neck Bottles:	7	12	24	30
12 oz. Cans:	10	20	34	40
Wine Bottles (each):	72	106	170	300
- **Interior**
20 gauge stainless steel with coved corners. Two adjustable epoxy coated wire shelves with floor rack per door.
Door Opening: 29 11/16" high x 19 15/16" wide
- **Exterior**
Sides: 20 gauge stainless steel or black vinyl
Front: 20 gauge stainless steel, black vinyl or glass
Back: 20 gauge galvanized steel
Top: 20 gauge galvanized steel with option of stainless steel
- **Insulation**
2" thick foamed-in-place polyurethane
- **Plumbing**
No drain connection required.
Condensate evaporator pan included
- **IMPORTANT NOTE:**
DO NOT PLUG INTO GFI OUTLET

** This equipment is intended for the storage and display of non-potentially-hazardous bottle or canned products only **



APPROVED BY:

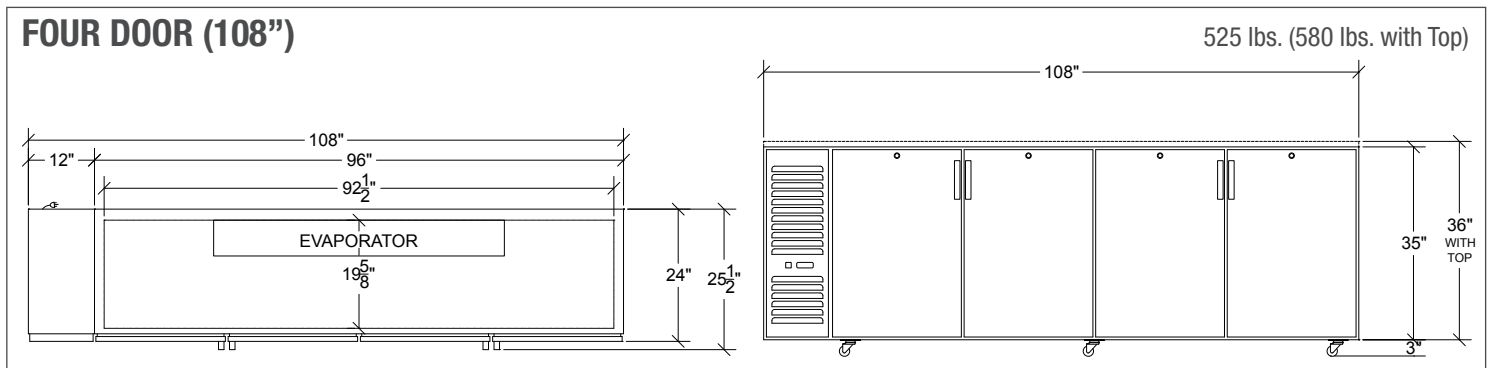
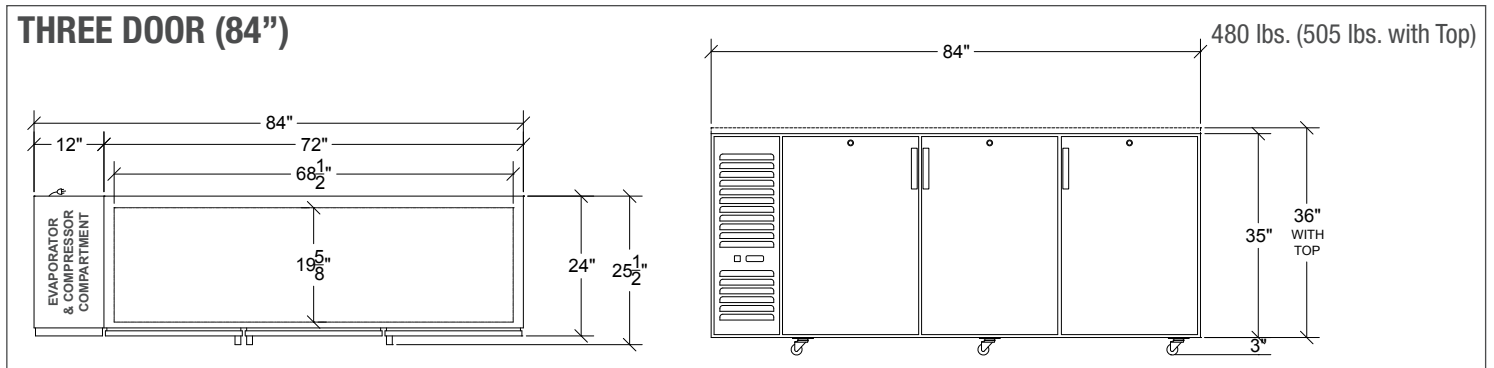
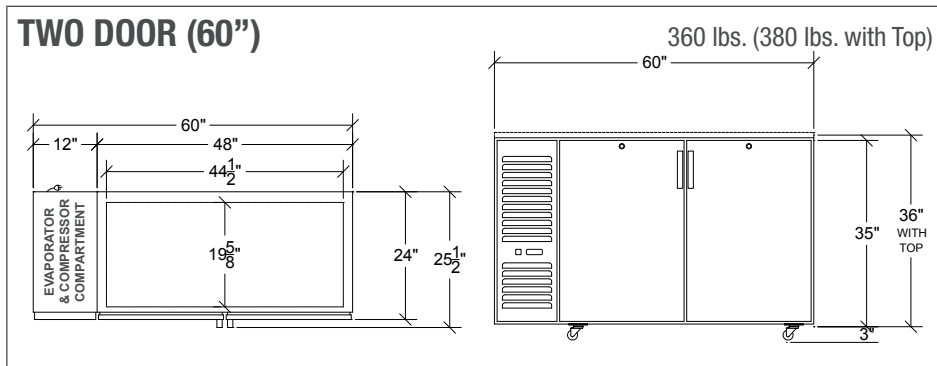
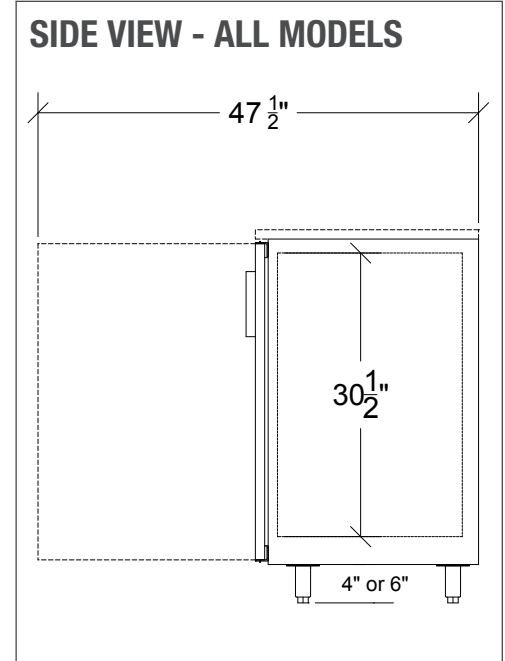
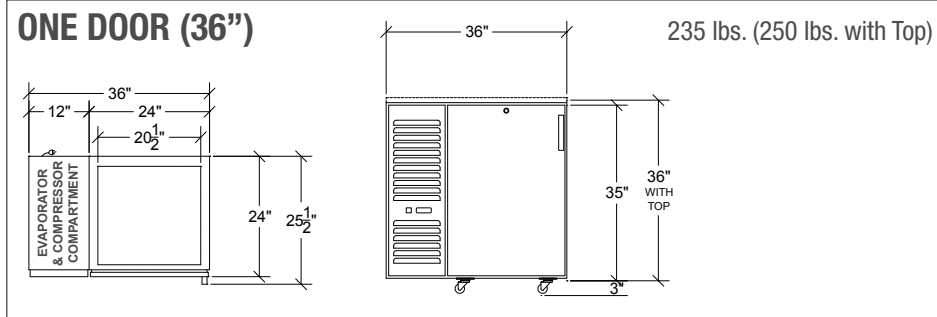
CERTIFICATIONS:

Due to our commitment to continued product improvement, specifications are subject to change without notice.



REFRIGERATION SELF-CONTAINED BACK BAR COOLERS

MODEL: _____ PROJECT: _____ ITEM #: _____ QTY: _____



APPROVED BY:

CERTIFICATIONS:

Due to our commitment to continued product improvement, specifications are subject to change without notice.

Printed in the USA

Krowne Metal Corporation

100 Haul Rd. Wayne, NJ 07470 • Toll Free: (800) 631-0442 • Fax: (973) 872-1129

sales@krowne.com • www.krowne.com • www.facebook.com/KrowneMetal • www.twitter.com/KrowneMetal

Central Restaurant Products

Rev. 4/2013

No. 1.3