



Model:     KR-LC2GF-TT     Item #:                      Date:                       
 Project:                                      Qty:                      Approved By:                                     

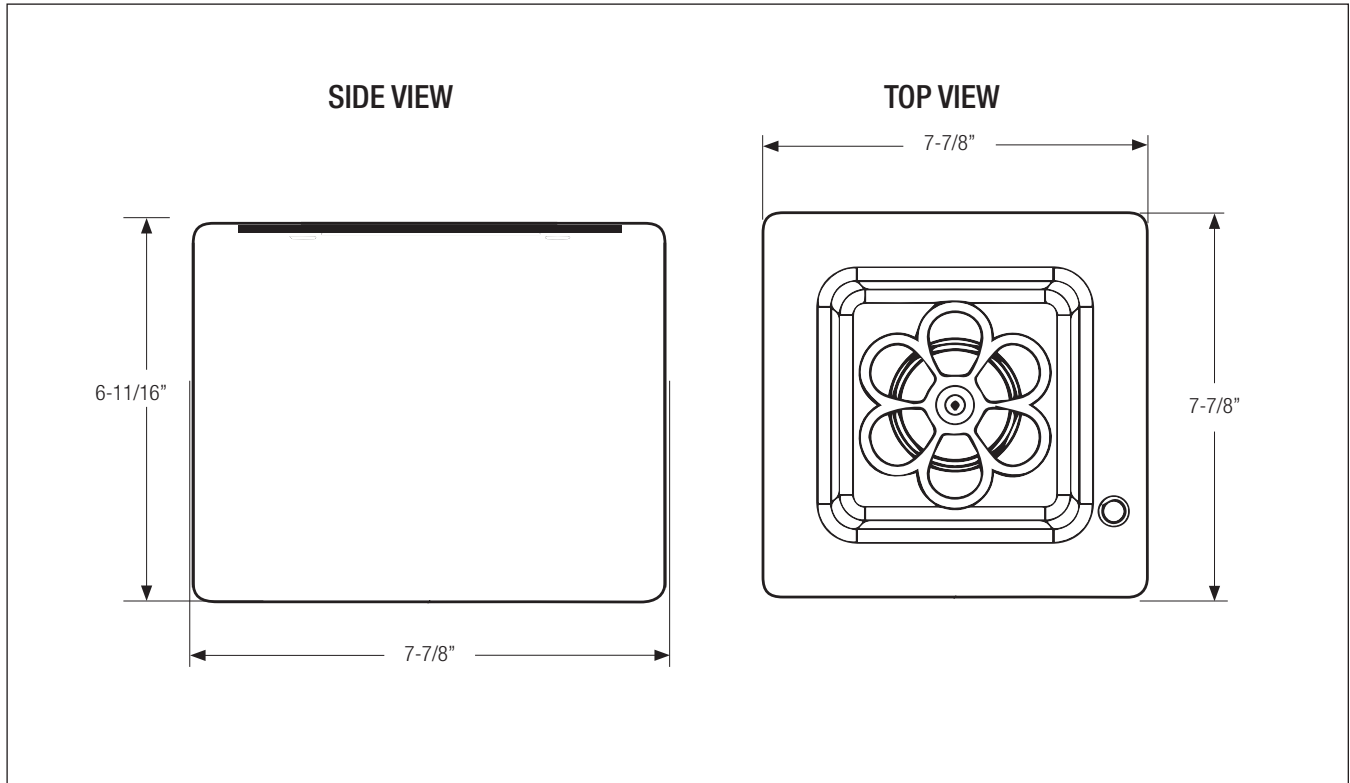
**Table Top Liquid CO2 Glass Froster**

**Royal Series Underbar**



**SPECIFICATIONS**

<b>Outside Dimensions</b>	7-7/8" x 7-7/8" x 6-11/16"
<b>Unit Weight</b>	12.8 lb approx. with battery 9.5 lb approx. without battery (excludes CO2 cylinder)
<b>Gas Refrigerant</b>	CO2 (food grade) Carbon Dioxide
<b>Cylinder Type</b>	CO2 Cylinder with Siphon tube (not included)
<b>CO2 Line Length</b>	Approx 10 ft. (including connection valve) - KR-LC2GF-TT Approx 40 ft. (including connection valve) - KR-LC2GF-TT-E
<b>Power Supply</b>	Rechargeable 12V battery - 100/240 V AC Plug
<b>Power Input</b>	100 - 240 V AC
<b>Frequency</b>	50 - 60 Hz
<b>Max Power Capacity</b>	50W
<b>Included Accessories</b>	Includes worktop mounting kit & battery charger



⚠ Warning: This product can expose you to chemicals including lead and lead compounds which are known to the State of California to cause cancer and birth defects or other reproductive harm. For more information go to [www.P65Warnings.ca.gov](http://www.P65Warnings.ca.gov).