



T&S BRASS AND BRONZE WORKS, INC.
 2 Saddleback Cove / P.O. Box 1088
 Travelers Rest, SC 29690

Model No.
B-1110-LN

Item No.

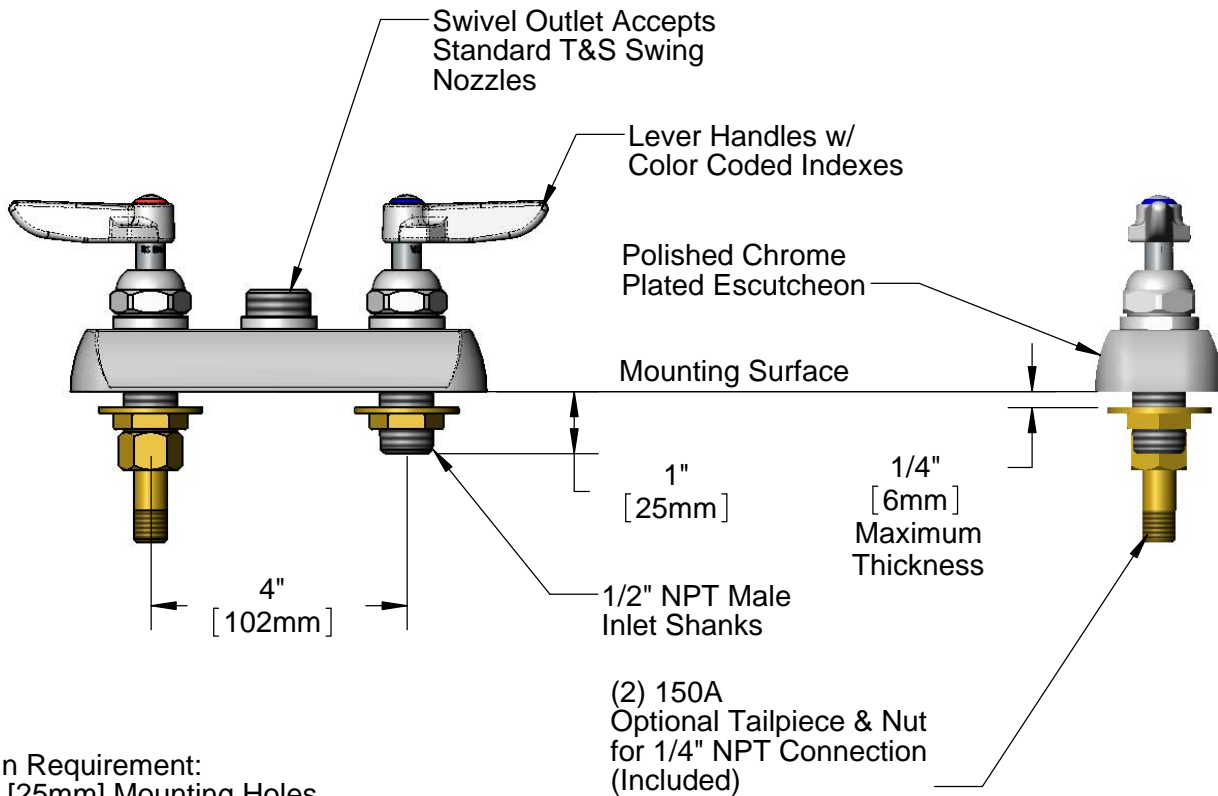
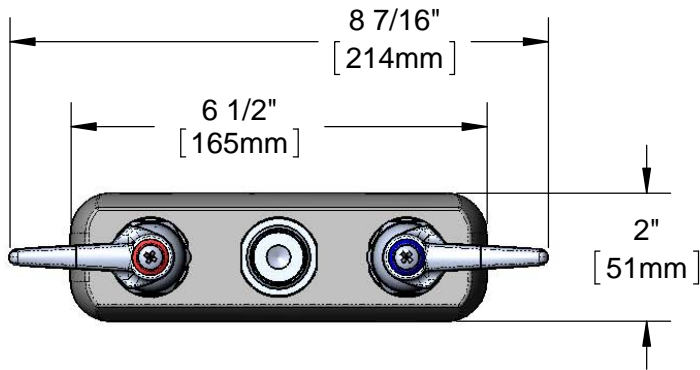
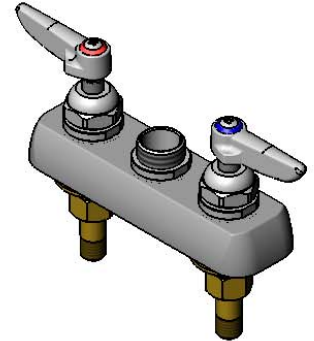
Travelers Rest, SC: 800-476-4103 • Simi Valley, CA: 800-423-0150 • Fax: 864-834-3518 • www.tsbrass.com

This Space for Architect/Engineer Approval

Job Name _____ Date _____
 Model Specified _____ Quantity _____
 Customer/Wholesaler _____
 Contractor _____
 Architect/Engineer _____



ADA Compliant



Rough-In Requirement:
 (2) ϕ 1" [25mm] Mounting Holes

Product Specifications:
 4" Deck Mount Workboard Faucet Less Nozzle
 w/ Lever Handles & 1/2" NPT Male Shanks

Drawn KJG	Checked JRM	Approved JHB
Scale: 1:3		Date: 05/30/12

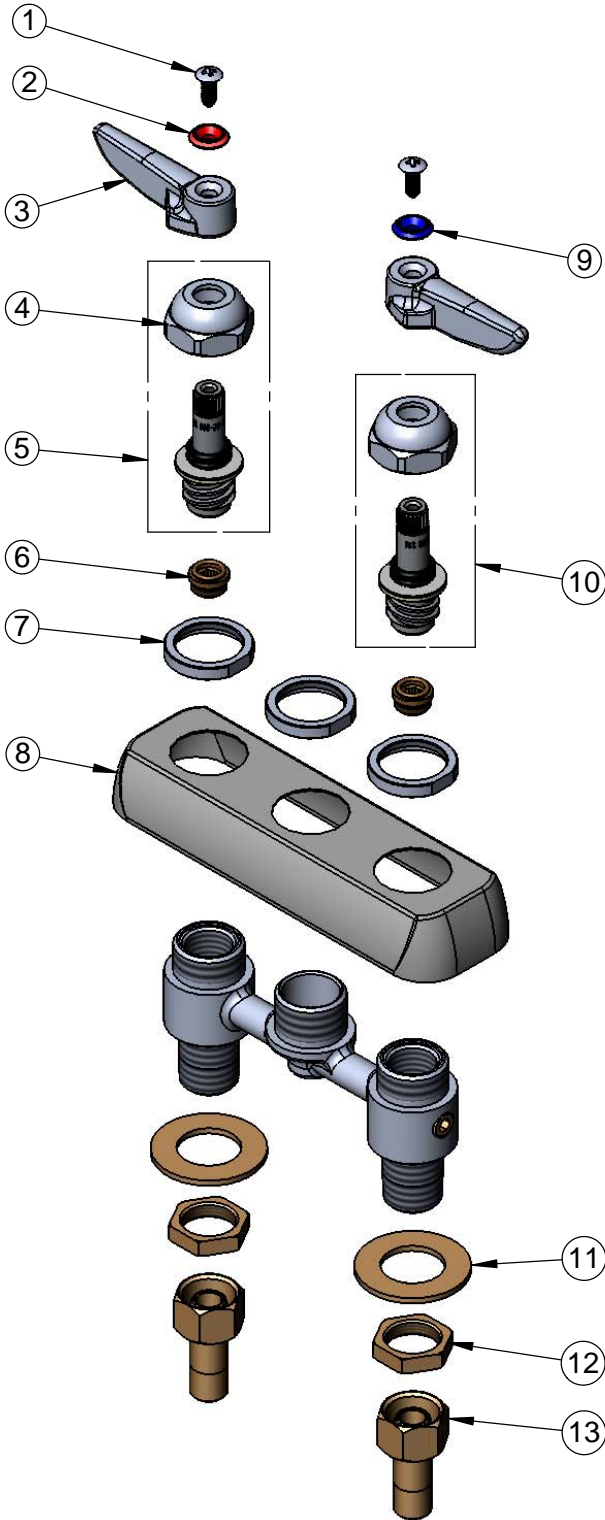


T&S BRASS AND BRONZE WORKS, INC.
 2 Saddleback Cove / P.O. Box 1088
 Travelers Rest, SC 29690

Model No.
B-1110-LN

Item No.

Travelers Rest, SC: 800-476-4103 • Simi Valley, CA: 800-423-0150 • Fax: 864-834-3518 • www.tsbrass.com



ITEM NO.	SALES NO.	DESCRIPTION
1	000922-45	Lever Handle Screw
2	001661-45	Red Index-HW
3	001638-45	Lever Handle
4	009749-25	Bonnet Nut
5	009753-25	B-1100 Spindle Assembly, RTC
6	000763-20	Seat
7	000712-25	Escutcheon Lock Nut
8	001258-40	Escutcheon
9	001660-45	Blue Index-CW
10	009754-25	B-1100 Spindle Assembly, LTC
11	000999-45	Brass Lock Washer
12	002954-45	Shank Lock Nut
13	150A	Bag of (1) Nut & (1) Tailpiece

Product Specifications:
 4" Deck Mount Workboard Faucet Less Nozzle
 w/ Lever Handles & 1/2" NPT Male Shanks

Drawn KJG	Checked JRM	Approved JHB
Scale: NTS		Date: 05/30/12