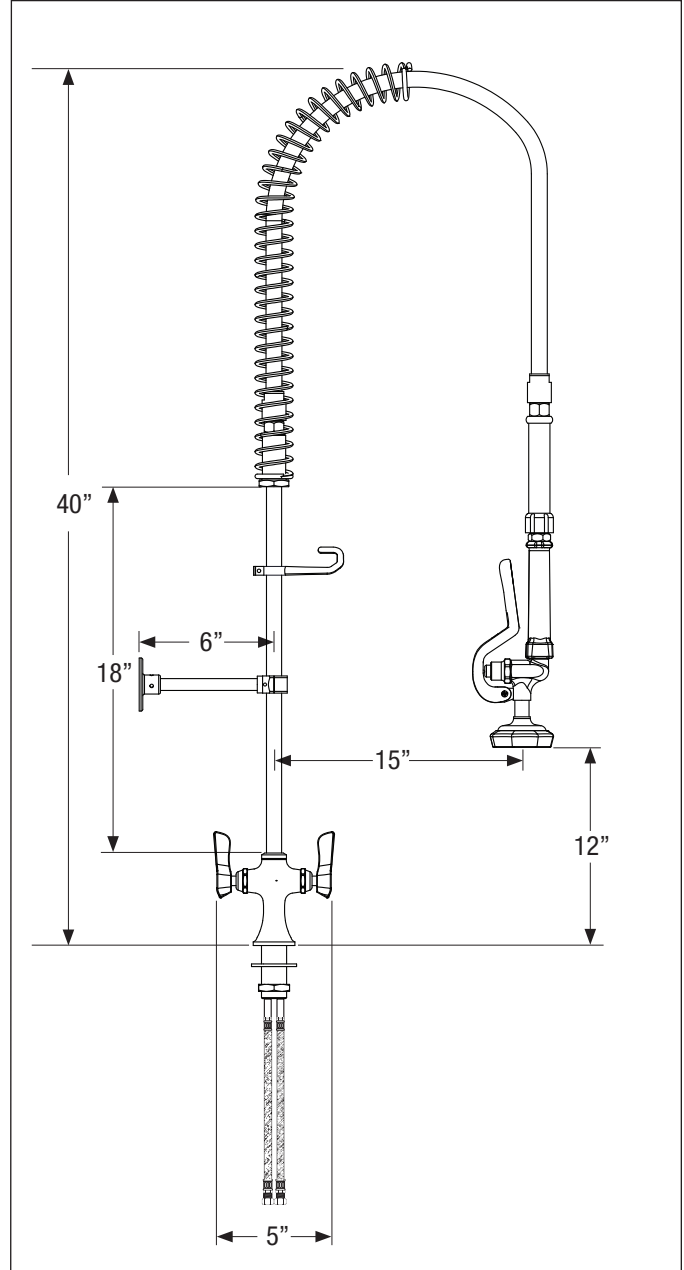


# Single Hole Deck Mount Pre-Rinse

VALUE SERIES PLUMBING



## Standard Features

- Pre-assembled to cut installation time
- Includes wall bracket with mounting hardware
- 1/4 turn ceramic valves
- Includes water supply hoses
- Interchangeable with most brands
- 1.42 GPM spray head
- Built-in check valves
- Solid chrome plated brass base
- Built for medium volume
- Full replacement parts available

## Specifications

- Single Hole Deck Mount
- Fits in 1-1/8" hole
- 1-1/8" OD x 2-1/4" shank
- 44" stainless steel hose with grip, tested to 400 PSI
- 3/8" female compression fittings
- Temperature range of 40° to 180°
- Riser Pipe with Hook: 3/8" NPT x 18"
- Shipping Weight: 15 lbs.
- Case Quantity: 3



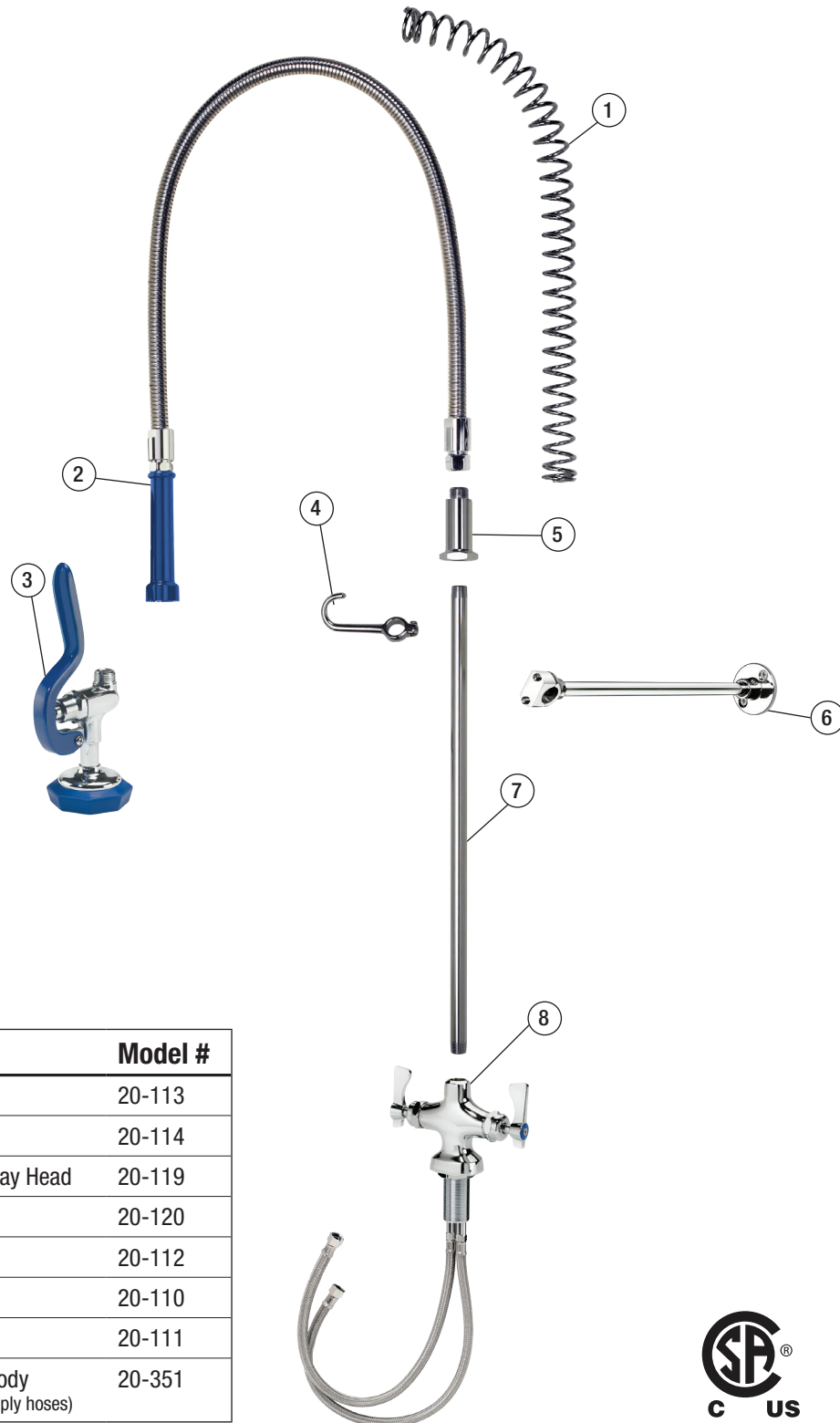
ASME A112.18.1/CSA B125.1



Certified to NSF/ANSI 61-G

# Single Hole Deck Mount Pre-Rinse

VALUE SERIES PLUMBING



NO.	Item	Model #
1	24" Spring	20-113
2	44" Hose w/ Grip	20-114
3	Shower Pattern Spray Head	20-119
4	Hook Assembly	20-120
5	Spring Retainer	20-112
6	Wall Bracket	20-110
7	18" Riser	20-111
8	Pre-Rinse Faucet Body (includes valves and supply hoses)	20-351



ASME A112.18.1/CSA B125.1



Certified to NSF/ANSI 61-G

**Warning:** This product can expose you to chemicals including lead and lead compounds, which are known to the State of California to cause cancer and birth defects or other reproductive harm. For more information go to [www.P65Warning.ca.gov](http://www.P65Warning.ca.gov).