

Stock Pot Burners

High Efficiency Stock Pot Burners



TASP-18S



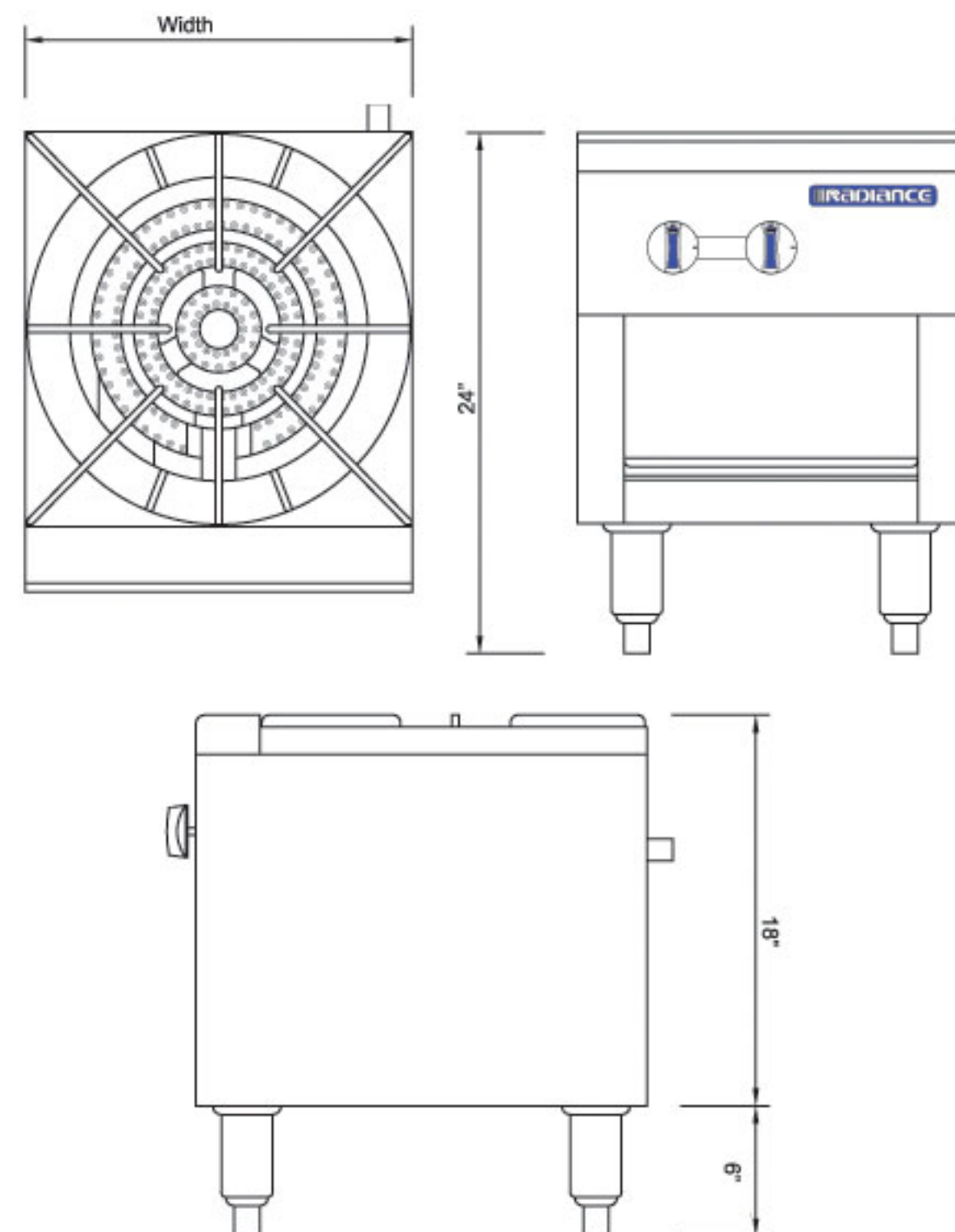
TASP-18

FEATURES / BENEFITS

- HEAVY DUTY CAST IRON 3-RING 79,000 BTU BURNER
- HIGH QUALITY STAINLESS STEEL CONSTRUCTION WITH STORAGE AREA BELOW
- DUAL CONTROL VALVES-ONE FOR INNER AND MIDDLE RINGS, SECOND FOR THE OUTER RING
- FULL WIDTH REMOVABLE CRUMB TRAY SLIDES OUT FOR EASY CLEANING
- TWO KNOBS FOR ULTIMATE COOKING CONTROL
- STAINLESS STEEL PILOTS FOR INSTANT IGNITION
- BULL-NOSE STAINLESS STEEL FRONT EXTENSION PROVIDES ADDITIONAL SAFETY TO EMPLOYEES FROM BURNS
- COATED INSIDE & OUTSIDE GAS MANIFOLD PREVENTS RUST AND ENSURES LONGER LIFE OF UNIT
- ERGONOMICALLY DESIGNED HEAT RESISTANT ON-OFF KNOB IS MADE FROM PPS (POLY PHENYLENE SULFIDE) TO PROVIDE A COOLER, LONGER METALLIC LIFE WITH A BEAUTIFUL CHROME FINISH
- 6" STAINLESS STEEL LEGS WITH 3" ADJUSTABLE BULLET FEET
- 2" STAINLESS STEEL LEGS AVAILABLE AS AN OPTION

* Radiance has passed the industry's most rigorous and recent performance, safety and energy efficiency standards.

■ **WARRANTY : 1 Year Labor and Parts Warranty**



Model	Width	Depth	Height	#of Burners	Total BTU	Net Weight	Crated Weight
TASP-18	18	21	24	3-Ring	79,000	111	130
TASP-18S	18	21	18	3-Ring	79,000	106	130

*Design and specifications subject to change without notice.