



Outperform every day.™

Click here to buy now!



1-866-285-1252

Project:

Item Number:

Quantity:

Medium-Duty Electric Slicers

The Vollrath Company, L.L.C.

## MEDIUM-DUTY ELECTRIC SLICERS



40950



40951

Medium-Duty Electric Slicers

### ITEMS

Item No.	Model No.	Description
40950	SLM250/S	10" Medium-Duty Slicer, 25°
40951	SLM300P/S	12" Medium-Duty Slicer, 25°

### FEATURES

- QuanTanium® coated non-stick plate with titanium blended into the coating creates a harder and more durable surface than conventionally reinforced systems
- Non-stick plate increases glide performance and reduces clean-up time
- Built-in sharpener
- 25 degree gravity feed maximizes productivity by reducing operator fatigue and discomfort
- Safety hand guard mounted to carriage
- Safety cover under motor
- Hard coated anodized aluminum body
- Non-marking, non-skid rubber feet
- Belt driven. Durable, long-wearing belt provides reliable service.
- Slice adjustment knob for precise and consistent slice thickness
- Removable carriage for easy cleaning
- 6'4" (1.9 m) cord with plug

### DESCRIPTION

The Vollrath Medium-Duty Electric Slicers are available with either a 10" or 12" blade. They are ideal for slicing meats in medium-volume operations and small restaurants.

#### 40950

- 1/3 peak HP motor
- 10" blade
- Space-saving design with small footprint
- Easy to carry for catering needs

#### 40951

- 2/5 peak HP motor
- 12" blade
- Permanent blade rim guard for safety
- Great cutting capacity within a compact footprint

#### Warranty

2 years on parts, 1 year on labor and 5 years on the belt. See Vollrath.com for full warranty details.

#### Agency Listings



Certified to NSF/ANSI 8

Due to continued product improvement, please consult [www.vollrath.com](http://www.vollrath.com) for current product specifications.

Approvals	Date



Outperform every day.™  
[www.vollrath.com](http://www.vollrath.com)

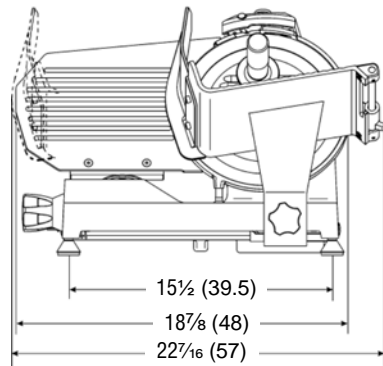
**The Vollrath Company, L.L.C.**  
1236 North 18th Street  
Sheboygan, WI 53081-3201 U.S.A.  
Main Tel: 800.624.2051 or 920.457.4851  
Main Fax: 800.752.5620 or 920.459.6573  
Customer Service: 800.628.0830  
Canada Customer Service: 800.695.8560

Technical Services  
[techservices@vollrathco.com](mailto:techservices@vollrathco.com)  
Induction Products: 800.825.6036  
Countertop Warming Products:  
800.354.1970  
All Other Products: 800.628.0832

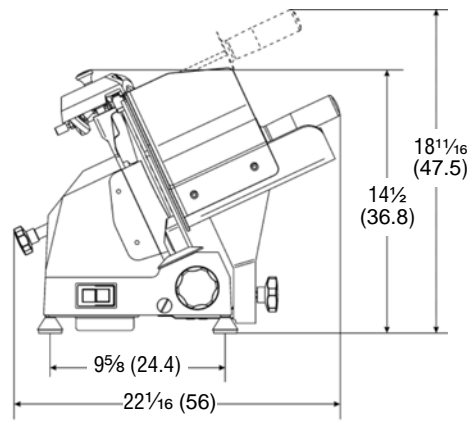
# MEDIUM-DUTY ELECTRIC SLICERS

## DIMENSIONS (Shown in inches (cm))

40950

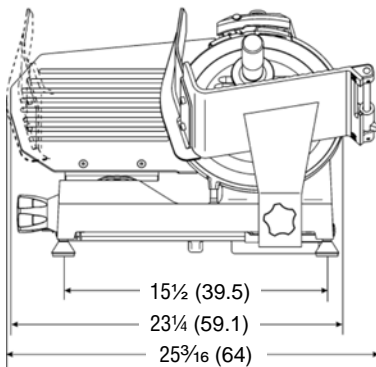


Side View

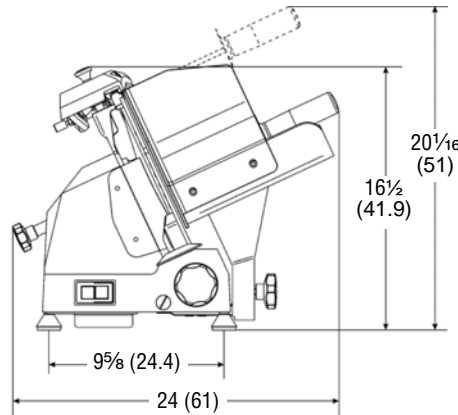


Front View

40951



Side View

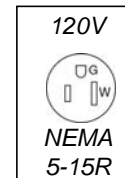


Front View

## SPECIFICATIONS

Item	Description	Peak HP	Voltage	Amps	Hertz	Weight Lbs (Kg)	Plug
40950	10" Medium-Duty Slicer, 25°	1/3	120	2.5	60	35 (16)	NEMA
40951	12" Medium-Duty Slicer, 25°	2/5		1.8		45 (20)	5-15P

### Receptacle



Outperform every day.™

[www.vollrath.com](http://www.vollrath.com)

**The Vollrath Company, L.L.C.**  
 1236 North 18th Street  
 Sheboygan, WI 53081-3201 U.S.A.  
 Main Tel: 800.624.2051 or 920.457.4851  
 Main Fax: 800.752.5620 or 920.459.6573  
 Customer Service: 800.628.0830

**Technical Services**  
[techservicereps@vollrathco.com](mailto:techservicereps@vollrathco.com)  
 Induction Products: 800.825.6036  
 Countertop Warming Products:  
 800.354.1970  
 All Other Products: 800.628.0832