



Project _____
 AIA # _____ SIS # _____
 Item # _____ Quantity _____ C.S.I. Section 114000

CLUC-27F

Compact Undercounter Freezer Self-Contained Drawers

Compact Undercounter Freezer



STANDARD PRODUCT FEATURES

- High Quality Stainless Steel Construction
- Anodized Aluminum Interior
- LED Display Control for Accuracy and Easy Monitoring
- Capillary Tube Metering Device
- Forced Air Refrigeration System Maintains Cabinet Temperature of -3°F to 3°F
- Two (2) Fully Removable Drawers
- Each Drawer Accommodates Full Size 6" Deep Pans
- Set of Four (4) 4" High Casters with Locks Standard on Front Casters
- Gasket-Protecting Retainer
- Self-Contained Rear-Mounted Refrigeration System
- High-Density, Non-CFC Foamed In Place Polyurethane Insulation
- Easy to Grip Drawer Handle(s)
- 3 Year Parts & Labor Warranty, Additional 2 Years on Compressor Parts



This unit is listed to the applicable UL, CSA and NSF Standards by an approved NRTL. Consult the factory or unit's data plate for approval information.

ACCESSORIES & OPTIONS (Available at Extra Cost)

- + Set of Four (4) 6" High Legs
- + Set of Four (4) 6" High Casters
- + Set of Four (4) 2-3/4" High Casters

AVAILABLE CONFIGURATIONS

DRAWER MODELS

CLUC-27F-DW Two (2) Drawers

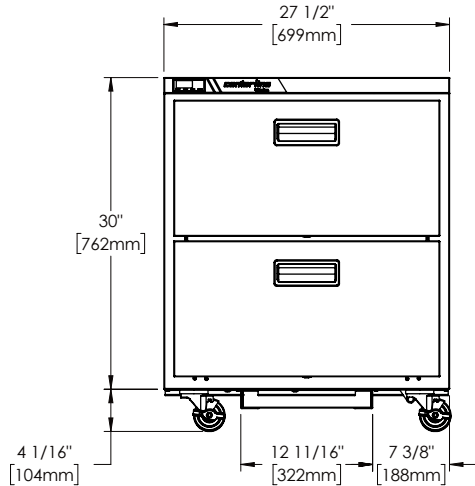
| Model | Drawers | Dimensions L x D x H (in.) | Voltage | Amps | NEMA | Cu. Ft. |
|-------------|---------|-------------------------------|----------|------|---------|---------|
| CLUC-27F-DW | 2 | 27.5 x 31.5 x 30* | 115/60/1 | 4.0 | 5 - 15P | 6.5 |

*Note: 30 in. height without casters

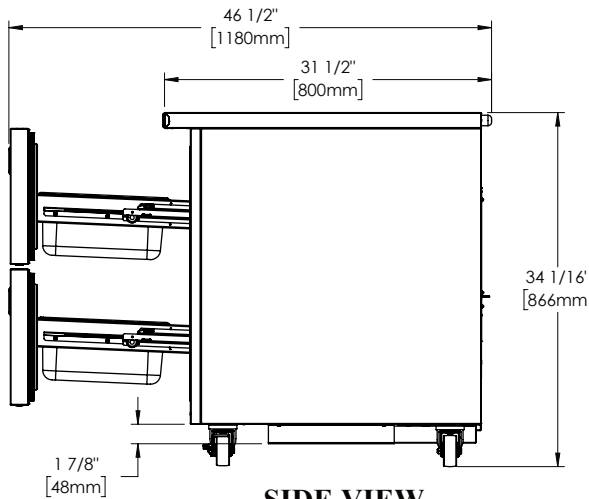
Approved by _____ Date _____ Approved by _____ Date _____

MODEL - CLUC-27F-DW

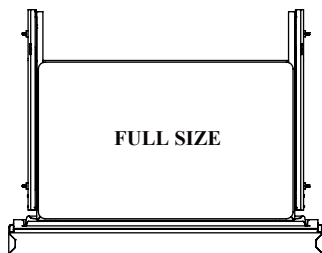
Drawer Models



ELEVATION



SIDE VIEW



**SINGLE DRAWER
PAN LAYOUT**

SPECIFICATIONS

CONSTRUCTION, HARDWARE, INSULATION

Cabinet exterior front, sides, and drawers are constructed of stainless steel. Cabinet interior is constructed of anodized aluminum. A set of four (4) 4" high casters are included. Drawers are equipped with a gasket protecting retainer. Both the cabinet and drawers are insulated with an average of 2-3/8" thick high density, non-CFC, foamed in place polyurethane insulation.

REFRIGERATION SYSTEM

A rear mounted, self-contained, balanced refrigeration system using environmentally friendly R-448A refrigerant is provided. It features an easy to clean rear facing condenser, capillary tube metering device, and air-cooled hermetic compressor. A 9' cord and plug is provided. Standard operating temperature is -3°F to 3°F.

Energy efficient refrigeration system maintains safe product temperatures. Condenser is located in the back of the unit for easy maintenance and zero clearance.

CONTROLLER

The easy to use electronic digital control is supplied standard. It includes a 3-Digit LED display, and a Fahrenheit or Celsius temperature scale display capability.

DRAWERS

Drawer exterior, liner, and frame are constructed of stainless steel. Each drawer has foamed-in place recessed handle for easy grip. Heavy-duty drawers are removable without tools for easy cleaning. Each drawer accommodates one (1) 6" deep full size food pan (sold separately).

WARRANTY

Both a 3 Year Parts & Labor Warranty and additional 2 Years on Compressor Parts Warranty are supplied standard.

| MODELS | CLUC-27F-DW |
|---------------------------|---------------|
| ELECTRICAL DATA | |
| Voltage | 115/60/1 |
| Full Load Amperes | 4.0 |
| REFRIGERATION DATA | |
| Refrigerant | R-448A |
| Refrigerant Charge oz | 6.8 (193 gr) |
| BTU/HR H.P ¹ | 1850 1/2 HP |
| SHIPPING DATA | |
| Depth Crated in. | 35 (88.9 cm) |
| Height Crated in. | 37 (94 cm) |
| Length Crated in. | 32 (81.3 cm) |
| Volume Crated cu. ft. | 24 (679 l) |
| Net Weight lbs. | 197 (89.4 kg) |
| Gross Weight lbs. | 219 (99.3 kg) |

NOTES:

1. BTU/HR based on a 90°F ambient and -20°F evaporator

Equipped with one NEMA 5-15P Plug



CAD and/or Revit Files Available

As continued product improvement is a policy of Traulsen, specifications are subject to change without notice.