



STAINLESS STEEL

PASS-THRU SHELF with Overshelf

Item #: _____ **Qty #:** _____

Model #: _____

Project #: _____



FEATURES:

Includes 1 Pass-Thru Shelf with 1 Overshelf
Ships Assembled

Pass-Thru Features:

New Hat Channel design allows lower shelf to be freely positioned
Includes Wall Mounting Brackets for securing lower Shelf to desired position
Furnished with 1-1/2" sanitary roll down along length.
Ends are square with 1-1/2" turn down at wall dimension.

Overshelf Features:

1-5/8" Stainless Steel Tubing Posts

CONSTRUCTION:

All TIG welded. Exposed welded areas polished to match adjacent surface.

MATERIAL:

18 gauge type "430" stainless steel and Brackets.
Heavy Gauge Galvanized Hat Channel.



"L" BRACKET

18" Wide Shelves include "L" Brackets



CANTILEVER BRACKET

24" Wide Shelves include Cantilever Brackets

Length	18" WIDE	Wt.	24" WIDE	Wt.
48"	PA-18-48-2	100 lbs.	PA-24-48-2	116 lbs.
60"	PA-18-60-2	122 lbs.	PA-24-60-2	138 lbs.
72"	PA-18-72-2	152 lbs.	PA-24-72-2	170 lbs.
84"	PA-18-84-2	176 lbs.	PA-24-84-2	200 lbs.
96"	PA-18-96-2	232 lbs.	PA-24-96-2	256 lbs.
108"	PA-18-108-2	252 lbs.	PA-24-108-2	280 lbs.
120"	PA-18-120-2	280 lbs.	PA-24-120-2	306 lbs.
132"	PA-18-132-2	300 lbs.	PA-24-132-2	336 lbs.
144"	PA-18-144-2	330 lbs.	PA-24-144-2	364 lbs.



Customer Service Available To Assist You **1-800-645-3166** 8:30 am - 8:00 pm E.S.T.

Email Orders To: customer@advancetabco.com. For Smart Fabrication™ Quotes, Email To: smartfab@advancetabco.com or Fax To: 631-586-2933

NEW YORK
Fax: (631) 242-6900

GEORGIA
Fax: (770) 775-5625

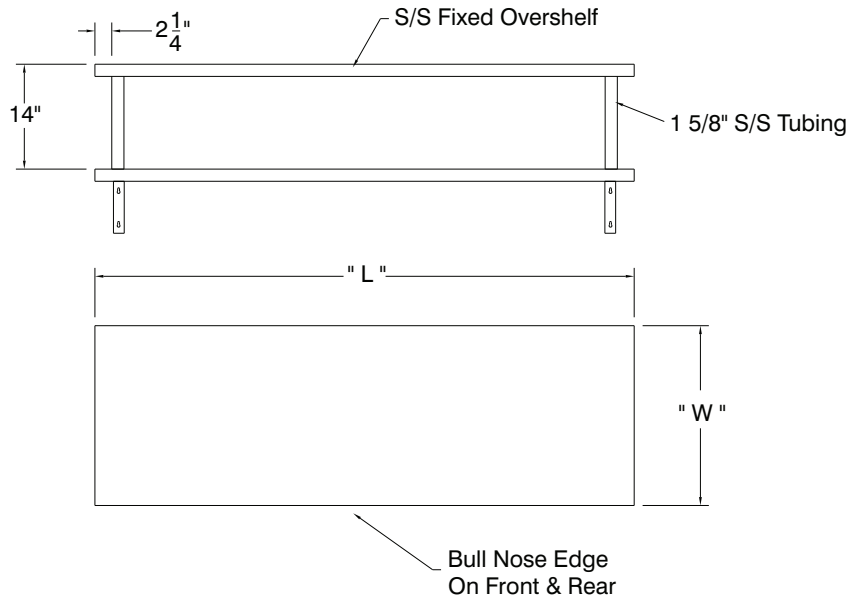
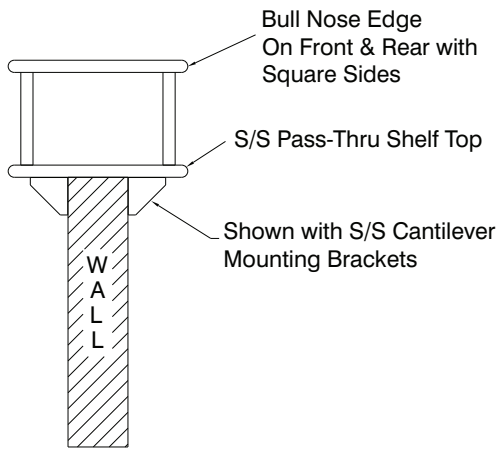
TEXAS
Fax: (972) 932-4795

NEVADA
Fax: (775) 972-1578

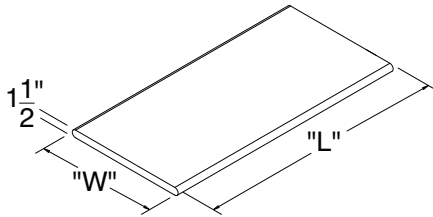
DETAILS and SPECIFICATIONS

TOL ± .500"

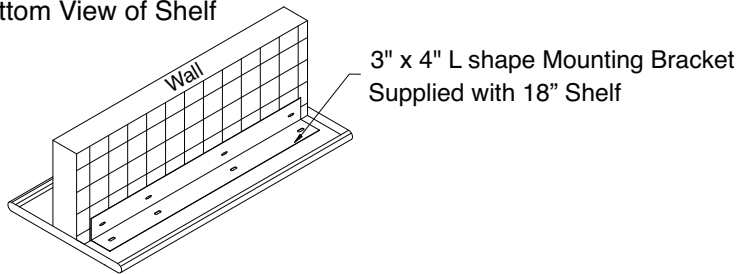
ALL DIMENSIONS ARE TYPICAL



Top View of Shelf

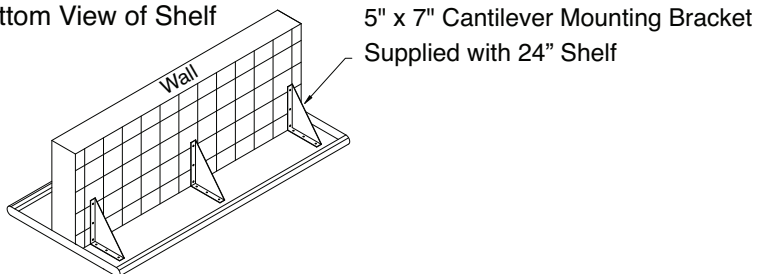


Bottom View of Shelf



"L" Bracket Detail

Bottom View of Shelf



Cantilever Bracket Detail

