

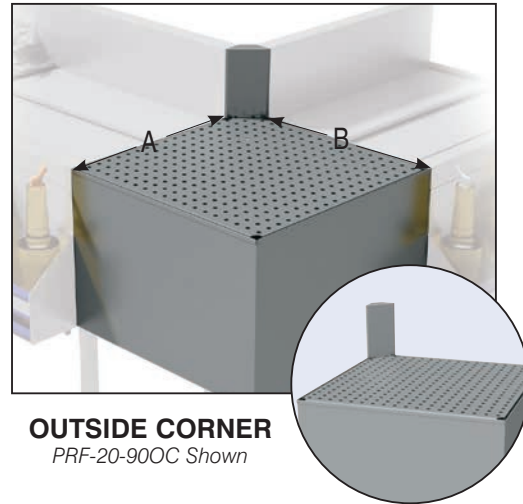
Item #: _____ Qty #: _____

Model #: _____

Project #: _____



INSIDE CORNER
PRF-20-90IC Shown



OUTSIDE CORNER
PRF-20-90OC Shown

FEATURES:

- 7" High X 1-3/4" Thick Backsplash.
- Must be Bolted to existing line-up equipment.
- Removable perforated drainboard top.
- Can be used on left or right side.

MECHANICAL:

- 1" IPS drain.
- Removable perforated drainboard top.

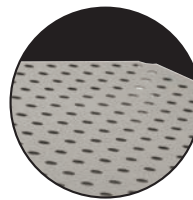
MATERIAL:

- 20 gauge, 300 stainless steel.
- Drainboard:** 18 gauge, 300 stainless steel.

Model #	Size (A) x (B)	Approx. Weight	Approx. Cu. Ft.
PRF-20-90IC or OC*	20" x 20"	82 lbs.	16
PRF-25-90IC or OC*	25" x 25"	84 lbs.	16

* IC = Inside Corner OC = Outside Corner

PLEASE NOTE: FILLERS BUILT TO ORDER & CAN NOT BE RETURNED



**Removable Perforated
Drainboard Top Included**

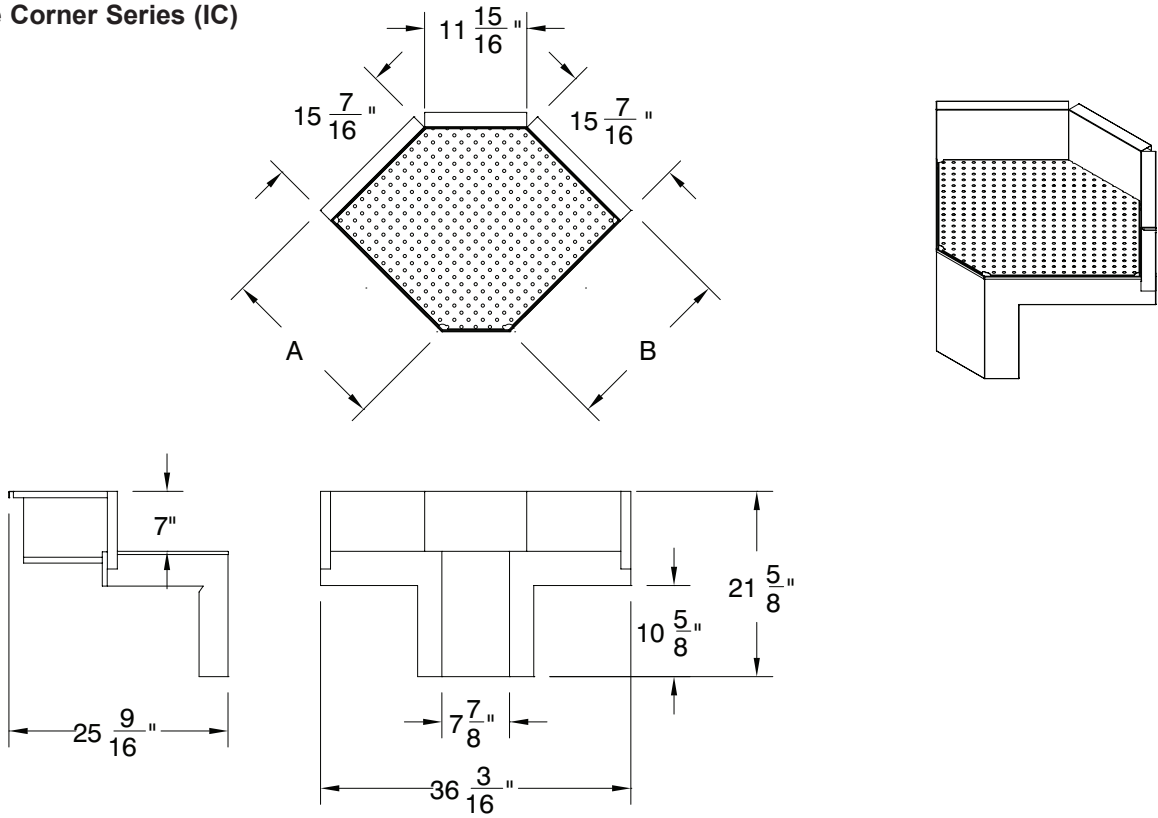
OPTIONAL STAINLESS STEEL LEGS W/ ADJUSTABLE STAINLESS STEEL BULLET FEET & CUSTOM SIZES AVAILABLE
Consult Factory For Details

DIMENSIONS and SPECIFICATIONS

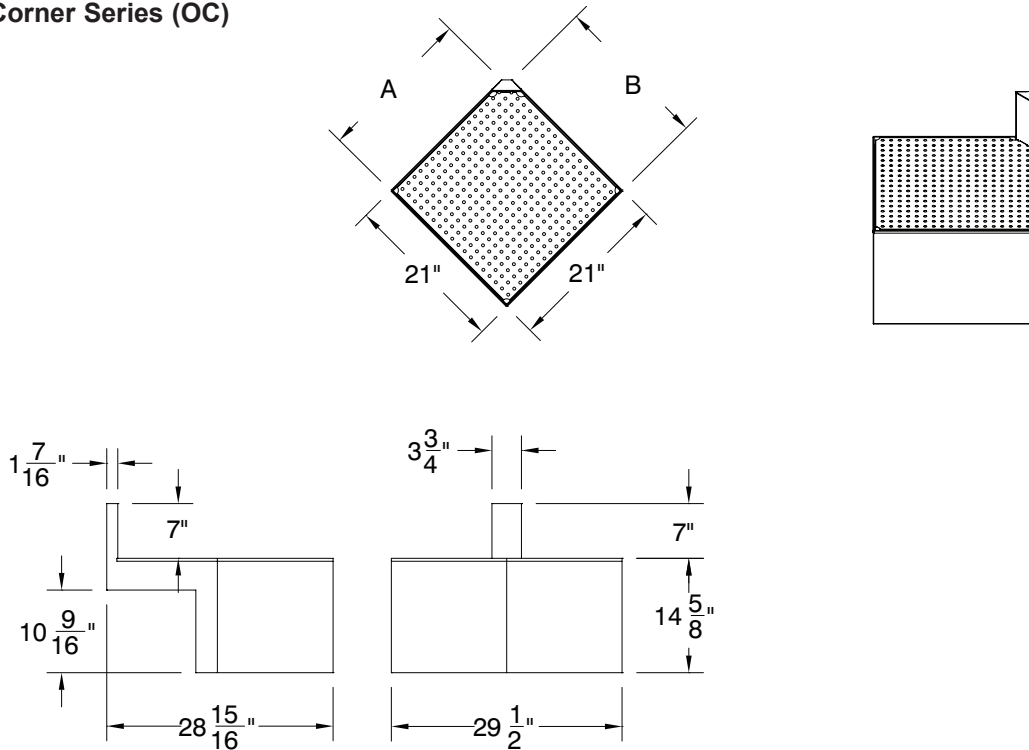
TOL Overall: ± .500" Interior: ± .250"

ALL DIMENSIONS ARE TYPICAL

PRF Inside Corner Series (IC)



PRF Inside Corner Series (OC)



ADVANCE TABCO is constantly engaged in a program of improving our products. Therefore, we reserve the right to change specifications without prior notice.