



# DELUXE AND BUDGET DRAWERS



- Stainless Steel Front
- Ball Bearing Slides
- Removable Insert

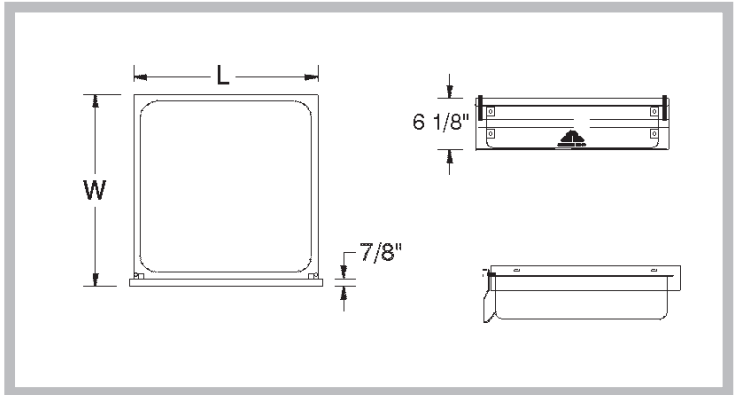
Item #: \_\_\_\_\_ Qty #: \_\_\_\_\_  
 Model #: \_\_\_\_\_  
 Project #: \_\_\_\_\_

## DELUXE SERIES DRAWERS DETAILS and SPECIFICATIONS

TOL ± .500"

ALL DIMENSIONS ARE TYPICAL

MODEL #	Type	Length	Width	Insert
SS-2015	Stainless Steel	21 1/2"	17 3/4"	20" x 15" x 5"
GZ-2015	Galvanized	21 1/2"	17 3/4"	20" x 15" x 5"
SS-2020	Stainless Steel	21 1/2"	22 3/4"	20" x 20" x 5"
GZ-2020	Galvanized	21 1/2"	22 3/4"	20" x 20" x 5"
SS-1520	Stainless Steel	17 3/4"	21 1/2"	15" x 20" x 5"
GZ-1520	Galvanized	17 3/4"	21 1/2"	15" x 20" x 5"



**DELUXE AND BUDGET  
 DRAWER ACCESSORIES**

**Padlockable Drawer Lock** ..... TA-13  
 (Does not include lock. Fits padlocks up to 3/8" Dia. lock shaft)

**Keyed Drawer Lock** ..... TA-14  
 (Does not apply to Budget Drawers)

**Drawer Adapter/Non Catalog Tables**  
 (Specify table width) ..... TA-90



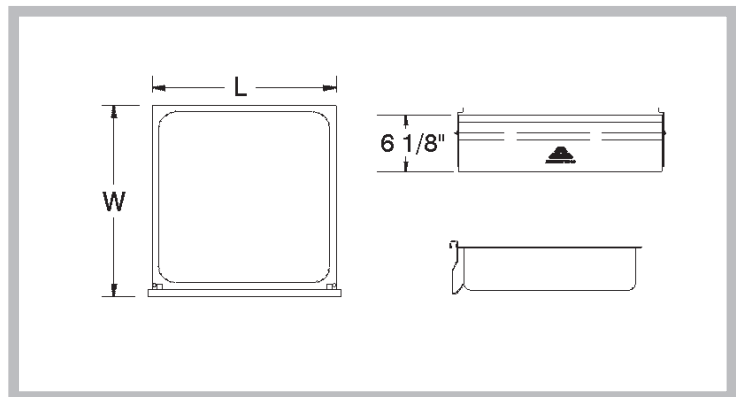
- Friction Slides
- Die Formed Handle

## BUDGET SERIES DRAWERS DETAILS and SPECIFICATIONS

TOL ± .500"

ALL DIMENSIONS ARE TYPICAL

MODEL #	Type	Length	Width	Insert
FS-2015	Stainless Steel	21 1/2"	17 3/4"	20" x 15" x 5"
FG-2015	Galvanized	21 1/2"	17 3/4"	20" x 15" x 5"
FS-2020	Stainless Steel	21 1/2"	22 3/4"	20" x 20" x 5"
FG-2020	Galvanized	21 1/2"	22 3/4"	20" x 20" x 5"
FS-1520	Stainless Steel	17 3/4"	21 1/2"	15" x 20" x 5"
FG-1520	Galvanized	17 3/4"	21 1/2"	15" x 20" x 5"



**Customer Service Available To Assist You 1-800-645-3166 8:30 am - 8:00 pm E.S.T.**  
 Email Orders To: customer@advancetabco.com. For Smart Fabrication™ Quotes, Email To: smartfab@advancetabco.com or Fax To: 631-586-2933

**NEW YORK**  
 Fax: (631) 242-6900

**GEORGIA**  
 Fax: (770) 775-5625

**TEXAS**  
 Fax: (972) 932-4795

**NEVADA**  
 Fax: (775) 972-1578