



Phoenix Heavy Duty Self Contained Refrigerator & Freezer Bases



Shown with Charbroiler and tall riser

OPTIONS AND ACCESSORIES (AT ADDITIONAL CHARGE)

- Cabinet Base Extensions, match height of refrigerator and freezer base
 - BPCBE-6, 6" wide cabinet extension
 - BPCBE-12, 12" wide cabinet extension
 - BPCBE-18, 18" wide cabinet extension
 - BPCBE-24, 24" wide cabinet extension
 - 6" casters, front two locking

Project _____

Item No. _____

Quantity _____

Refrigerator Bases

- Model BPRLH-02S-T-36 - 36" wide two drawer refrigerator base
- Model BPRLH-02S-T-48 - 48" wide two drawer refrigerator base
- Model BPRLH-04S-T-72 - 72" wide four drawer refrigerator base
- Model BPRLH-04S-T-84 - 84" wide four drawer refrigerator base
- Model BPRLH-06S-T-102 - 102" wide six drawer refrigerator base
- Model BPRLH-06S-T-114 - 114" wide six drawer refrigerator base

Freezer Bases

- Model BPFLH-02S-T-48 - 48" wide two drawer freezer base
- Model BPFLH-04S-T-72 - 72" wide four drawer freezer base
- Model BPFLH-04S-T-84 - 84" wide four drawer freezer base

STANDARD FEATURES (All models)

- Stainless steel cabinet interiors, front, face and sides
- Drawers and cabinet are 100% polyurethane "Shot-In-Place" foam insulated
- Drawer faces have flush mount pull handle. Face and back to be stainless steel
- Self closing drawers have 14 gauge stainless steel track, with 2" heavy duty skate wheel
- Heavy duty rubber drawer gaskets
- 6' cord and plug, 115 VAC
- Drawers to be easily removable for cleaning
- Drawers to accommodate 6" deep 12" x 20" hotel pans
- Specially designed high density breaker strips installed during the foaming process, without any visible fasteners
- Face mounted dial thermometers
- Condensing unit uses R-404 refrigerant unless otherwise specified
- Blower coil evaporator with R-404 expansion valve
- Internal conduit for single point electrical connection
- Built in condensate evaporator
- Sleeves for refrigeration and drain lines
- Stainless steel 6" adjustable legs
- Warranty: two year parts and one year labor warranty

PHOENIX SELF CONTAINED REFRIGERATORS & FREEZERS



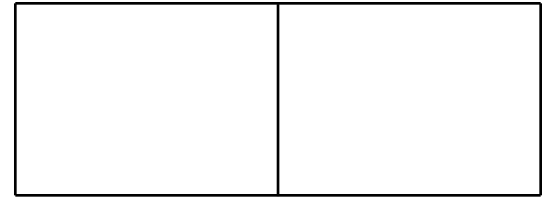
BLODGETT

www.blodgett.com

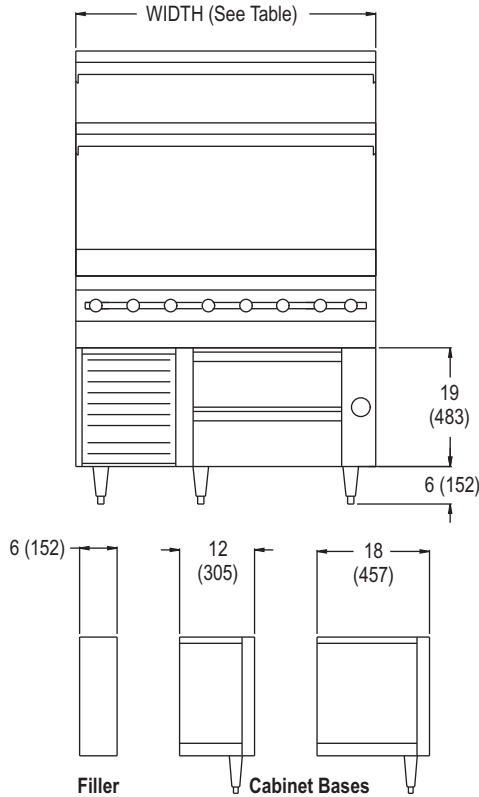
44 Lakeside Avenue, Burlington, VT 05401 • Phone: (802) 658-6600 • Fax: (802) 864-0183



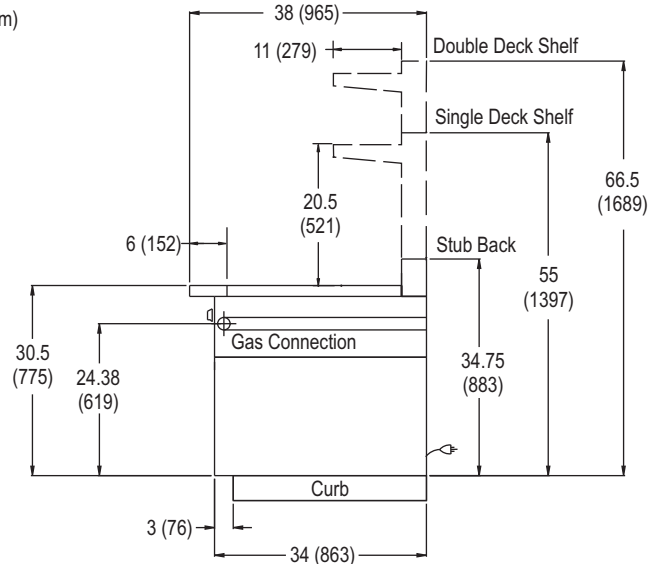
PHOENIX SELF CONTAINED REFRIGERATORS & FREEZERS



APPROVAL/STAMP



FRONT VIEWS



SIDE VIEW

SHORT FORM SPECIFICATIONS

Provide Blodgett heavy duty self contained refrigerator and freezer base. Cabinet interior, front face, drawers and sides to be stainless steel. Balance to be galvanized steel. Drawers and cabinet to be 100% polyurethane "Shot-In-Place" foam insulated. Provide easily removable self closing drawers to accommodate 6" deep 12" x 20" hotel pans and 14 gauge stainless steel track, with 2" heavy duty skate wheels. Include heavy duty rubber drawer gaskets, 6' cord and plug 115 VAC, face mounted dial thermometers, condensing unit with R-404 refrigerant, blower coil evaporator with expansion valve. Provide builtin condensate evaporator, internal conduit for single point electrical connection. Include sleeves for refrigeration and drain lines. Supply stainless steel adjustable 6" legs. Two year parts and one year labor warranty. Provide options and accessories as indicated.

UTILITY INFORMATION

MODEL	Amps	ELECTRIC: 115VAC, 60 HZ, 1 phase
REFRIGERATOR BASES		
BPRLH-02S-T-36	12.6	
BPRLH-02S-T-48	12.6	
BPRLH-04S-T-72	12.6	
BPRLH-04S-T-84	12.6	
BPRLH-06S-T-102	13.2	
BPRLH-06S-T-114	13.2	
FREEZER BASES		
BPFLH-02S-T-48	10.6	
BPFLH-04S-T-72	10.7	
BPFLH-04S-T-84	11.8	

MODEL	CU FT	WIDTH	DEPTH	HEIGHT	SHIPPING WEIGHT
REFRIGERATOR BASES					
BPRLH-02S-T-36	3	36"	34"	19-1/4"	300 lbs (136 kg)
BPRLH-02S-T-48	6	48"			350 lbs (159 kg)
BPRLH-04S-T-72	11.2	72"			500 lbs (227 kg)
BPRLH-04S-T-84	13.4	84"			550 lbs (249 kg)
BPRLH-06S-T-102	18	102"			675 lbs (306 kg)
BPRLH-06S-T-114	20.1	114"			750 lbs (340 kg)
FREEZER BASES					
BPFLH-02S-T-48	6	48"	34"	19-1/4"	350 lbs (159 kg)
BPFLH-04S-T-72	11.2	72"			500 lbs (227 kg)
BPFLH-04S-T-84	13.4	84"			550 lbs (250 kg)

NOTE: The company reserves the right to make substitutions of components without prior notice

BLODGETT

www.blodgett.com 44 Lakeside Avenue, Burlington, VT 05401 • Phone: (802) 658-6600 • Fax: (802) 864-0183