



DIRECT STEAM PEDESTAL KETTLE



SPECIFICATIONS:

Shall be a Crown Model _____, direct steam connected, pedestal base kettle. A double wall kettle interior shall form a steam jacket around the lower 2/3 of the kettle. The bottom of the kettle shall be of hemispherical design for superior heat circulation. Construction shall be all welded, satin finish, stainless steel, type 304. The kettle interior on 20, 30 and 40 gallon models shall be standard stainless steel, type 316 for high acid content cooking. Kettle shall be mounted on stainless steel pedestal base with four 7/16" holes evenly spaced for securing to the floor.

Convenience features shall include a 2" (50 mm) sanitary draw-off valve with perforated strainer, hinged counterbalanced stainless steel cover on 20, 30 and 40 gallon models and on 60, 80 and 100 gallon models a spring assist hinged stainless steel cover. Faucet bracket included.

MODEL	CAPACITY	
DP-20	20 Gallon	76 Liter
DP-30	30 Gallon	114 Liter
DP-40	40 Gallon	152 Liter
DP-60	60 Gallon	227 Liter
DP-80	80 Gallon	303 Liter
DP-100	100 Gallon	379 Liter

OPERATION SHALL BE BY:

Direct steam at a minimum of 5 PSI (34 kPa) and a maximum of 35 PSI (241 kPa).

OPTIONAL ITEMS AT EXTRA COST:

- Type 316 stainless steel liner for high acid content cooking on 60, 80 and 100 gallon models.
- 50 PSI (345 kPa) high pressure operation for high cooking temperature
- 3" (76 mm) draw-off valve (TVT-3) with perforated strainer (TPS-)
- 2" (50 mm) dairy valve (DDO-2T)
- 3" (76 mm) dairy valve (DDO-3T)
- Spring assist hinged cover for 20, 30 or 40 gallon models (CH-)
- Etched gallon markings (GM-)
- Etched litre markings (LM-)
- Single pantry faucet with swing spout (SF-12)
- Double pantry faucet with swing spout (DF-12)
- Two piece hinged stainless steel cover (2PHC-)
- Correctional package

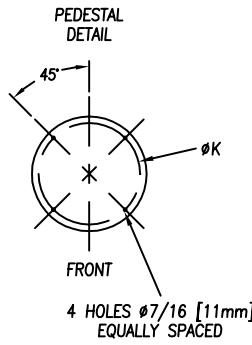
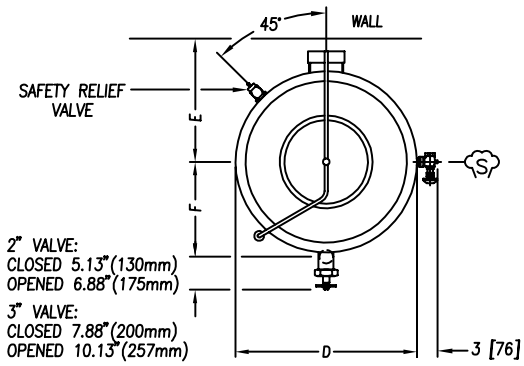
ACCESSORIES:

- Triple basket assembly (TBA-)
- Perforated strainer for draw-off valve (TPS-)
- Solid stainless steel disc for draw-off valve (TSS-)
- Strainer hook (SH)
- Graduated measuring strip (CMS-)
- Pressure reducing valve (PRV-)
- Steam trap assembly consisting of steam trap, steam control valve, check valve and line strainer (STA-1)

Job _____
Item# _____

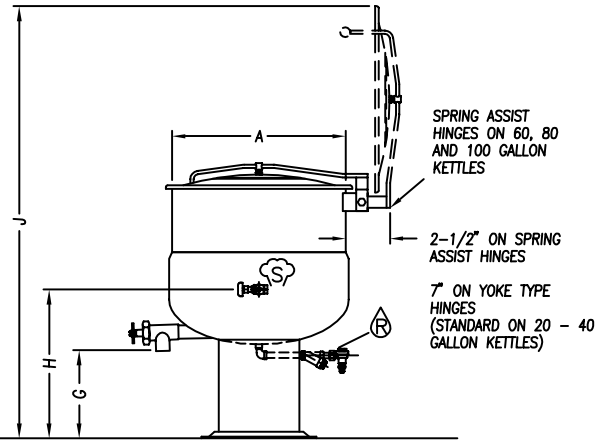
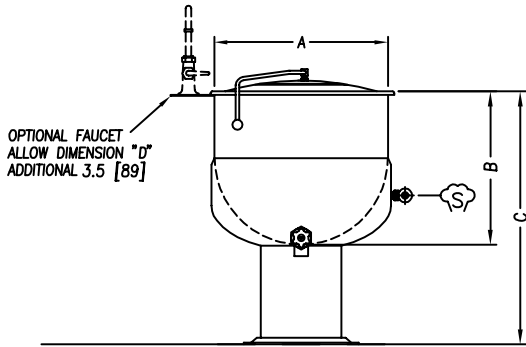


Models: DP-20 DP-30 DP-40 DP-60 DP-80 DP-100



MODEL	SHIPPING WEIGHT	MINIMUM CLEARANCE	
DP-20	155 lbs. [70 kg]	SIDES	3" [76 mm]
DP-30	180 lbs. [82 kg]		
DP-40	190 lbs. [86 kg]		
DP-60	265 lbs. [120 kg]	BACK	0.5" [13 mm]
DP-80	308 lbs. [140 kg]		
DP-100	360 lbs. [163 kg]		

YOKE TYPE HINGES MINIMUM CLEARANCE		
MODEL	SIDES	BACK
DP-20	3" [76 mm]	5" [127 mm]
DP-30	3" [76 mm]	5" [127 mm]
DP-40	3" [76 mm]	5" [127 mm]
DP-60	3" [76 mm]	5" [127 mm]
DP-80	3" [76 mm]	6" [152 mm]
DP-100	3" [76 mm]	6" [152 mm]



DIMENSIONS

MODEL	CAPACITY	UNITS	A	B	C	D	E	F(2")	F(3")	G(2")	G(3")	H	J	K
DP-20	20 gallons (76 liters)	in (mm)	21" (533)	18" (457)	37" (940)	22.75" (578)	13.75" (349)	14.25" (362)	14.38" (365)	17" (432)	16.5" (419)	25.75" (654)	59.75" (1518)	16.63" (422)
DP-30	30 gallons (114 liters)	in (mm)	24" (610)	20" (508)	37" (940)	25.88" (657)	15.25" (387)	15.38" (391)	16.38" (416)	15" (381)	14.5" (368)	26.25" (667)	62.88" (1597)	16.63" (422)
DP-40	40 gallons (152 liters)	in (mm)	26" (660)	22.5" (572)	37" (940)	27.88" (708)	16.38" (416)	16.13" (410)	17.38" (441)	12.5" (318)	12" (305)	23.75" (603)	64.88" (1648)	16.63" (422)
DP-60	60 gallons (227 liters)	in (mm)	29.5" (749)	26" (660)	40.5" (1029)	31.38" (822)	18.13" (460)	17.63" (448)	19.13" (486)	12.5" (318)	12" (305)	24.63" (625)	72.88" (1851)	16.63" (422)
DP-80	80 gallons (303 liters)	in (mm)	33" (838)	28" (711)	42.5" (1080)	34.75" (883)	19.88" (505)	19.38" (492)	19.13" (486)	12.5" (318)	12" (305)	25.75" (654)	76.63" (1946)	19.63" (498)
DP-100	100 gallons (379 liters)	in (mm)	35.5" (902)	30" (762)	44.5" (1130)	37.25" (946)	21.13" (537)	20.13" (511)	19.13" (486)	12.5" (318)	12" (305)	26.5" (673)	81.75" (2076)	19.63" (498)

SERVICE CONNECTIONS

- STEAM SUPPLY: 3/4" IPS (19 mm) 5-35 PSI (34-241 kPa). Optional 5-50 PSI (34-345 kPa)*

- CONDENSATE RETURN: 1/2" IPS (13 mm)

* Pressure reducing valve is required if incoming pressure exceeds 50 PSI (345 kPa).

**INTENDED FOR COMMERCIAL USE ONLY.
NOT FOR HOUSEHOLD USE.**



70 Oakdale Road, Toronto ON, Canada M3N 1V9
(919) 762-1000 www.crownsteamgroup.com